

Features

- Solid brass construction
- Face plate with ADA compliant traditional cross handle
- ADA compliant traditional cross handle assembly and insert options for control valve
- Intended for use with Newport Brass rough valve(s) as specified (Required Accessory)

Codes / Standards Compliance

Meets or exceeds the following at date of manufacture:

- ASME A112.18.1/CSA B125.1
- IAPMO/cUPC
- IPC
- ADA
- ICC/ANSI A117.1
- ASSE 1016
- All applicable US Federal and State material regulations

Colors / Finishes

- 10B: Oil Rubbed Bronze
- 15: Polished Nickel
- 15S: Satin Nickel - PVD
- 26: Polished Chrome
- Other: Refer to the Newport Brass catalog for additional color/finish options.

**Tub or Shower Trim
(Less tub spout or showerhead, arm & flange)**

4-1644BP

Also 3-280A, 3-280B



4-1642BP



3-280A



3-280B

Specified Model

| Model | Description | Colors Finishes | | | | |
|----------|--|------------------------------|-----------------------------|------------------------------|-----------------------------|--------------------------------|
| 4-1644BP | Tub or Shower Trim (less tub spout, showerhead, arm & flange) | <input type="checkbox"/> 10B | <input type="checkbox"/> 15 | <input type="checkbox"/> 15S | <input type="checkbox"/> 26 | <input type="checkbox"/> Other |
| 3-280A | Shower System Control Valve Trim (Escutcheon/Handle, Arrow Insert) | <input type="checkbox"/> 10B | <input type="checkbox"/> 15 | <input type="checkbox"/> 15S | <input type="checkbox"/> 26 | <input type="checkbox"/> Other |
| 3-280B | Shower System Control Valve Trim (Escutcheon/Handle, Plain Insert) | <input type="checkbox"/> 10B | <input type="checkbox"/> 15 | <input type="checkbox"/> 15S | <input type="checkbox"/> 26 | <input type="checkbox"/> Other |

Required Accessory: Trim(s), above, and Rough Valve(s), below, must be specified.

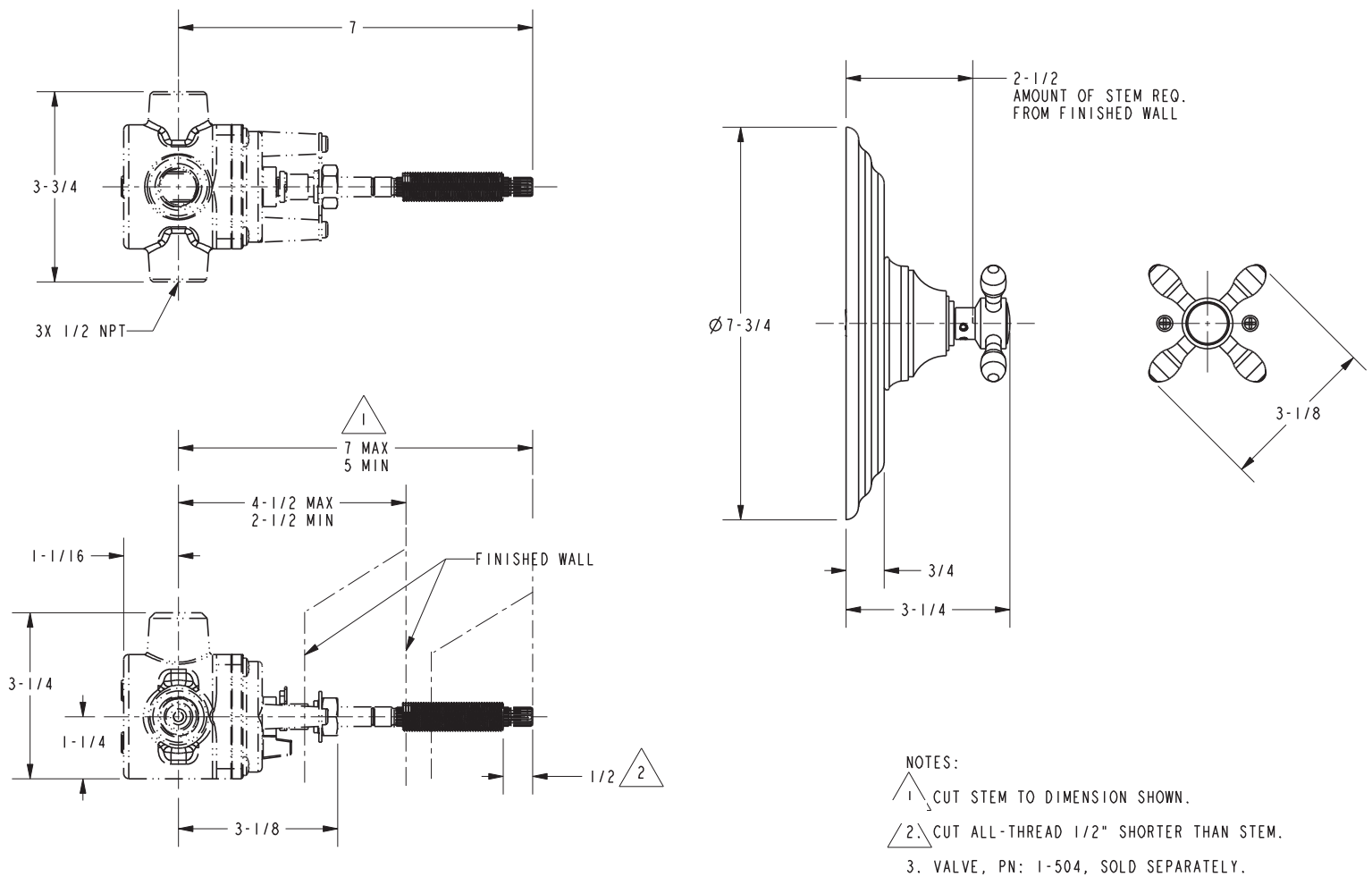
| Application | Shower (or Tub) Valve (Choose One) | | Control Valve |
|--------------------------|------------------------------------|--------------------------------|--------------------------------|
| Description | Balance Pressure (BP) | Balance Pressure (BP) | Diverter (3/4 Port) |
| Inlet/Outlet Size | 1/2" | 1/2" | 1/2" |
| Part Number | <input type="checkbox"/> 1-594 | <input type="checkbox"/> 1-684 | <input type="checkbox"/> 1-617 |
| Image | | | |

Product Specification: Add size designator and "Color / Finish" suffix to Model number, below.

The single-control Tub or Shower Trim (less tub spout or showerhead, arm & flange) shall be made of solid brass construction. Tub or Shower Trim shall include faceplate with ADA compliant handle. Shower System Control Valve Trim(s) (Escutcheon/Handle) shall be ADA compliant when used with specified Shower System Control Valve. Tub or Shower Trim (less tub spout or showerhead, arm & flange) shall be Newport Brass Model 4-1644BP/____ and single-control Tub or Shower rough valve shall be Newport Brass Model 1-____. [Optional Shower System Control Valve Trim (Escutcheon/Handle) shall be 3-280____/____ and Shower System Control Valve shall be 1-617].

4-1644BP

PRODUCT DIMENSIONS *(Units are in inches)*



Astaire Tub or Shower Trim 4-1644BP