

CUBE 2

Features

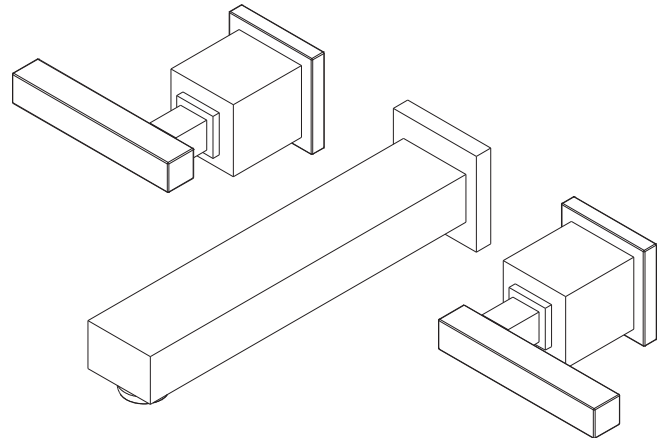
- Solid brass construction
- ADA compliant contemporary lever handles
- 7-3/8" (18.7 cm) spout reach (wall-to-center)
- 1/2" NPT spout inlet fitting
- Intended for use with Newport Brass rough valve as specified (Required Accessory)
- Rough valve incorporates a brass valve body assembly
- Rough valve incorporates quarter-turn washerless ceramic disc valve cartridges

Codes / Standards Compliance

Meets or exceeds the following at date of manufacture:

- ASME A112.18.1/CSA B125.1
- IAPMO/cUPC
- NSF 61
- IPC
- ADA
- ICC/ANSI A117.1
- Energy Policy Act of 1992
- All applicable US Federal and State material regulations
- EPA Watersense

Wall-Mounted Lavatory Faucet 3-2031



Colors / Finishes

- 15: Polished Nickel
- 15A: Antique Nickel
- 26: Polished Chrome
- 10B: Oil Rubbed Bronze
- Other: Refer to the Newport Brass catalog for additional color/finish options.

Specified Model

Model	Description	Colors / Finishes				
3-2031	Wall-Mounted Lavatory Faucet	<input type="checkbox"/> 15	<input type="checkbox"/> 15A	<input type="checkbox"/> 26	<input type="checkbox"/> 10B	<input type="checkbox"/> Other

Required Accessory:

Faucet, above, and Rough Valve, below, must both be specified.

Application	Tub Only Valve*	Wall Lavatory Valve	Tub Only Valve*	Wall Lavatory Valve
Description	2-Cartridge Assembly with 16pt Spline		2-Cartridge Assembly with 20pt Spline	
Inlet/Outlet Size	1/2"	1/2"	1/2"	1/2"
Part Number	<input type="checkbox"/> 1-500	<input type="checkbox"/> 1-532	<input type="checkbox"/> 1-564	<input type="checkbox"/> 1-560
Image				

Product Specification:

Add "Color / Finish" suffix to model number, below.

The Wall-Mounted Lavatory Faucet shall be made of solid brass construction. Wall-Mounted Lavatory Faucet shall incorporate ADA compliant lever handles and a 7-3/8" (18.7 cm) spout (wall-to-center) that incorporates a 1/2" NPT inlet fitting. Rough valve shall incorporate a brass valve body assembly and quarter-turn washerless ceramic disc valve cartridges. Wall-Mounted Lavatory Faucet shall be Newport Brass Model 3-2031/____ and Newport Brass rough valve shall be 1-532.

3-2031

Product Dimensions *(units are in inches)*

