

Air Gap Cap
3160-5751

Features

- Solid brass cap
- 2-5/8" (6.7 cm) height above deck
- 2" (5.1 cm) square base
- Complements Zemora product series

Codes / Standards Compliance

Meets or exceeds the following at date of manufacture:

- All applicable US Federal and State material regulations

Colors / Finishes

- 10B: Oil Rubbed Bronze
- 15: Polished Nickel
- 15S: Satin Nickel - PVD
- 26: Polished Chrome
- Other: Refer to the Newport Brass catalog for additional color/finish options.



Specified Model

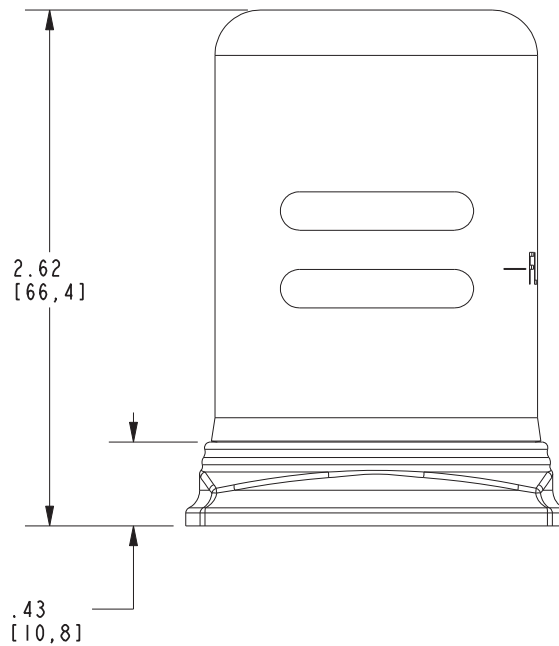
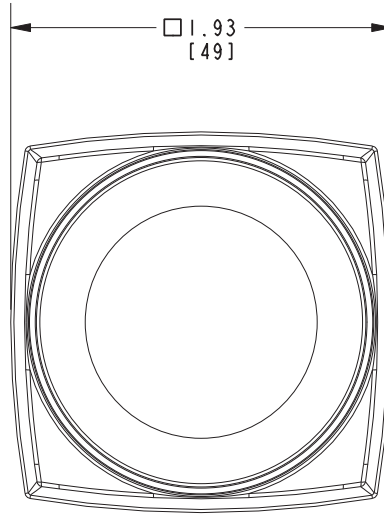
Model	Description	Colors Finishes
3160-5751	Air Gap Cap	<input type="checkbox"/> 10B <input type="checkbox"/> 15 <input type="checkbox"/> 15S <input type="checkbox"/> 26 <input type="checkbox"/> Other

Product Specification Add "Color / Finish" suffix to Model number, below.

The Air Gap Cap shall be made of solid brass construction. Product shall incorporate a 2-5/8" (6.7 cm) cap height and a 2" (5.1 cm) cap square base. Air Gap Cap shall be Newport Brass Model 3160-5751/_____.

3160-5751

PRODUCT DIMENSIONS *(Units are in inches)*



Zemora Air Gap Cap
3160-5751

NEWPORT BRASS
Flawless Beauty. From Faucet to Finish.™