

# NEWPORT BATH

## Features

- Solid brass construction
- Transitional styling
- Multi-function engine with 3 spray modes
- Rubber nozzles facilitate easy cleaning
- 1/2" NPT inlet pivot ball fitting
- 8" (20.3 cm) square showerhead
- 1.8 gallons (6.7 liters) per minute maximum flow rate

## Showerhead

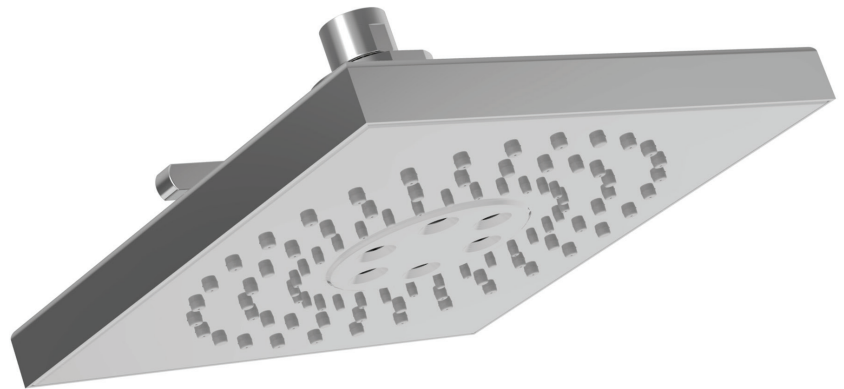
# 2159



## Codes / Standards Compliance

Meets or exceeds the following at date of manufacture:

- ASME A112.18.1/CSA B125.1
- IAPMO/cUPC
- IPC
- Energy Policy Act of 1992
- California Energy Commission (CEC)
- EPA Watersense
- All applicable US Federal and State material regulations



## Colors / Finishes

- 10B: Oil Rubbed Bronze
- 15: Polished Nickel
- 15S: Satin Nickel - PVD
- 26: Polished Chrome
- Other: Refer to the Newport Brass catalog for additional color/finish options.

## Specified Model

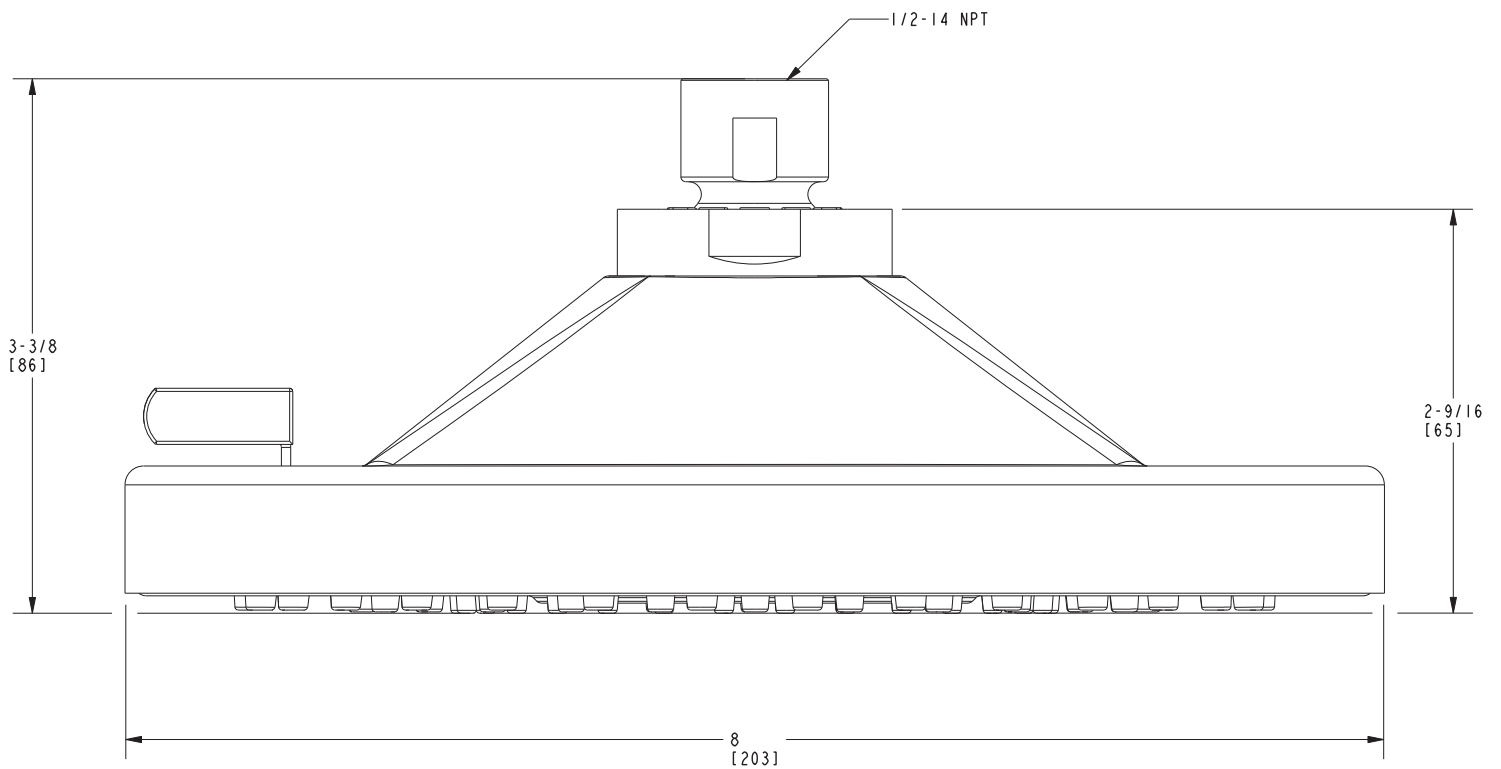
Model	Description	Colors   Finishes
2159	Showerhead	<input type="checkbox"/> 10B <input type="checkbox"/> 15 <input type="checkbox"/> 15S <input type="checkbox"/> 26 <input type="checkbox"/> Other

## Product Specification Add "Color / Finish" suffix to Model number, below.

The Showerhead shall be of solid brass construction while incorporating a non-metallic showerhead engine. Showerhead shall have a simulated rainfall shower pattern and incorporate rubber nozzles to facilitate easy cleaning. Showerhead shall have a 1/2" NPT inlet fitting and 8" (20.3 cm) showerhead diameter while operating at 1.8 gallons (6.7 liters) per minute maximum flow rate. Showerhead shall be Newport Brass Model 2159/\_\_\_\_\_.

# 2159

## PRODUCT DIMENSIONS *(Units are in inches)*



Newport Bath Showerhead  
**2159**

**NEWPORT BRASS**  
Flawless Beauty. From Faucet to Finish.™