

Features

- Solid brass construction
- Forged brass body with side-mounted handle
- Euro-motion ceramic disc 25 mm valve cartridge
- ADA compliant contemporary lever handle
- Spout assembly with integral supply hoses
- 6.86" (17.4 cm) spout height at outlet
- 6.14" (15.6 cm) spout reach (c-c)
- For single hole configurations
- 1.2 gallons (4.5 liters) per minute maximum flow rate

Codes / Standards Compliance

Meets or exceeds the following at date of manufacture:

- ASME A112.18.1/CSA B125.1
- IAPMO/cUPC
- IPC
- NSF 61
- NSF 372
- ADA
- ICC/ANSI A117.1
- Energy Policy Act of 1992
- EPA Watersense
- California Energy Commission (CEC)
- All applicable US Federal and State material regulations

Single Hole Lavatory Faucet

8203



Colors / Finishes

- 15: Polished Nickel
- 15S: Satin Nickel - PVD
- 26: Polished Chrome

Specified Model

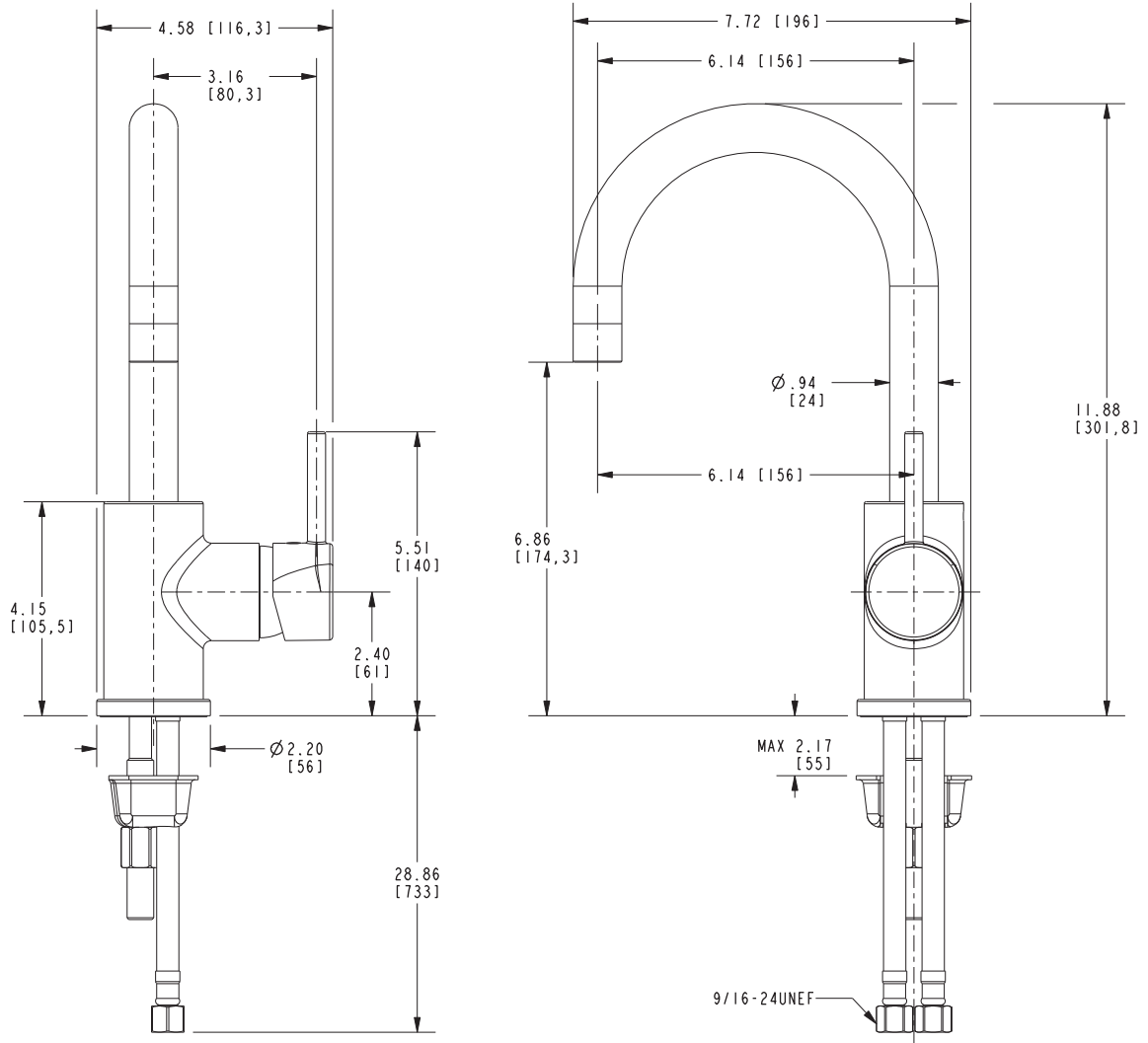
Model	Description	Colors Finishes
8203	Single Hole Lavatory Faucet	<input type="checkbox"/> 15 <input type="checkbox"/> 15S <input type="checkbox"/> 26

Product Specification Add "Length Indicator and Color / Finish" suffix to Model number, below.

The Single Hole Lavatory Faucet shall be made of solid brass construction. Faucet shall feature brass body with side-mounted Euro-motion ceramic disc 25 mm valve cartridge. Faucet shall have a 1.2 gallon (4.5 liter) per minute maximum flow rate. Product shall accommodate single hole configurations. Product shall incorporate a 6.86" (17.4 cm) spout height at outlet and a 6.14" (15.6 cm) spout reach (c-c). Faucet shall incorporate ADA compliant contemporary lever handle. Single Hole Lavatory Faucet shall be Newport Brass Model 8203/____ .

8203

PRODUCT DIMENSIONS *(Units are in inches)*



Newport 365 Bronwen Single Hole Lavatory Faucet
8203

NEWPORT BRASS
Flawless Beauty. From Faucet to Finish.™