

NEWPORT BATH

Wall Tub Spout **8-030**

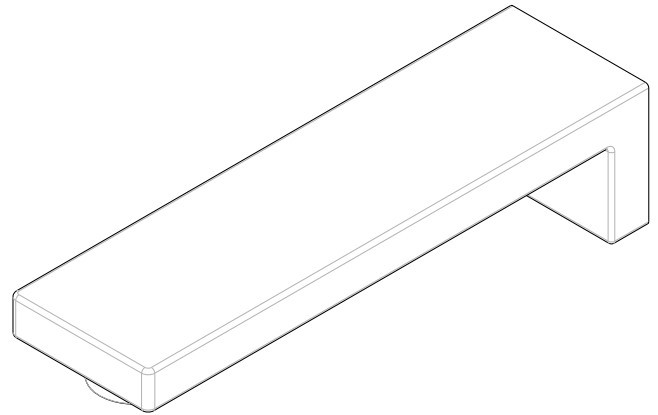
Features

- Solid brass construction
- 9" (22.9 cm) spout length
- 3/4" NPT inlet fitting

Codes / Standards Compliance

Meets or exceeds the following at date of manufacture:

- All applicable US Federal and State material regulations



Colors / Finishes

- 15: Polished Nickel
- 15S: Satin Nickel
- 26: Polished Chrome
- 10B: Oil Rubbed Bronze
- Other: Refer to the Ginger catalog for additional color/finish options.

Specified Model

Model	Description	Colors Finishes				
8-030	Wall Tub Spout	<input type="checkbox"/> 15	<input type="checkbox"/> 15S	<input type="checkbox"/> 26	<input type="checkbox"/> 10B	<input type="checkbox"/> Other

Product Specification: Add Length Indicator and/or "Color / Finish" Suffix to Model Number Below.

The Wall-Mounted Tub Spout shall be made of solid brass construction. Tub spout shall have a length of 9" (22.9 cm) and incorporate a 3/4" NPT inlet fitting. Tub Spout shall be Newport Brass Model 8-030/____.

8-030

Product Dimensions *(units are in inches)*

