

# KEATON

## Toilet Tissue Holder **36-28**

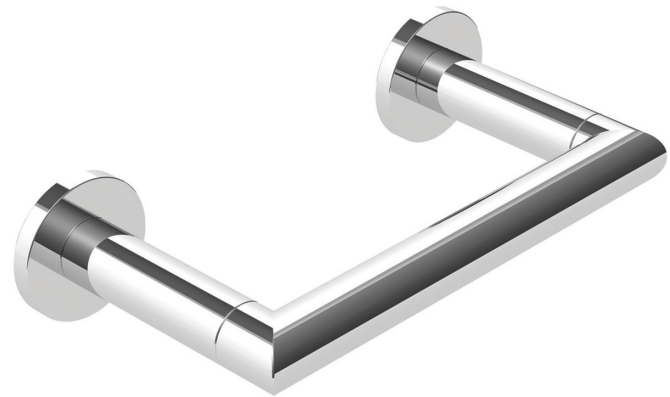
### Features

- Solid brass construction
- Double-post design with pivoting roller
- Complements Keaton product series

### Codes / Standards Compliance

Meets or exceeds the following at date of manufacture:

- All applicable US Federal and State material regulations



### Colors / Finishes

- 15: Polished Nickel
- 15S: Satin Nickel
- 26: Polished Chrome
- 10B: Oil Rubbed Bronze
- Other: Refer to the Newport Brass catalog for additional color/finish options.

### Specified Model

Model	Description	Colors   Finishes				
36-28	Toilet Tissue Holder	<input type="checkbox"/> 15	<input type="checkbox"/> 15S	<input type="checkbox"/> 26	<input type="checkbox"/> 10B	<input type="checkbox"/> Other

### Product Specification: Add "Color / Finish" Suffix to Model Number Below.

The Toilet Tissue Holder shall be made of solid brass construction and incorporate a double-post design utilizing a pivoting roller. Toilet Tissue Holder shall complement Newport Brass Keaton product series. Toilet Tissue Holder shall be Newport Brass Model 36-28/\_\_\_\_\_.

# 36-28

Product Dimensions (units are in inches)

