

Features

- Solid brass construction
- Temperature-adjust handle for thermostatic valve
- ADA compliant cross handle assembly for control valve
- Intended for use with Newport Brass rough valve(s) as specified (Required Accessory)

Thermostatic Shower System Trim

3-2984TR

Codes / Standards Compliance

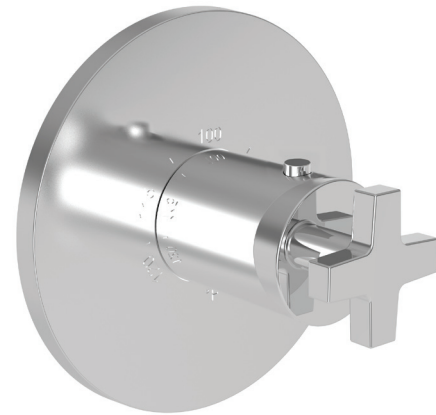
Meets or exceeds the following at date of manufacture:

- ASME A112.18.1/CSA B125.1
- IAPMO/cUPC
- IPC
- ADA
- ICC/ANSI A117.1
- ASSE 1016
- All applicable US Federal and State material regulations



Colors / Finishes

- 10B: Oil Rubbed Bronze
- 15: Polished Nickel
- 15S: Satin Nickel - PVD
- 26: Polished Chrome
- Other: Refer to the Newport Brass catalog for additional color/finish options.



Specified Model

Model	Description	Colors Finishes				
3-2984TR	Thermostatic Shower System Trim	<input type="checkbox"/> 10B	<input type="checkbox"/> 15	<input type="checkbox"/> 15S	<input type="checkbox"/> 26	<input type="checkbox"/> Other

Required Accessory:

Application	Shower System Valve	Shower System Control Valves (Choose One)				[Optional Valve Trim
Description	Thermostatic	Flow Control (CW Off)		Flow Control (CW Off)		Extension Kit]
Inlet/Outlet Size	3/4"	1/2"	3/4"	1/2"	3/4"	3/4"
Part Number	<input type="checkbox"/> 1-540	<input type="checkbox"/> 1-606H	<input type="checkbox"/> 1-607H	<input type="checkbox"/> 1-606HT	<input type="checkbox"/> 1-607HT	<input type="checkbox"/> 2-260
Image						

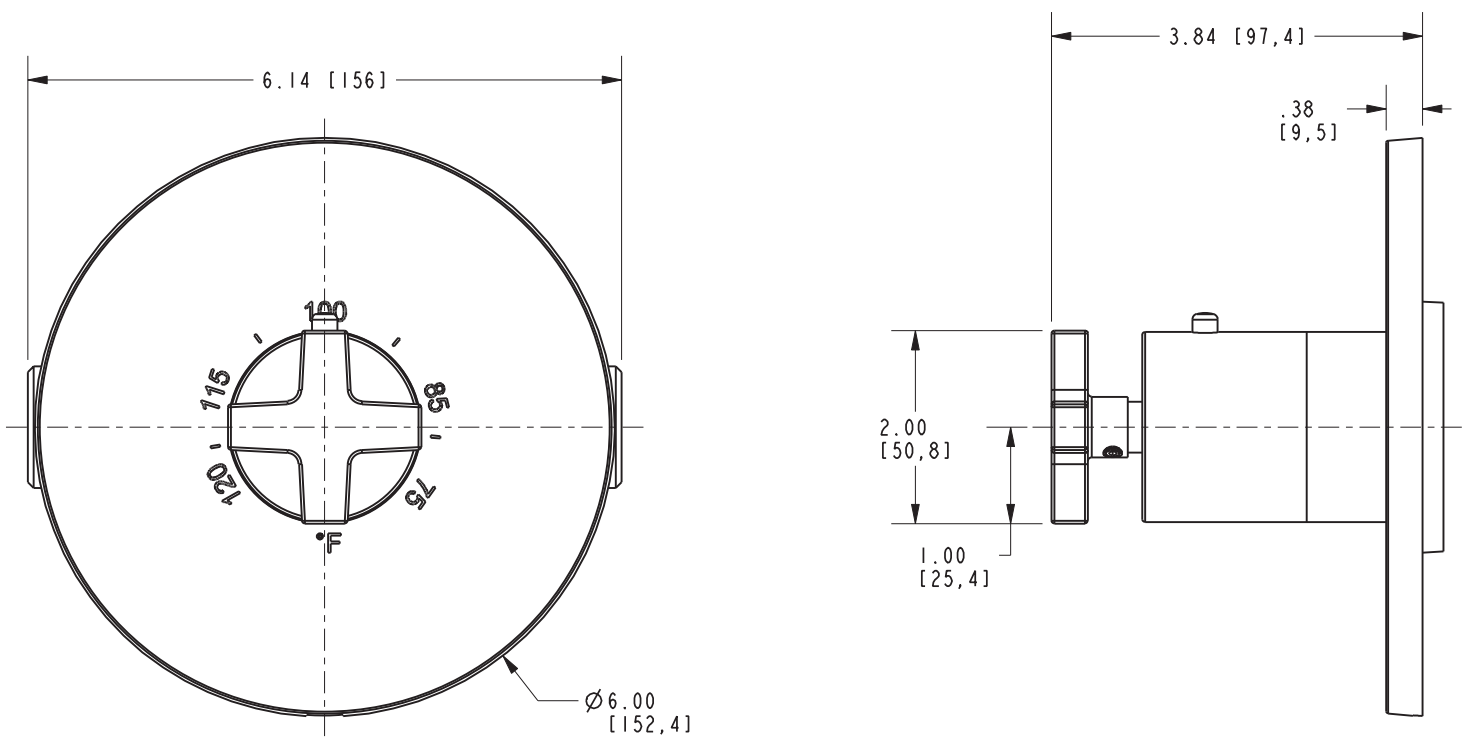
Note: The use of one 1-606H/HT or 1-607H/HT flow control valve and one 1-617 diverter valve can be configured to meet the requirements of CALGreen Bldg. Code (2010).

Product Specification: Add "Color / Finish" suffix to Model number, below.

The Thermostatic Shower System Trim shall be made of solid brass construction. Thermostatic Shower System Trim shall include a faceplate and temperature-adjust handle. Shower System Control Valve Trim(s) (Escutcheon/Handle) shall be ADA compliant when used with specified Shower System Control Valve(s). Thermostatic Shower System Trim shall be Newport Brass Model 3-2984TR/____ and Thermostatic Shower System Valve shall be Newport Brass Model 1-540. Shower System Control Valve Trim(s) (Handle/Escutcheon) shall be 3-573/____ (and 3-575/____) and Shower System Control Valve(s) shall be 1-60__H (and 1-60__H). [Optional Extension Kit for 3/4" Thermostatic Shower System Valve Trim shall be Newport Brass Model 2-260/ ____].

3-2984TR

PRODUCT DIMENSIONS *(Units are in inches)*



Dorrance Thermostatic Shower System Trim
3-2984TR