

Features

- Solid brass construction
- ADA compliant contemporary lever handles
- 8-5/16" (22.7 cm) spout reach (wall-to-center)
- 1/2" NPT spout inlet fitting
- Intended for use with Newport Brass rough valve as specified (Required Accessory)
- Rough valve incorporates a brass valve body assembly
- Rough valve incorporates quarter-turn washerless ceramic disc valve cartridges
- 1.2 gallons (4.5 liters) per minute maximum flow rate

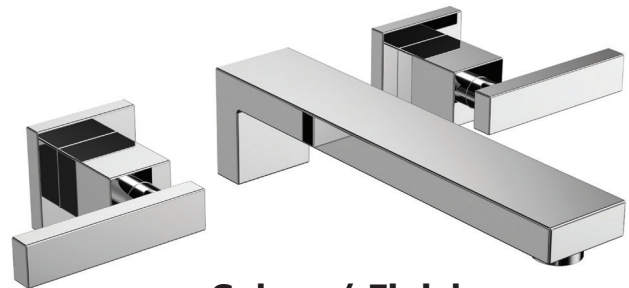
Codes / Standards Compliance

Meets or exceeds the following at date of manufacture:

- ASME A112.18.1/CSA B125.1
- IAPMO/cUPC
- IPC
- NSF 61
- ADA
- ICC/ANSI A117.1
- Energy Policy Act of 1992
- All applicable US Federal and State material regulations
- EPA WaterSense®

Wall-Mounted Lavatory Faucet

3-2561



Colors / Finishes

- 10B: Oil Rubbed Bronze
- 15: Polished Nickel
- 15S: Satin Nickel - PVD
- 26: Polished Chrome
- Other: Refer to the Newport Brass catalog for additional color/finish options.

Specified Model

Model	Description	Colors Finishes
3-2561	Wall-Mounted Lavatory Faucet	<input type="checkbox"/> 10B <input type="checkbox"/> 15 <input type="checkbox"/> 15S <input type="checkbox"/> 26 <input type="checkbox"/> Other

Application	Wall Lavatory Valve
Description	2-Cartridge Assembly
Inlet/Outlet	1/2"
Part Number	1-532T
Image	

Product Specification: Add "Color / Finish" suffix to Model number, below.

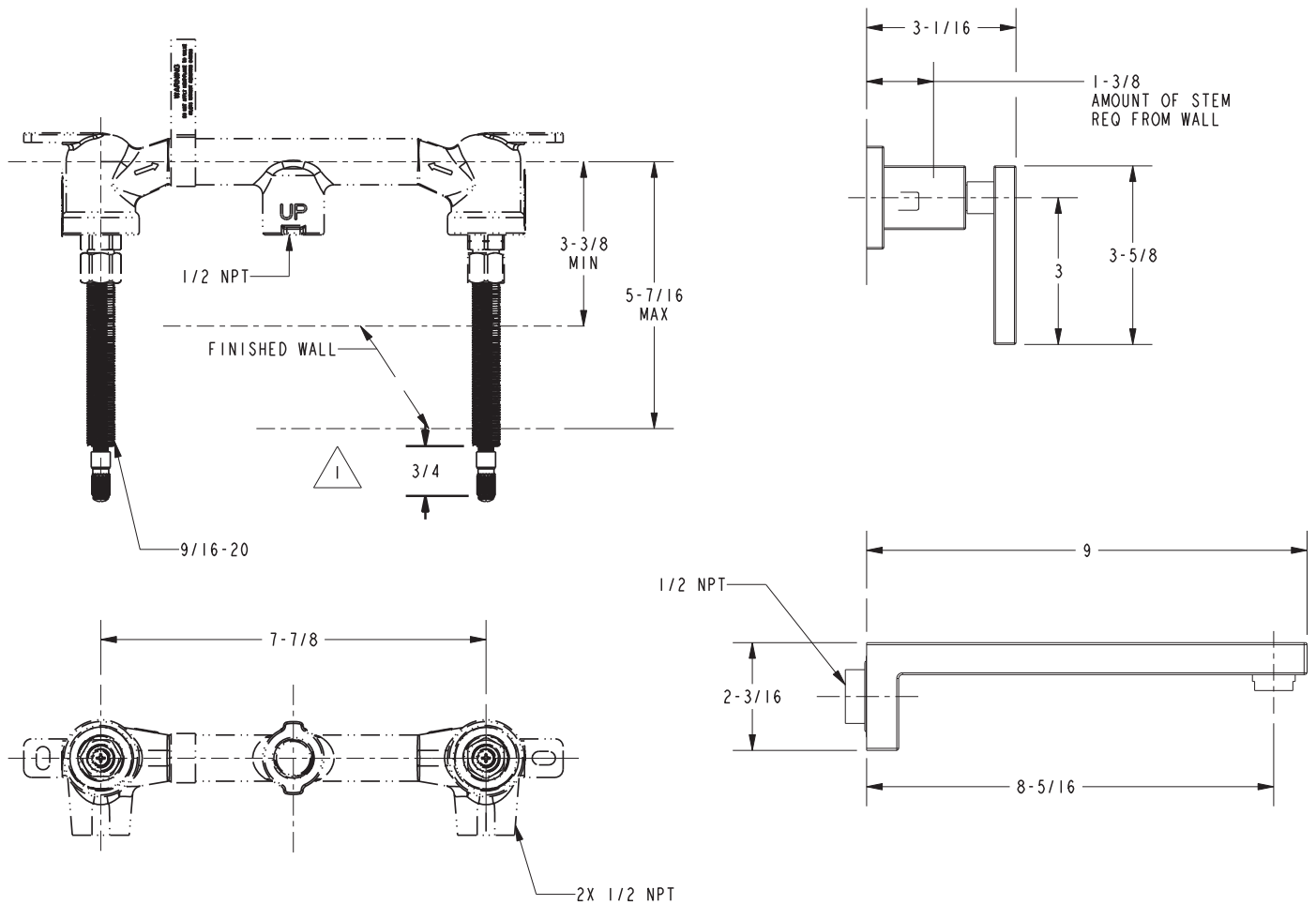
The Wall-Mounted Lavatory Faucet shall be made of solid brass construction. Wall-Mounted Lavatory Faucet shall incorporate ADA compliant lever handles and a 8-5/16" (21.1 cm) spout (wall-to-center) that incorporates a 1/2" NPT inlet fitting. Rough valve shall incorporate a brass valve body assembly and quarter-turn washerless ceramic disc valve cartridges. Wall-Mounted Lavatory Faucet shall be Newport Brass Model 3-2561/____ and Newport Brass rough valve shall be 1-532T.

3-2561

PRODUCT DIMENSIONS *(Units are in inches)*

NOTES:

- 1. CUT ALL THREADS 3/4" SHORTER THAN STEM



Skylar Wall-Mounted Lavatory Faucet 3-2561