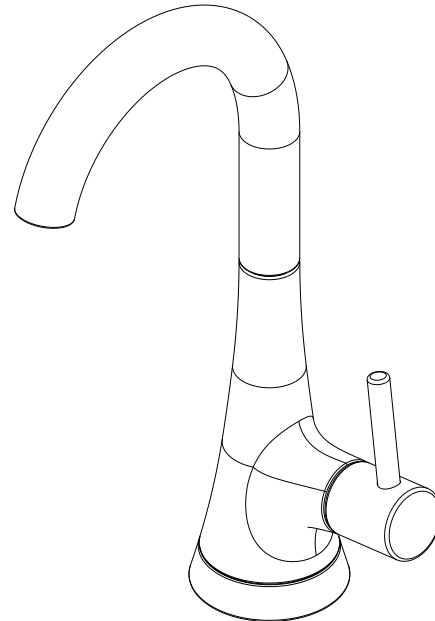
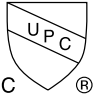


# VESPERA

## Cold Water Dispenser Faucet 2500-5623

### Features

- Solid brass construction
- Quarter-turn washerless ceramic disc valve cartridge
- ADA compliant traditional cold lever handle
- Spout assembly with integral supply hoses
- 7-7/16" (18.9 cm) spout height at outlet
- 3-15/16" (10.0 cm) spout reach (c-c)
- 1.5 gallons (5.7 liters) per minute maximum flow rate
- For single hole configurations



### Codes / Standards Compliance

Meets or exceeds the following at date of manufacture:

- ASME A112.18.1/CSA B125.1
- IAPMO/cUPC
- IPC
- NSF 61
- ADA
- Energy Policy Act of 1992
- All applicable US Federal and State material regulations

### Colors / Finishes

- 10B: Oil Rubbed Bronze
- 15: Polished Nickel
- 15A: Antique Nickel
- 26: Polished Chrome
- Other: Refer to the Newport Brass catalog for additional color/finish options.

### Specified Model

Model	Description	Colors / Finishes				
2500-5623	Cold Water Dispenser Faucet	<input type="checkbox"/> 15	<input type="checkbox"/> 15A	<input type="checkbox"/> 26	<input type="checkbox"/> 10B	<input type="checkbox"/> Other
6-xxx	Integrated Air Gap Base *	<input type="checkbox"/> 15	<input type="checkbox"/> 15A	<input type="checkbox"/> 26	<input type="checkbox"/> 10B	<input type="checkbox"/> Other

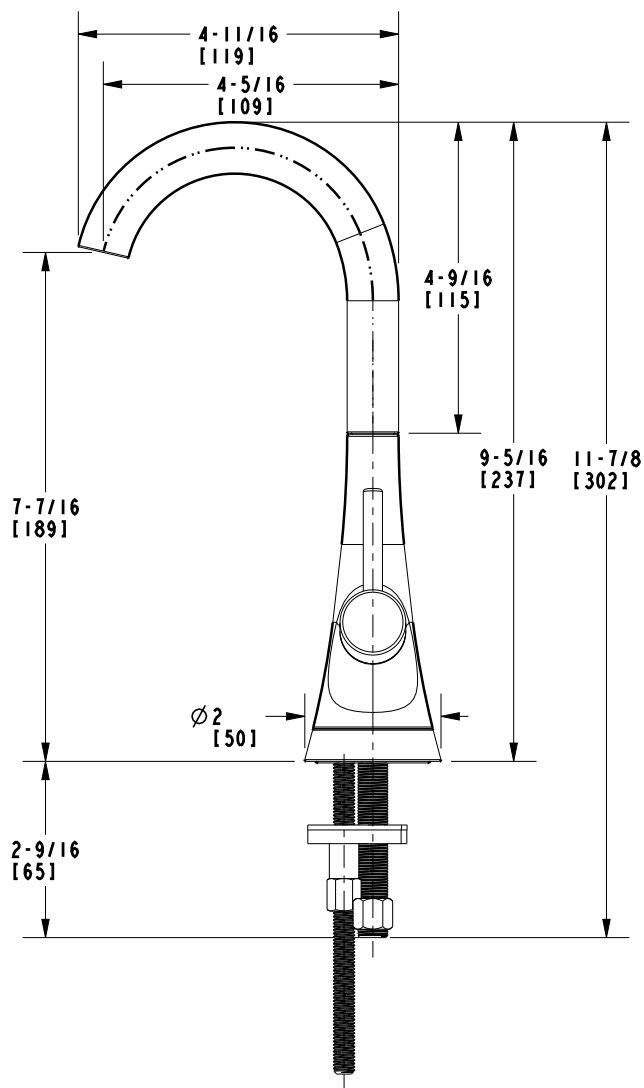
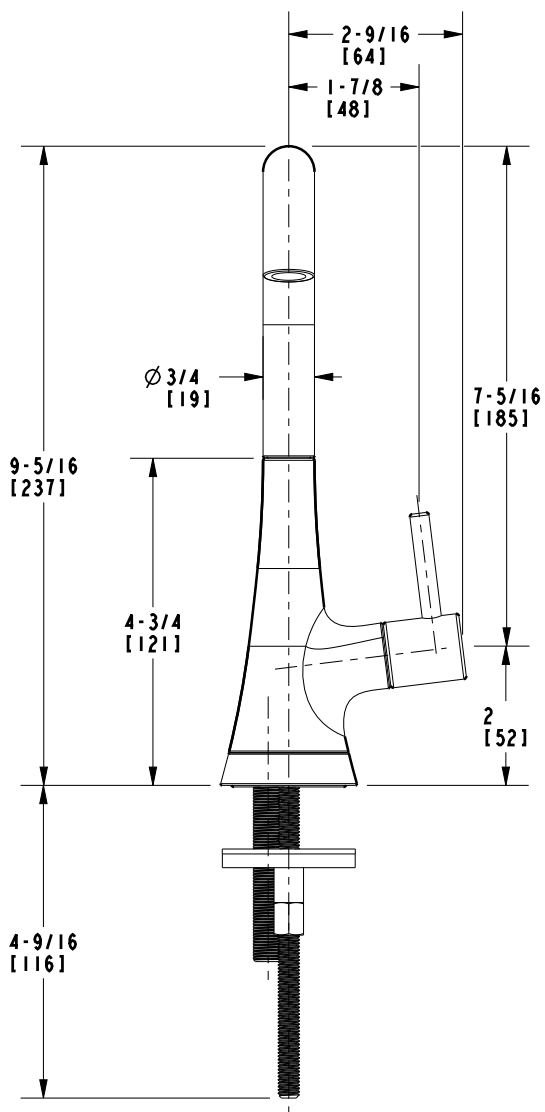
\* Note: The use of an air gap is required for dispenser faucets drawing from a reverse osmosis filtration system. The Integrated Air Gap Base (6-xxx) affords the functionality of a separate air gap within the design of the product as depicted. Failure to specify the Integrated Air Gap Base (6-xxx) will result in a product constructed using the standard base (no internal air gap).

### Product Specification:

Add "Color / Finish" suffix to Model number, below.

The Cold Water Dispenser Faucet shall be made of solid brass construction. Faucet shall incorporate a spout assembly with integral supply hoses and feature a quarter-turn washerless ceramic disc valve cartridge. Faucet shall incorporate an ADA compliant contemporary cold lever handle. Cold Water Dispenser Faucet shall have a 1.5 gallons (5.7 liters) per minute maximum flow rate and accommodate single hole configurations. Product shall incorporate a 7-7/16" (18.9 cm) spout height at outlet and a 3-15/16" (10.0 cm) spout reach (c-c). Cold Water Dispenser Faucet shall be Newport Brass Model 2500-5623/\_\_\_\_\_. [Integrated Air Gap Base shall be Newport Brass Model 6-xxx].

**Product Dimensions** (units are in inches)



**Vespera Cold Water Dispenser Faucet**  
**2500-5623**