

METROPOLE

Vessel Sink / Bar Faucet **1203-1**

Features

- Solid brass construction
- Spout assembly with integral supply hoses
- Euro-motion ceramic disc 25 mm valve cartridge
- ADA compliant traditional lever handle
- Spout assembly with integral supply hoses
- 7-1/2" (19.1 cm) spout height at outlet
- 5-9/16" (14.1 cm) spout reach (c-c)
- For single hole configurations
- 1.2 gallons (4.5 liters) per minute maximum flow rate

Codes / Standards Compliance

Meets or exceeds the following at date of manufacture:

- ASME A112.18.1/CSA B125.1
- IAPMO/cUPC
- IPC
- NSF 61
- ADA
- ICC/ANSI A117.1
- Energy Policy Act of 1992
- All applicable US Federal and State material regulations
- EPA Watersense



Colors / Finishes

- 10B: Oil Rubbed Bronze
- 15: Polished Nickel
- 15S: Satin Nickel - PVD
- 26: Polished Chrome
- Other: Refer to the Newport Brass catalog for additional color/finish options.

Specified Model

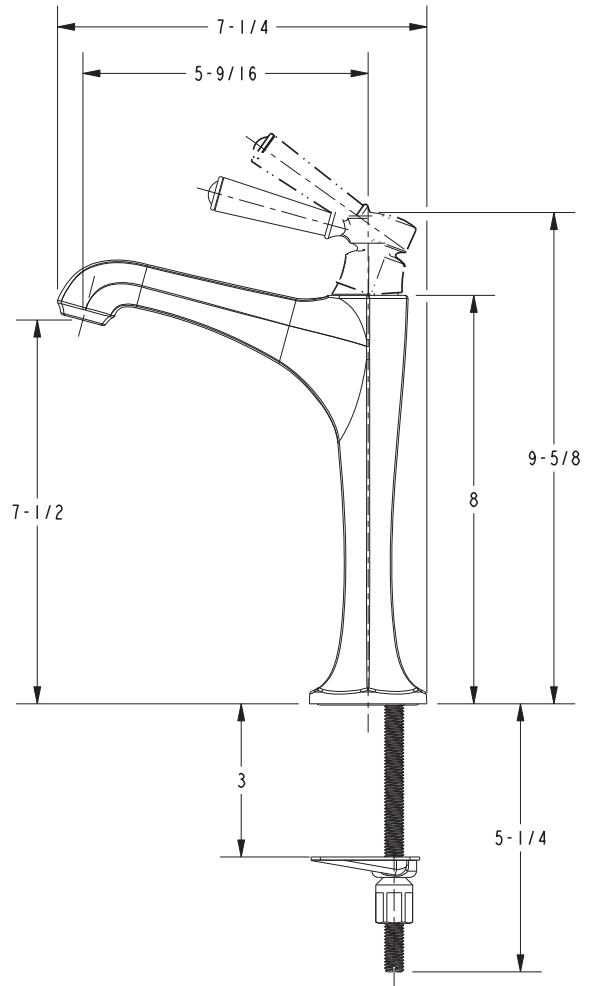
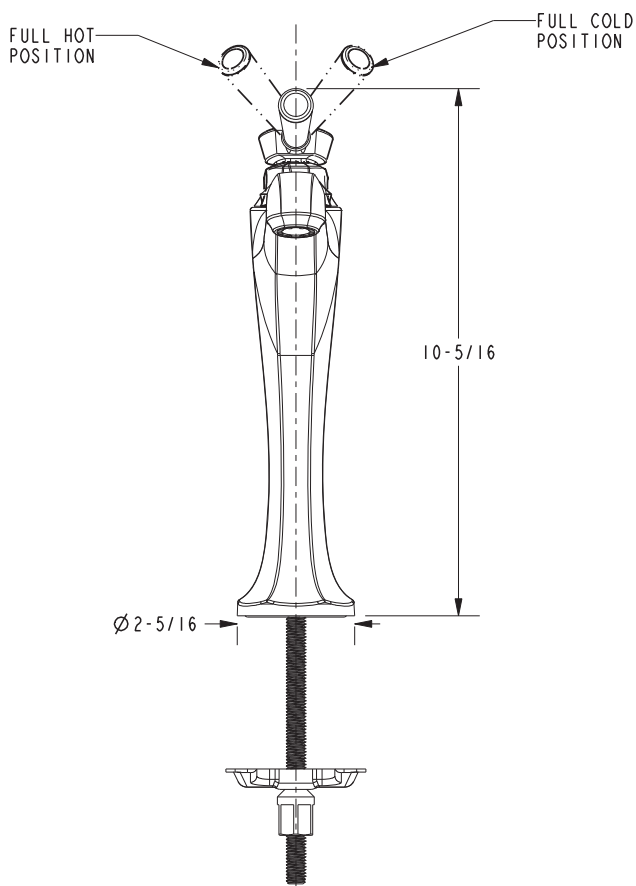
Model	Description	Colors Finishes				
1203-1	Vessel Sink / Bar Faucet	<input type="checkbox"/> 10B	<input type="checkbox"/> 15	<input type="checkbox"/> 15S	<input type="checkbox"/> 26	<input type="checkbox"/> Other

Product Specification Add "Color / Finish" suffix to Model number, below.

The Vessel Sink / Bar Faucet shall be made of solid brass construction. Faucet shall feature a forged brass body with integral supply hoses and feature single-handle operation of a top-mounted Euro-motion ceramic disc 25 mm valve cartridge. Faucet shall have a 1.2 gallons (4.5 liters) per minute maximum flow rate Product shall accommodate single hole configurations. Product shall incorporate a 7-1/2" (19.1 cm) spout height at outlet and a 5-9/16" (14.1 cm) spout reach (c-c). Faucet shall incorporate an ADA compliant traditional lever handle. Vessel Sink / Bar Faucet shall be Newport Brass Model 1203-1/_____.

1203-1

PRODUCT DIMENSIONS *(Units are in inches)*



Metropole Vessel Sink / Bar Faucet
1203-1