

# METROPOLE

## Single Handle Lavatory Faucet **1203**

### Features

- Solid brass construction
- Forged brass body with top-mounted handle
- Euro-motion ceramic disc 25 mm valve cartridge
- ADA compliant traditional lever handle
- Spout assembly with integral supply hoses
- Lift-and-turn drain with tailpiece
- 4-5/16" (11.0 cm) spout height at outlet
- 5-9/16" (14.1 cm) spout reach (c-c)
- For single hole configurations
- 1.2 gallons (4.5 liters) per minute maximum flow rate

### Codes / Standards Compliance

Meets or exceeds the following at date of manufacture:

- ASME A112.18.1/CSA B125.1
- IAPMO/cUPC
- IPC
- NSF 61
- ADA
- ICC/ANSI A117.1
- Energy Policy Act of 1992
- All applicable US Federal and State material regulations
- EPA Watersense



### Colors / Finishes

- 10B: Oil Rubbed Bronze
- 15: Polished Nickel
- 15S: Satin Nickel
- 26: Polished Chrome
- Other: Refer to the Newport Brass catalog for additional color/finish options.

### Specified Model

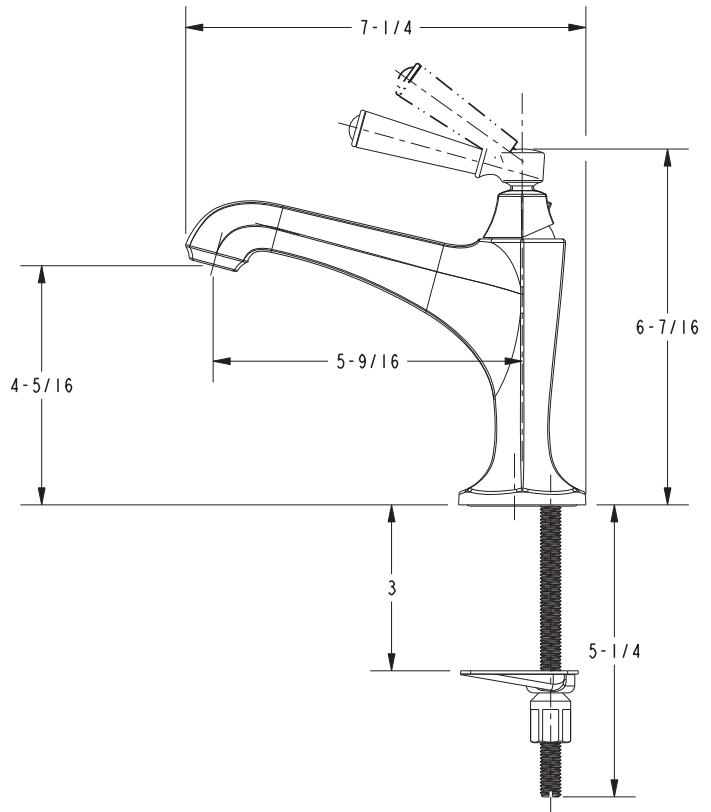
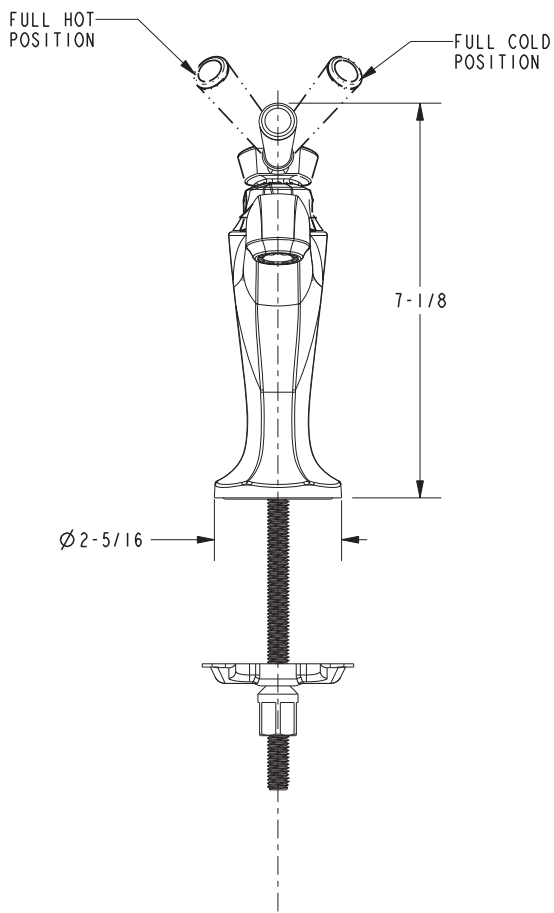
Model	Description	Colors   Finishes
1203	Single Handle Lavatory Faucet	<input type="checkbox"/> 10B <input type="checkbox"/> 15 <input type="checkbox"/> 15S <input type="checkbox"/> 26 <input type="checkbox"/> Other

### Product Specification Add "Color / Finish" suffix to Model number, below.

The Single Handle Lavatory Faucet shall be made of solid brass construction. Faucet shall feature a forged brass body with top-mounted Euro-motion ceramic disc 35 mm valve cartridge. Faucet shall have a 1.2 gallons (4.5 liters) per minute maximum flow rate. Product shall accommodate single hole configurations. Product shall incorporate a 4-5/16" (11.0 cm) spout height at outlet and a 5-9/16" (14.1cm) spout reach (c-c). Faucet shall include a Lift-and-turn drain with tailpiece and incorporate ADA compliant traditional lever handle. Single Handle Lavatory Faucet shall be Newport Brass Model 1203/\_\_\_\_\_.

# 1203

## PRODUCT DIMENSIONS *(Units are in inches)*



### Metropole Single Handle Lavatory Faucet 1203