

4

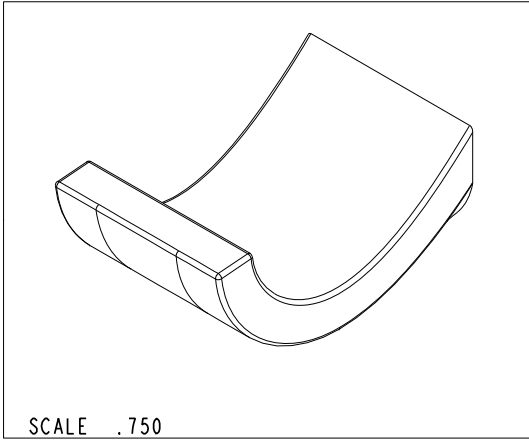
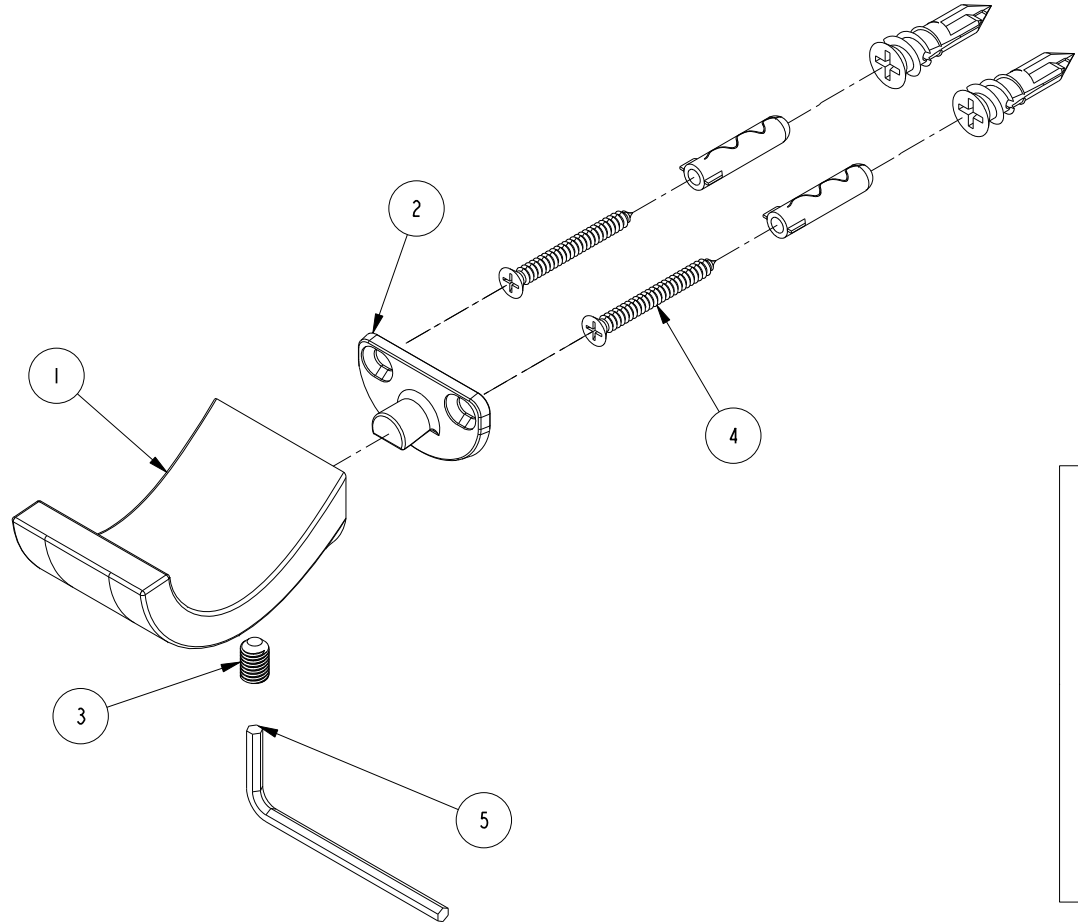
3

2

1

BILL OF MATERIAL (CURRENT LEVEL)

ITEM	PT/ASSY	DESCRIPTION	TYPE	QTY.
1	40407	SINGLE ROBE HOOK	PART	1
2	92437	MOUNTING BRACKET	PART	1
3	92495	SCRW, 1/4-28 x 3/8" CUP POINT SET SS (MMC # 92311A558)	PART	1
4	1-206	HARDWARE PACK	ASSEMBLY	1
5	92422	HEX KEY, 1/8" ALLOY STEEL (MMC# 7122A18)	PART	1



COPYRIGHT 2005 BRASSTECH, INC. THESE DRAWINGS AND THE DESIGNS DEPICTED HEREIN ARE THE PROPRIETARY PROPERTY OF BRASSTECH. ANY USE OR REPRODUCTION IS SUBJECT TO THE EXPRESS APPROVAL OF BRASSTECH. UNAUTHORIZED USE IS STRICTLY PROHIBITED. ALL RIGHTS RESERVED.

BRASSTECH
INCORPORATED

2001 E. CARNEGIE AVE.
SANTA ANA, CA 92705
(949) 417-5207

SINGLE ROBE HOOK

ASSY. NO.	37-12		A	EN-1718	04/04/11
SCALE	.600	REF.	-	EN-1294	11/09/10
SHEET	1	OF	2	REV	REV DESC
					DATE

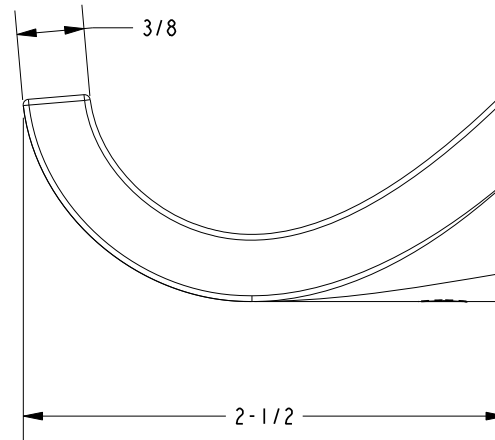
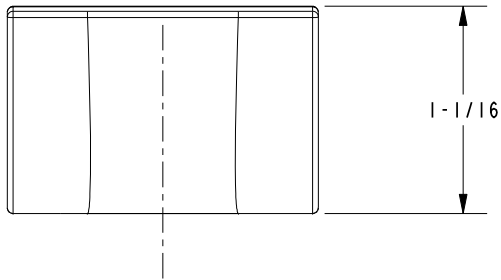
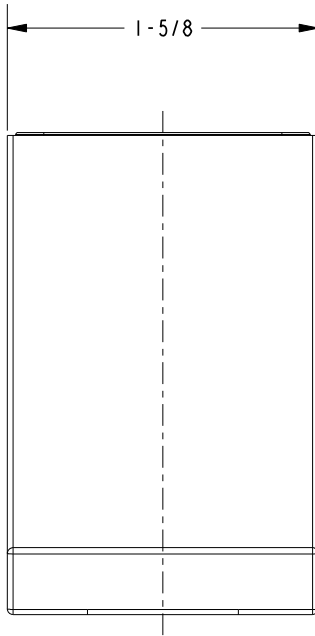
4

3

2

1

SPECIFICATION DWG



DIMENSIONS ARE IN INCHES AND AN APPROXIMATION OF A TYPICAL INSTALLATION

COPYRIGHT 2005 BRASSTECH, INC. THESE DRAWINGS AND THE DESIGNS DEPICTED HEREIN ARE THE PROPRIETARY PROPERTY OF BRASSTECH. ANY USE OR REPRODUCTION IS SUBJECT TO THE EXPRESS APPROVAL OF BRASSTECH. UNAUTHORIZED USE IS STRICTLY PROHIBITED. ALL RIGHTS RESERVED.

BRASSTECH		2001 E. CARNEGIE AVE.	
INCORPORATED		SANTA ANA, CA 92705	
		(949) 417-5207	
DWG NO.	37-12	REV	A
SCALE	1.000	REF.	-
		SHEET	2 OF 2