

BILL OF MATERIAL (CURRENT LEVEL)				
ITEM	PT/ASSY	DESCRIPTION	TYPE	QTY.
1	10048	ESCUTCHEON W/S VALVE	PART	2
2	10523	HEX ESCUTCHEON BONNET	PART	2
3	2-142	HANDLE ONLY, COLD	ASSEMBLY	1
4	2-141	HANDLE ONLY, HOT	ASSEMBLY	1
5	2-188	942 KITCHEN SPOUT	ASSEMBLY	1
6	1-525	W/S VALVE INSTALLATION	ASSEMBLY	1

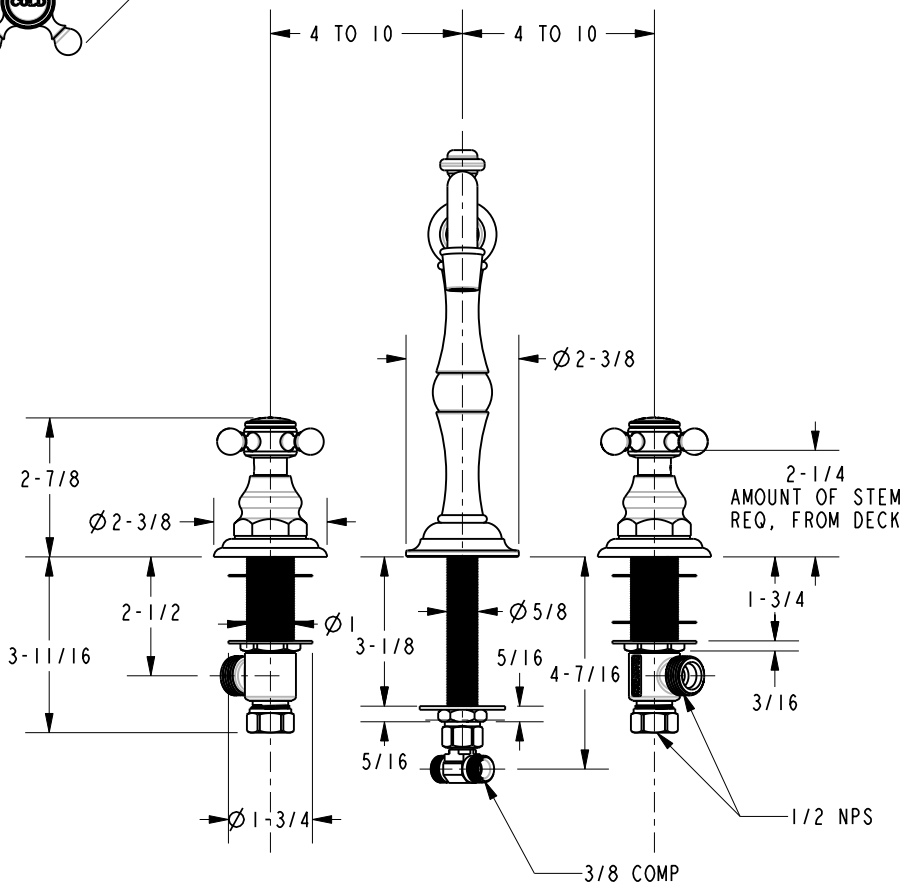
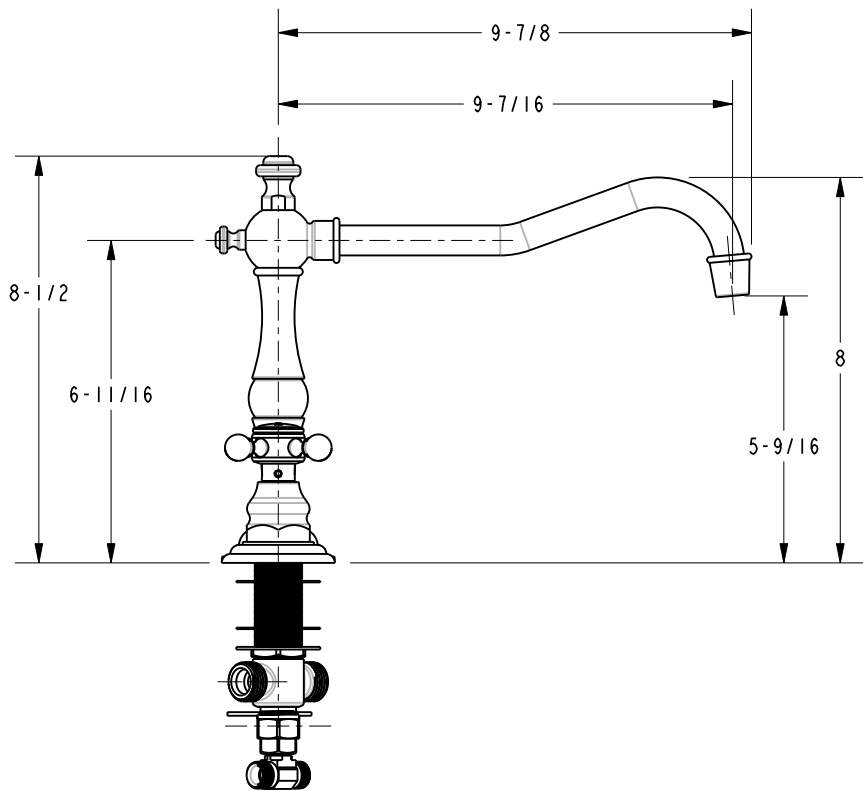
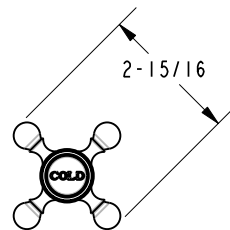
COPYRIGHT 2005 BRASSTECH, INC. THESE DRAWINGS AND THE DESIGNS DEPICTED HEREIN ARE THE PROPRIETARY PROPERTY OF BRASSTECH. ANY USE OR REPRODUCTION IS SUBJECT TO THE EXPRESS APPROVAL OF BRASSTECH. UNAUTHORIZED USE IS STRICTLY PROHIBITED. ALL RIGHTS RESERVED.

BRASSTECH
INCORPORATED
2001 E. CARNEGIE AVE.
SANTA ANA, CA 92705
(949) 417-5207

KITCHEN FAUCET

ASSY. NO.		942			
SCALE 0.250	REF. -	SHEET 1 OF 2	REV	REV DESC	DATE
			-	RELEASED	PRE '95

SPECIFICATION DWG



DIMENSIONS ARE IN INCHES AND AN APPROXIMATION OF A TYPICAL INSTALLATION

COPYRIGHT 2005 BRASSTECH, INC. THESE DRAWINGS AND THE DESIGNS DEPICTED HEREIN ARE THE PROPRIETARY PROPERTY OF BRASSTECH. ANY USE OR REPRODUCTION IS SUBJECT TO THE EXPRESS APPROVAL OF BRASSTECH. UNAUTHORIZED USE IS STRICTLY PROHIBITED. ALL RIGHTS RESERVED.

BRASSTECH		2001 E. CARNEGIE AVE.
INCORPORATED		SANTA ANA, CA 92705
		(949) 417-5207
DWG NO.	942	REV -
SCALE 0.250	REF. -	SHEET 2 OF 2