

**Toilet Tissue Holder**  
**37-27**

**Features**

- Solid brass construction
- Single-post, open roller design
- Complements Secant product series

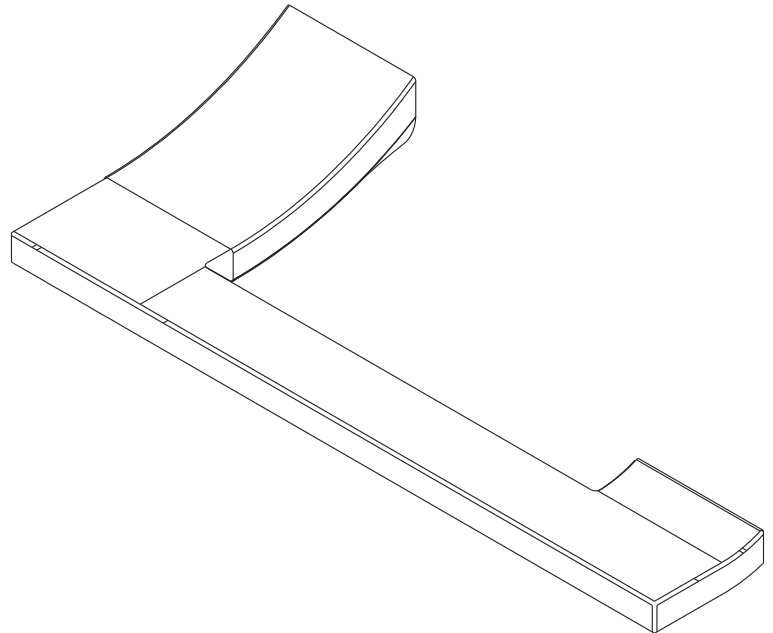
**Codes / Standards Compliance**

Meets or exceeds the following at date of manufacture:

- All applicable US Federal and State material regulations

**Colors / Finishes**

- 10B: Oil Rubbed Bronze
- 15: Polished Nickel
- 15A: Antique Nickel
- 26: Polished Chrome
- Other: Refer to the Newport Brass catalog for additional color/finish options.



**Specified Model**

Model	Description	Colors   Finishes				
37-27	Open Toilet Tissue Holder	<input type="checkbox"/> 15	<input type="checkbox"/> 15A	<input type="checkbox"/> 26	<input type="checkbox"/> 10B	<input type="checkbox"/> Other

**Product Specification: Add "Color / Finish" Suffix to Model Number Below.**

The Toilet Tissue Holder shall be made of solid brass construction and incorporate a single-post, open roller design. Toilet Tissue Holder shall complement Newport Brass Secant product series. Toilet Tissue Holder shall be Newport Brass Model 37-27/\_\_\_\_\_.

# 37-27

## Product Dimensions (units are in inches)

