

Features

- Solid brass construction
- Double-post design with rigid straight bar
- Complements Secant product series

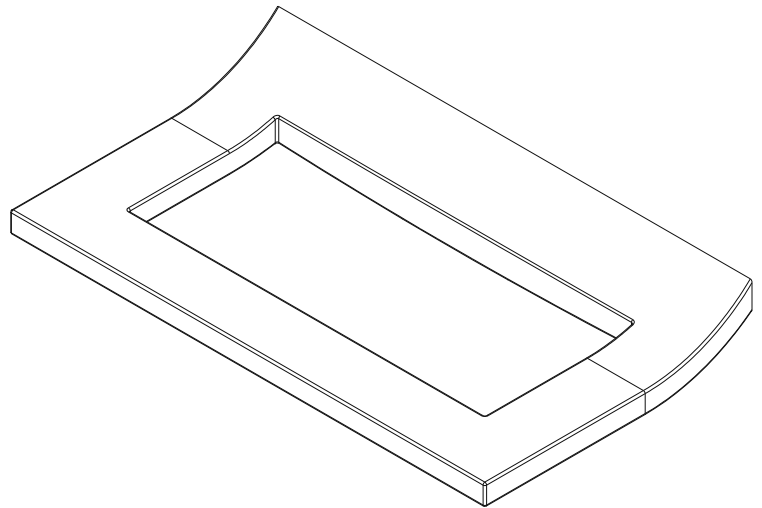
Codes / Standards Compliance

Meets or exceeds the following at date of manufacture:

- All applicable US Federal and State material regulations

Colors / Finishes

- 15: Polished Nickel
- 15S: Satin Nickel
- 26: Polishd Chrome
- 10B: Oil Rubbed Bronze
- Other: Refer to the Newport Brass catalog for additional color/finish options.



Specified Model

Model	Description	Colors Finishes
37-09	Towel Ring	<input type="checkbox"/> 15 <input type="checkbox"/> 15S <input type="checkbox"/> 26 <input type="checkbox"/> 10B <input type="checkbox"/> Other

Product Specification: Add "Length Indicator and Color / Finish" suffix to Model number, below.

The Towel Ring shall be made of solid brass construction and incorporate a double-post design with rigid straight bar. Towel Ring shall complement Newport Brass Secant product series. Towel Ring shall be Newport Brass Model 37-09/_____.

37-09

Product Dimensions *(units are in inches)*

