

EAST LINEAR

Single Hole Lavatory Faucet **1503**

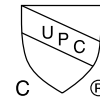
Features

- Solid brass construction
- Spout assembly with integral supply hoses
- Euro-motion ceramic disc 40mm valve cartridge
- Lift and turn drain with tailpiece
- ADA compliant handle
- 2-5/8" (6.7 cm) spout height at outlet
- 4" (10.2 cm) spout reach (c-c)
- 1.5 gallons (5.7 liters) per minute maximum flow rate
- Solid brass pull-out side-spray (when applicable)

Codes / Standards Compliance

Meets or exceeds the following at date of manufacture:

- ASME A112.18.1/CSA B125.1
- IAPMO/UPC
- IPC
- NSF 61
- ADA
- ICC/ANSI A117.1
- Energy Policy Act of 1992
- All applicable US Federal and State material regulations



Colors / Finishes

- 10B: Oil Rubbed Bronze
- 15: Polished Nickel
- 15S: Satin Nickel
- 26: Polished Chrome
- Other: Refer to the Newport Brass catalog for additional color/finish options.

Specified Model

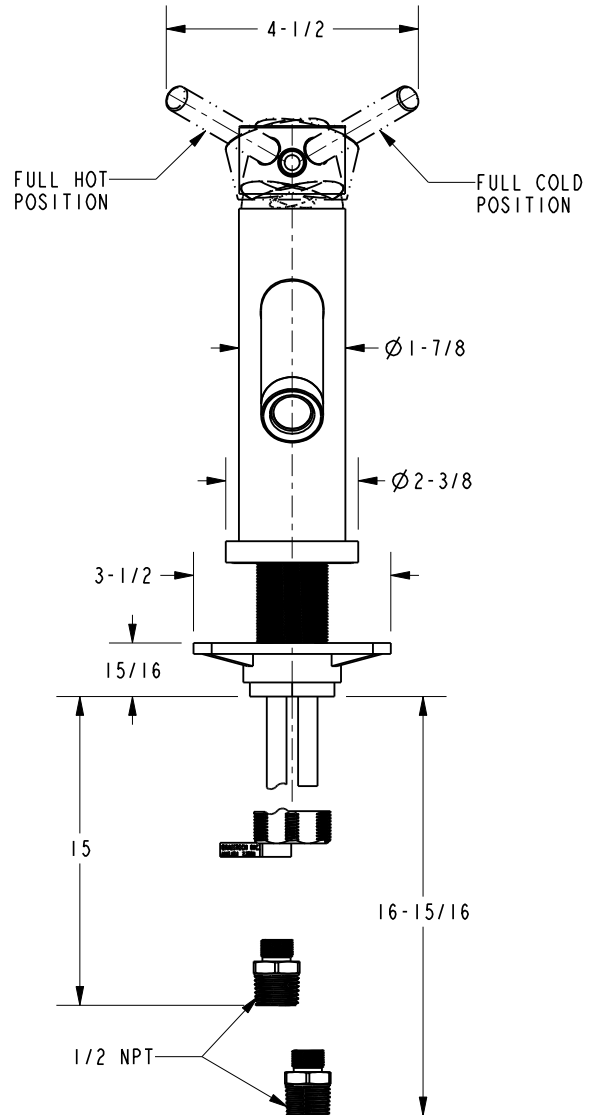
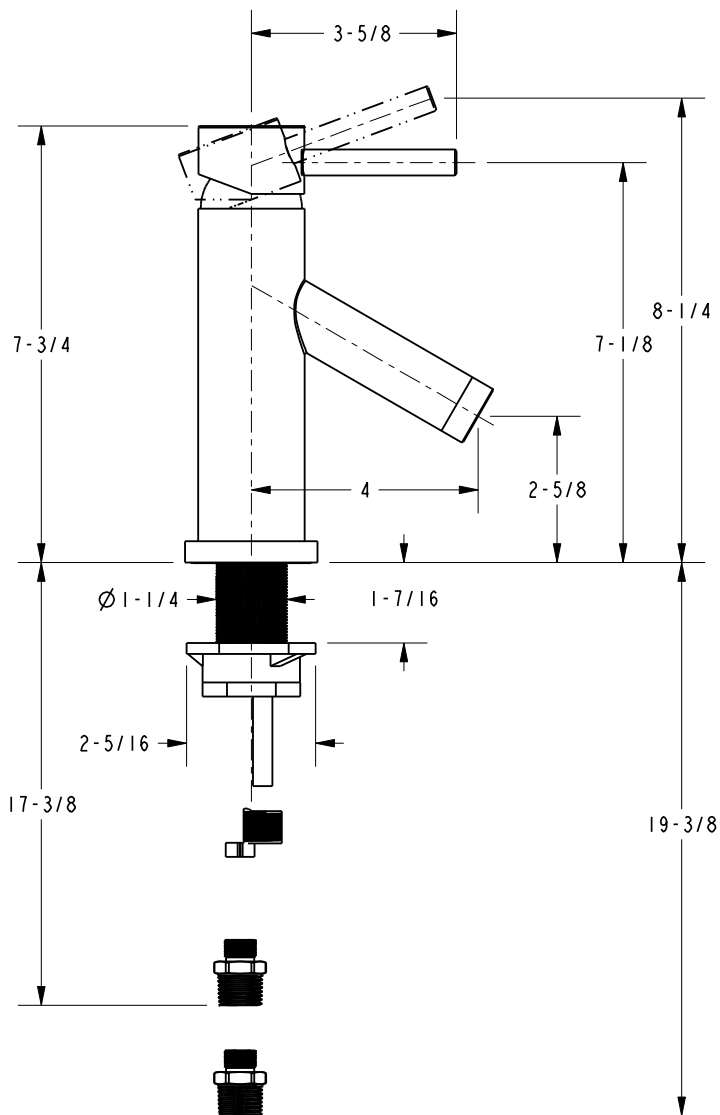
Model	Description	Colors / Finishes
1503	Single Hole Lavatory Faucet	<input type="checkbox"/> 10B <input type="checkbox"/> 15 <input type="checkbox"/> 15S <input type="checkbox"/> 26 <input type="checkbox"/> Other

Product Specification:

Add "Color / Finish" suffix to Model number, below.

The Single Hole Lavatory Faucet shall be of solid brass construction. Faucet shall feature a spout assembly having integral supply hoses and a Euro-motion ceramic disc 40mm valve cartridge. Single Hole Lavatory Faucet shall have 1.5 gallons (5.7 L) per minute maximum flow rate. Product shall have 2-5/8" (6.7 cm) spout height at outlet, 4" (10.2 cm) spout reach (c-c) and incorporate an ADA compliant handle. Single Hole Lavatory Faucet shall be Newport Brass Model 1503/____.

Product Dimensions (units are in inches)



**East Linear Single Hole Lavatory Faucet
1503**