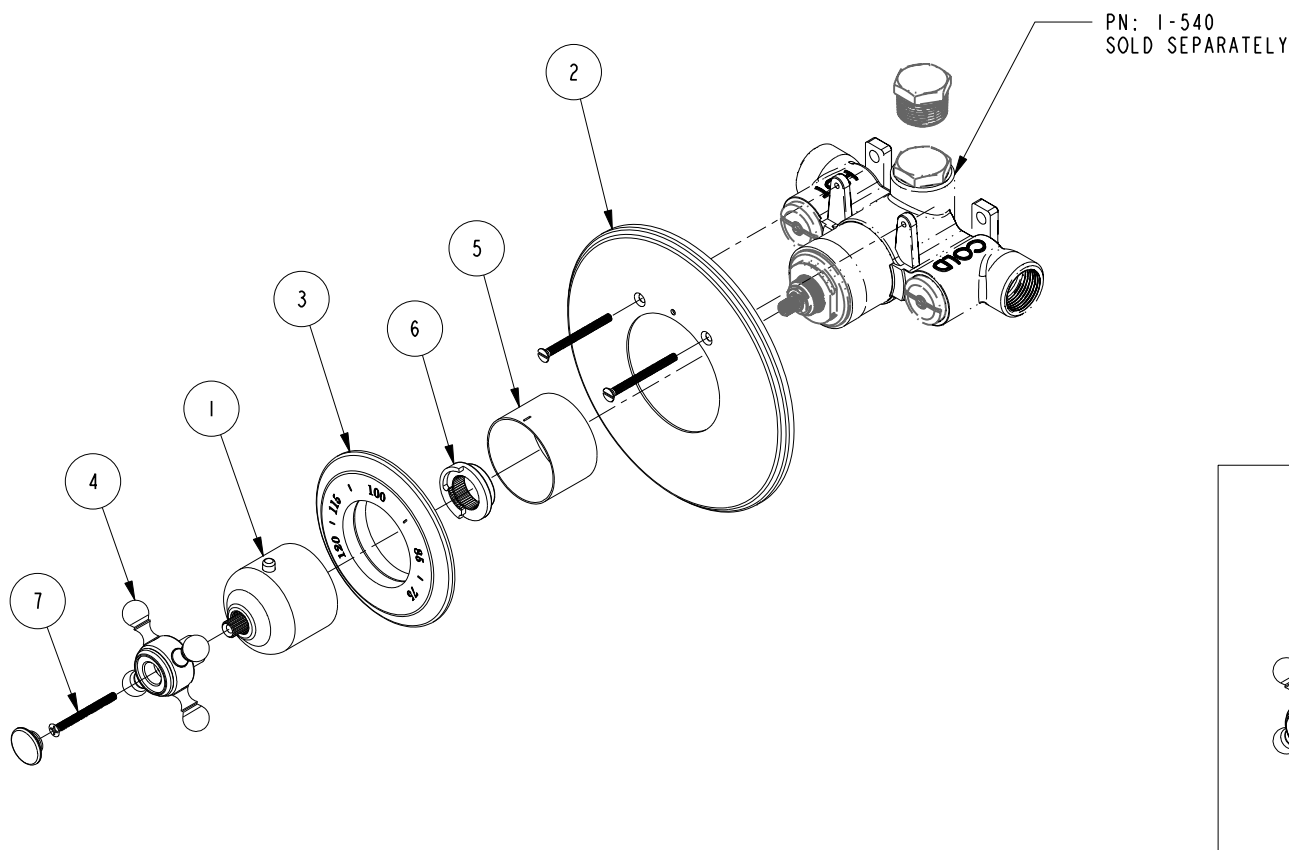


BILL OF MATERIAL (CURRENT LEVEL)				
ITEM	PT/ASSY	DESCRIPTION	TYPE	QTY.
1	2-499	THERMO BONNET ASM-TRAD.	ASSEMBLY	1
2	2-500	THERMO SHOWER PLATE ROUND	ASSEMBLY	1
3	2-558	NOMENCLATURE RING ASM	ASSEMBLY	1
4	2-559	CROSS HANDLE ASM	ASSEMBLY	1
5	11029	SLEEVE - THERMO	PART	1
6	91308	TEMP LIMIT STOP - THERMO	PART	1
7	92206	SCRW, M4 X 0.7 X 45 PHIL FLT HD SS	PART	1



COPYRIGHT 2005 BRASSTECH, INC. THESE DRAWINGS AND THE DESIGNS DEPICTED HEREIN ARE THE PROPRIETARY PROPERTY OF BRASSTECH. ANY USE OR REPRODUCTION IS SUBJECT TO THE EXPRESS APPROVAL OF BRASSTECH. UNAUTHORIZED USE IS STRICTLY PROHIBITED. ALL RIGHTS RESERVED.

BRASSTECH
INCORPORATED
2001 E. CARNEGIE AVE.
SANTA ANA, CA 92705
(949) 417-5207

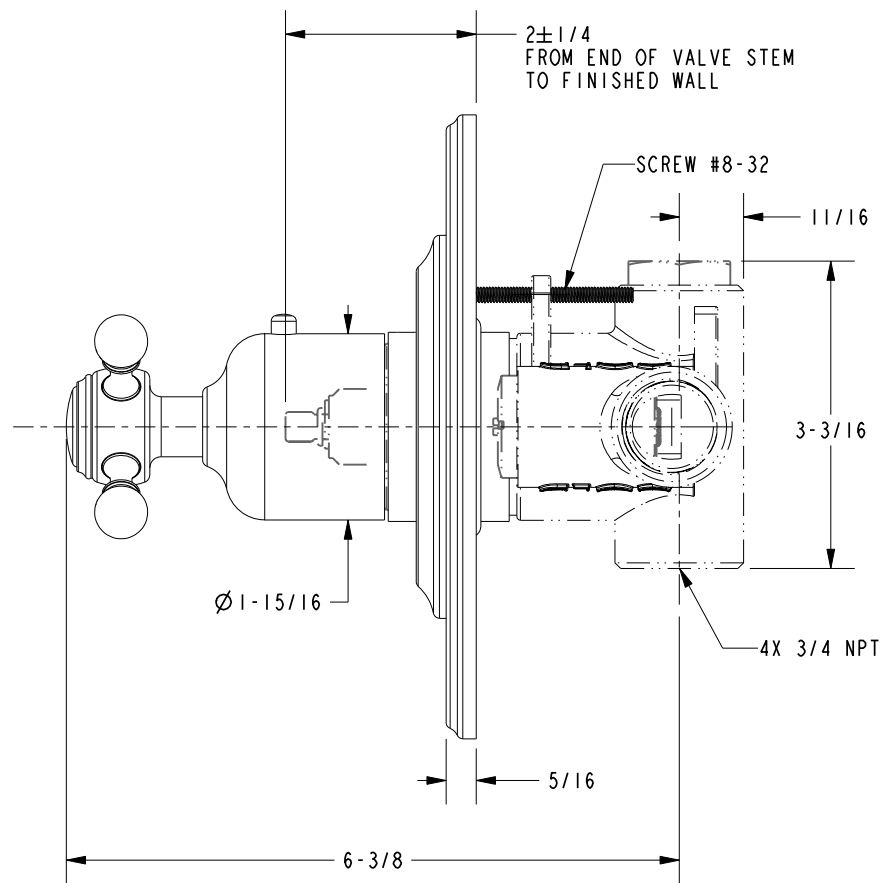
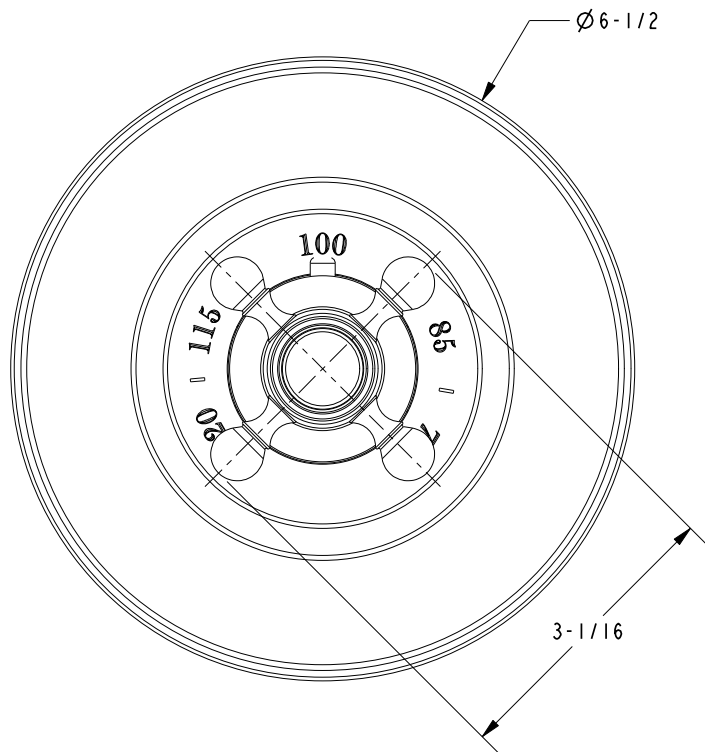
THERMO SHOWER TRIM

ASSY. NO.	3-1764TR		A	EO-0769	10/11/06
SCALE .250	REF. -	SHEET 1 OF 2	-	EO-0744	07/14/06
			REV	REV DESC	DATE

SPECIFICATION DWG

NOTES:

1. VALVE, PN: 1-540, SOLD SEPARATELY.



DIMENSIONS ARE IN INCHES AND AN APPROXIMATION OF A TYPICAL INSTALLATION

COPYRIGHT 2005 BRASSTECH, INC. THESE DRAWINGS AND THE DESIGNS DEPICTED HEREIN ARE THE PROPRIETARY PROPERTY OF BRASSTECH. ANY USE OR REPRODUCTION IS SUBJECT TO THE EXPRESS APPROVAL OF BRASSTECH. UNAUTHORIZED USE IS STRICTLY PROHIBITED. ALL RIGHTS RESERVED.

BRASSTECH		2001 CARNEGIE AVE.
INCORPORATED		SANTA ANA, CA 92705
		(949) 417-5207
DWG NO.	3-1764TR	REV A
SCALE .500	REF. -	SHEET 2 OF 2