

4

3

2

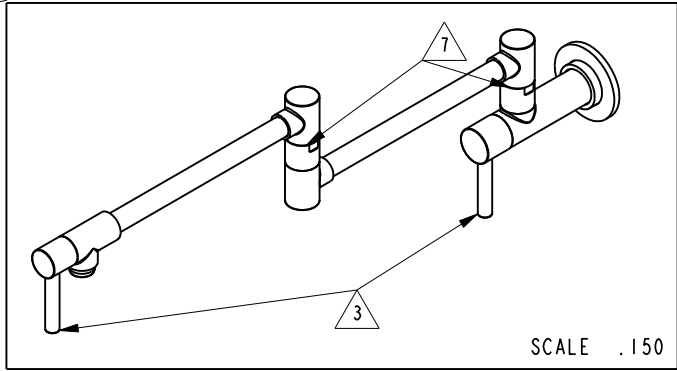
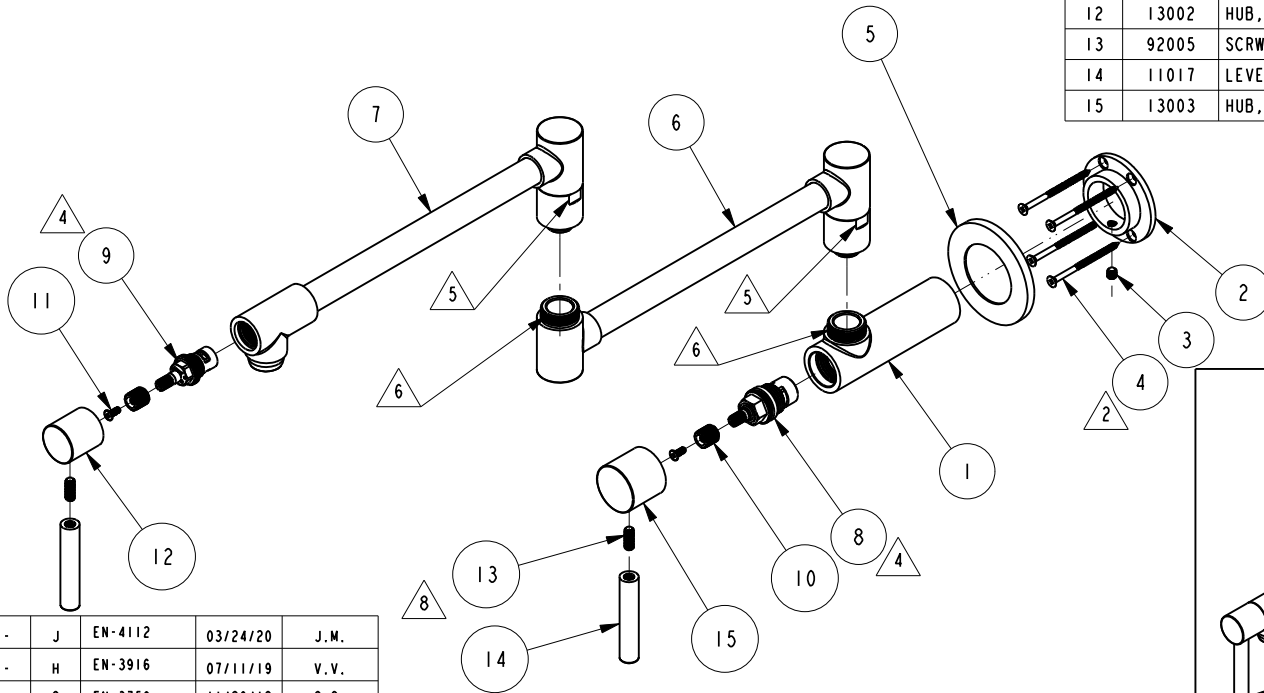
1

NOTES:

- (N1) 1. FIT / FORM / FUNCTION SHALL FOLLOW PS-E.008.
- 2. PACK THESE ITEMS IN A PLASTIC BAG.
- 3. HANDLE IN CLOSE POSITION.
- 4. INSTALLATION TORQUE 11-14 LB-FT.
- 5. INSTALLATION TORQUE 4-6 LB-FT.
- 6. APPLY LOCTITE 680.
- 7. SWIVEL CONNECTION SHALL NOT HAVE NOTICEABLE WOBBLINESS AFTER ASSEMBLY.
- 8. APPLY LOCTITE 242.

BILL OF MATERIAL (CURRENT LEVEL)

ITEM	PT/ASSY	DESCRIPTION	TYPE	QTY.
1	11330	VALVE BODY, WALL-END	PART	1
2	11309	FLANGE, MOUNTING	PART	1
3	92231	SCRW, 1/4-20 X 1/4 SKT HD CUP PT SS	PART	1
4	92223	SCRW, #8 X 2-1/2 PHL FLT HD SS	PART	4
5	2-556	FLANGE ASM, CONTEMP	ASSEMBLY	1
6	2-553	LOWER ARM ASM, CONTEMP	ASSEMBLY	1
7	2-552	UPPER ARM ASM, CONTEMP	ASSEMBLY	1
8	1-326	W/S CARTRIDGE FRICTION - HOT	PART	1
9	1-437	CATR 3/8 HOT 1/4 TR	PART	1
10	12070	HANDLE ADAPTER, SHORT	PART	2
11	92035	SCRW, M4 X .7 X 10 PHL FLT HD SS	PART	2
12	13002	HUB, HANDLE, TIP-END	PART	1
13	92005	SCRW, 1/4-20 X 5/8 SKT HD CUP PT SS	PART	2
14	11017	LEVER HANDLE	PART	2
15	13003	HUB, HANDLE, WALL-END	PART	1



-	J	EN-4112	03/24/20	J.M.
-	H	EN-3916	07/11/19	V.V.
-	G	EN-3756	11/26/18	C.G.
-	F	EN-3598	10/12/18	J.A.
-	E	EN-3495	03/26/18	J.A.
-	D	EN-2874	10/01/15	N.S
-	C	EN-2528	05/08/13	-
-	B	EO-0770	10/12/06	-
-	A	EO-0701	08/25/06	-
-	-	EO-0641	01/18/06	-
ZONE	REV	DESCRIPTION	DATE	APPROVED

COPYRIGHT 2005 BRASSTECH, INC. THESE DRAWINGS AND THE DESIGNS DEPICTED HEREIN ARE THE PROPRIETARY PROPERTY OF BRASSTECH. ANY USE OR REPRODUCTION IS SUBJECT TO THE EXPRESS APPROVAL OF BRASSTECH. UNAUTHORIZED USE IS STRICTLY PROHIBITED. ALL RIGHTS RESERVED.

TESTING	-	-	-
ASSEMBLY	-	-	-
PLATING	-	-	-
POLISHING	-	NEXT ASSY	USED ON
MACHINING	-	APPLICATION	
TOOLING FIXTURE #	REMOVE ALL BURRS AND SHARP EDGES		

UNITS ARE: INCHES [MM]	
TOLERANCES ARE:	
FRACTIONS DECIMALS	ANGLES
±1/16"	.X ±.1 [2.5] ±1°
	.XX ±.06 [1.5]
(X.XXX) DENOTES CRITICAL DIMS. ALL THREADS ARE CRITICAL	
DRAWN	JINSON 11/26/18
CHECKED	C.G. 11/26/18
APPROVED	C.G. 11/26/18

BRASSTECH 2001 CARNEGIE AVE. SANTA ANA, CA 92705 (949) 417-5207
INCORPORATED

POT FILLER, WALL, LEVER, CONTEMP

DWG NO. **9485** REV J

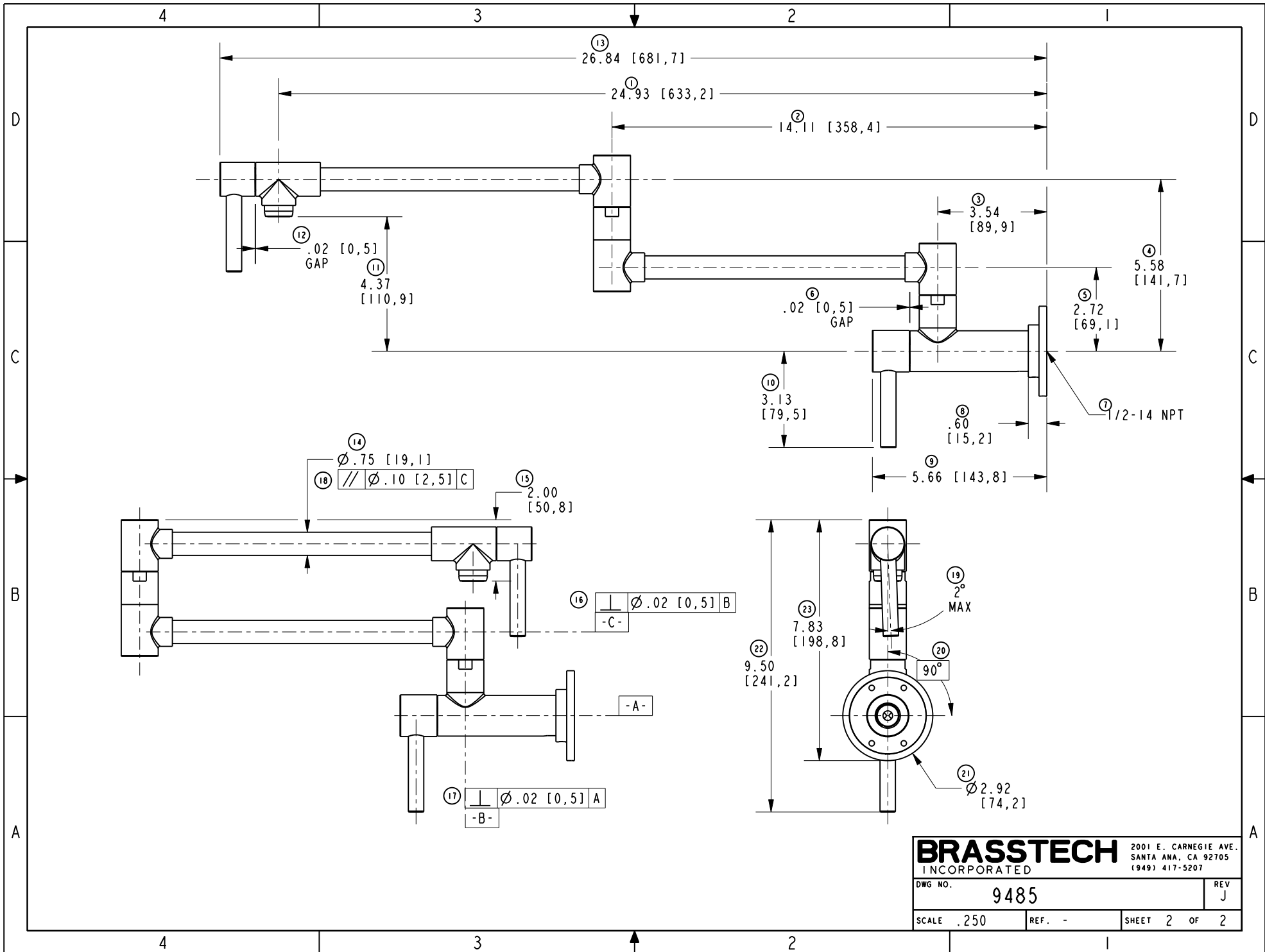
SCALE .200 REF. - SHEET 1 OF 2

4

3

2

1



BRASSTECH		2001 E. CARNEGIE AVE. SANTA ANA, CA 92705 (949) 417-5207	
DWG NO.	9485	REV	J
SCALE	.250	REF.	-
		SHEET	2 OF 2