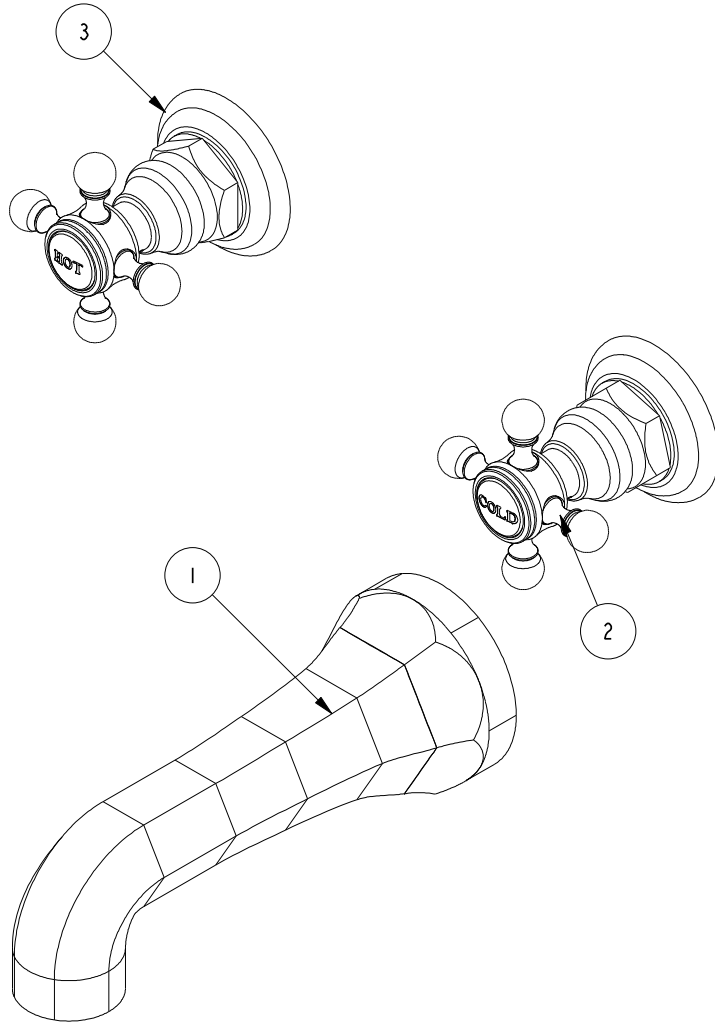


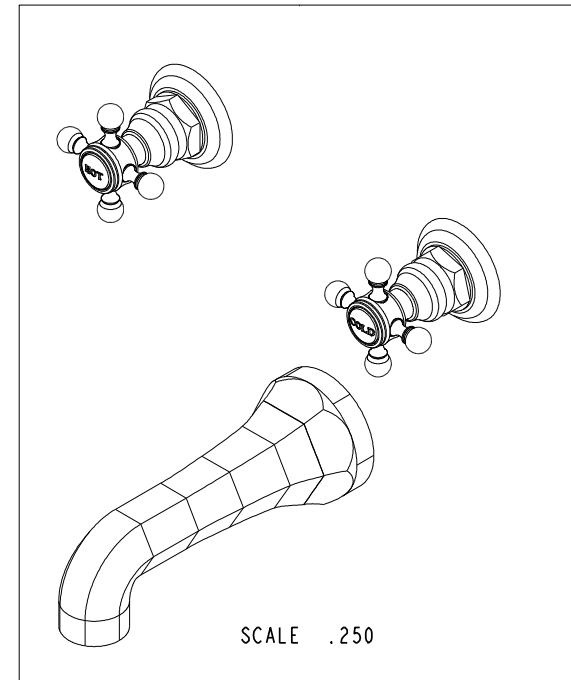
NOTES:

1. TO INSPECT ASSEMBLY, FOLLOW FIRST ARTICLE AND IN PROCESS INSPECTION SHEET.



**BILL OF MATERIAL (CURRENT LEVEL)**

ITEM	PT/ASSY	DESCRIPTION	TYPE	QTY.
1	2-144	WALL TUB SPOUT - HEX	ASSEMBLY	1
2	3-163C	TRIM KIT - HANDLE/ESCUTCHEON	ASSEMBLY	1
3	3-163H	TRIM KIT - HANDLE/ESCUTCHEON	ASSEMBLY	1
4	1-500U	TUB - VALVE ROUGH	ASSEMBLY	1



-	D	EN-3961-2	05/15/20	J.M.
-	C	EN-2677	02/03/14	N.S
-	B	EN-2032	10/12/12	-
-	A	EN-1183	03/23/09	-
-	-	EN-1568	06/24/10	-
ZONE	REV	DESCRIPTION	DATE	APPROVED

COPYRIGHT 2005 BRASSTECH, INC. THESE DRAWINGS AND THE DESIGNS DEPICTED HEREIN ARE THE PROPRIETARY PROPERTY OF BRASSTECH. ANY USE OR REPRODUCTION IS SUBJECT TO THE EXPRESS APPROVAL OF BRASSTECH. UNAUTHORIZED USE IS STRICTLY PROHIBITED. ALL RIGHTS RESERVED.

TESTING	-	-	-
ASSEMBLY	-	-	-
PLATING	-	-	-
POLISHING	-	NEXT ASSY	USED ON
MACHINING	-	APPLICATION	
TOOLING FIXTURE #	REMOVE ALL BURRS AND SHARP EDGES		

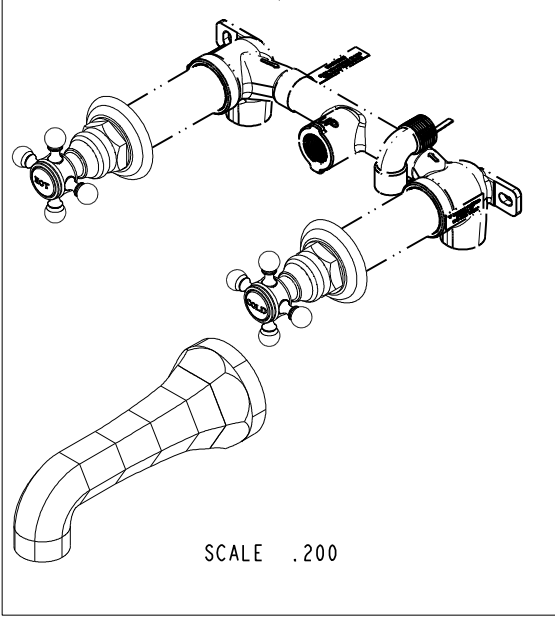
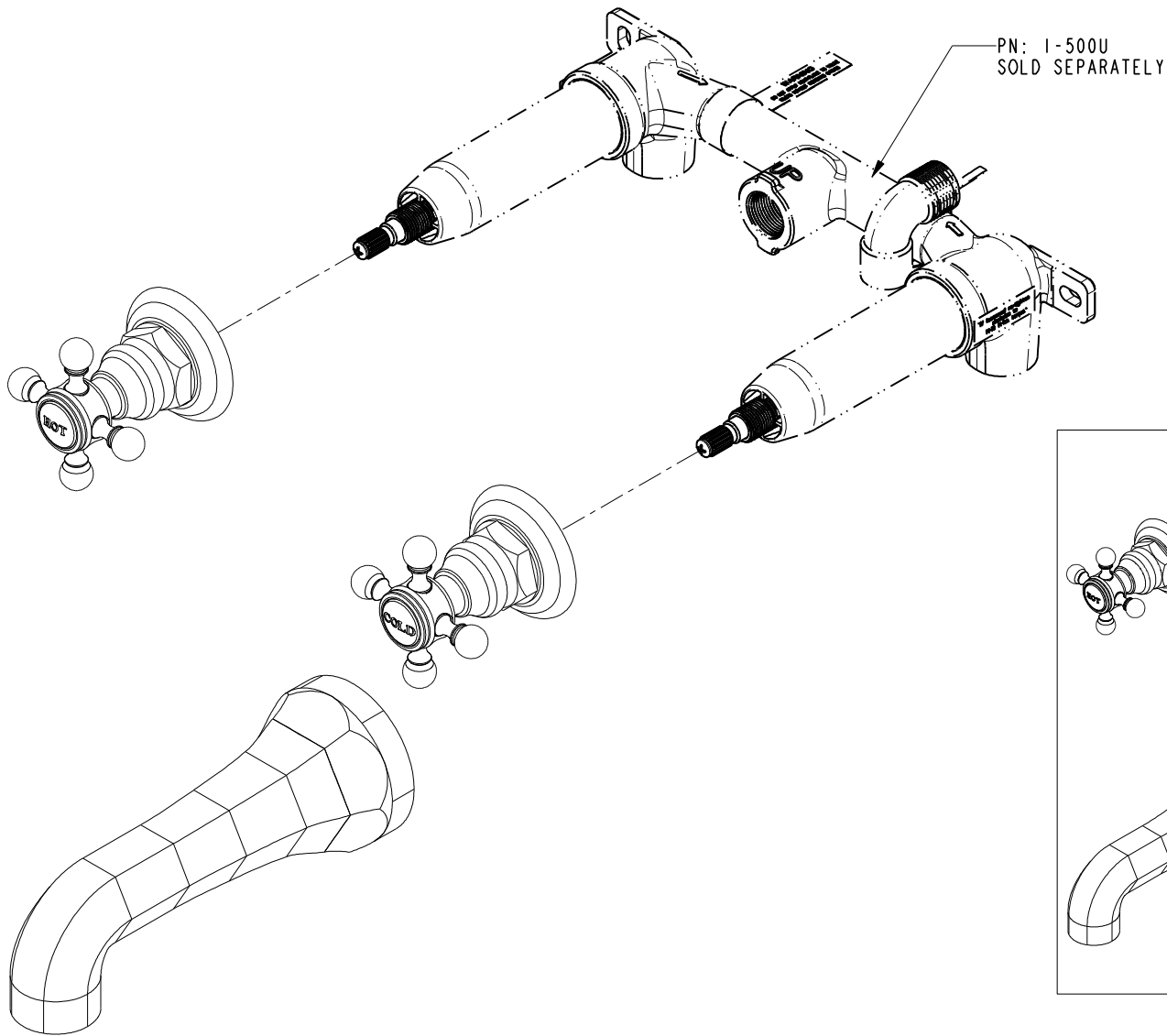
UNITS ARE: INCHES [MM]  
 TOLERANCES ARE:  
 FRACTIONS DECIMALS ANGLES  
 ±1/16" .X ±.1 [2.5] ±°  
 .XX ±.06 [1.5]  
 (X.XXX) DENOTES CRITICAL DIMS.  
 ALL THREADS ARE CRITICAL  
 DRAWN - 06/24/10  
 CHECKED - 06/24/10  
 APPROVED - 06/24/10

**BRASSTECH** 2001 CARNEGIE AVE.  
 INCORPORATED SANTA ANA, CA 92705  
 (949) 417-5207

**3-925 TRIM KIT HANDLE / ESC**

DWG NO. **3-925** REV **D**

SCALE .400 REF. - SHEET 1 OF 3



<b>BRASSTECH</b>		2001 CARNEGIE AVE. SANTA ANA, CA 92705 (949) 417-5207	
INCORPORATED			
DWG NO.	3-925	REV	D
SCALE	.350	REF.	-
		SHEET	2 OF 3

