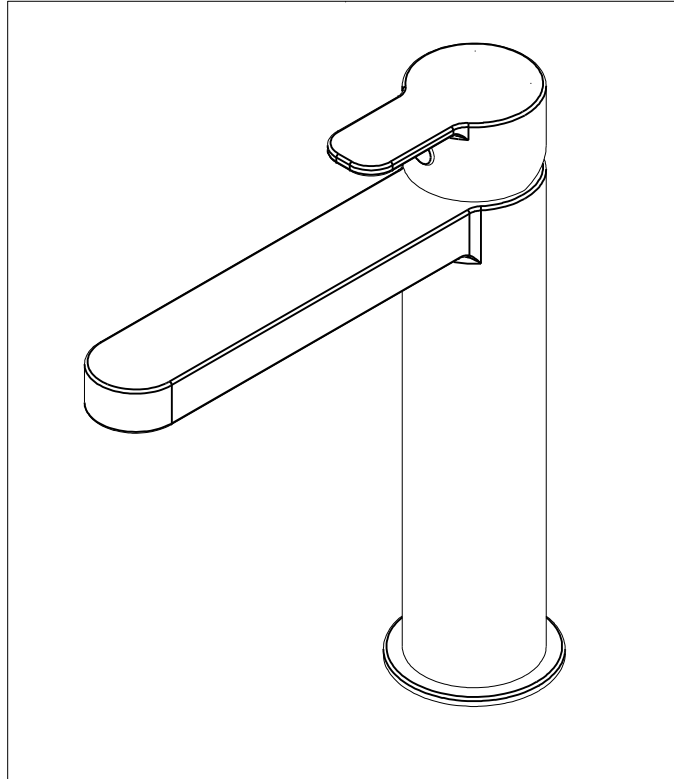


NOTES:

- ① 1. FIT / FORM / FUNCTION SHALL FOLLOW PS-E.008.
- △ 2. TORQUE TO 7.5-8.5 LB-FT.
- △ 3. APPLY THIN COAT OF SILICON GREASE FOR ALL O-RINGS BEFORE INSTALLATION.
- △ 4. APPLY LOCTITE 242, IF SCREW DOES NOT HAVE NYLON PATCH.
- △ 5. APPLY LOCTITE 680.
- △ 6. TORQUE 15-20 IN-LB.



BILL OF MATERIAL (CURRENT LEVEL)

ITEM	PT/ASSY	DESCRIPTION	TYPE	QTY.
1	CTYN0246	BODY	PART	1
2	I-435	CARTRIDGE	ASSEMBLY	1
3	CTCB0416	RETAINER	PART	1
4	CTCB0628	COVER	PART	1
5	CTHZ0595	HANDLE	PART	1
6	CTST0084-XX2	SCREW	PART	1
7	CTCP0072	CAP	PART	1
8	ATBX0087	AERATOR	PART	1
9	CTDZ0122	BASE SEAT	PART	1
10	CTRR0163	O-RING	PART	1
11	CTST0013	SCREW	PART	1
12	CTWT0095	PLATE	PART	1
13	CTNB0063	NUT	PART	1
14	ATBP0403	HOSE	ASSEMBLY	2
15	CTCP0440	COVER	PART	1

ZONE	REV	DESCRIPTION	DATE	APPROVED
-	A	EN-3891	06/18/19	V.V.
-	-	EN-3304	04/26/17	J.A

COPYRIGHT 2005 BRASSTECH, INC. THESE DRAWINGS AND THE DESIGNS DEPICTED HEREIN ARE THE PROPRIETARY PROPERTY OF BRASSTECH. ANY USE OR REPRODUCTION IS SUBJECT TO THE EXPRESS APPROVAL OF BRASSTECH. UNAUTHORIZED USE IS STRICTLY PROHIBITED. ALL RIGHTS RESERVED.

TESTING	ASSEMBLY	PLATING	POLISHING	MACHINING	TOOLING FIXTURE #
-	-	-	-	-	
					REMOVE ALL BURRS AND SHARP EDGES

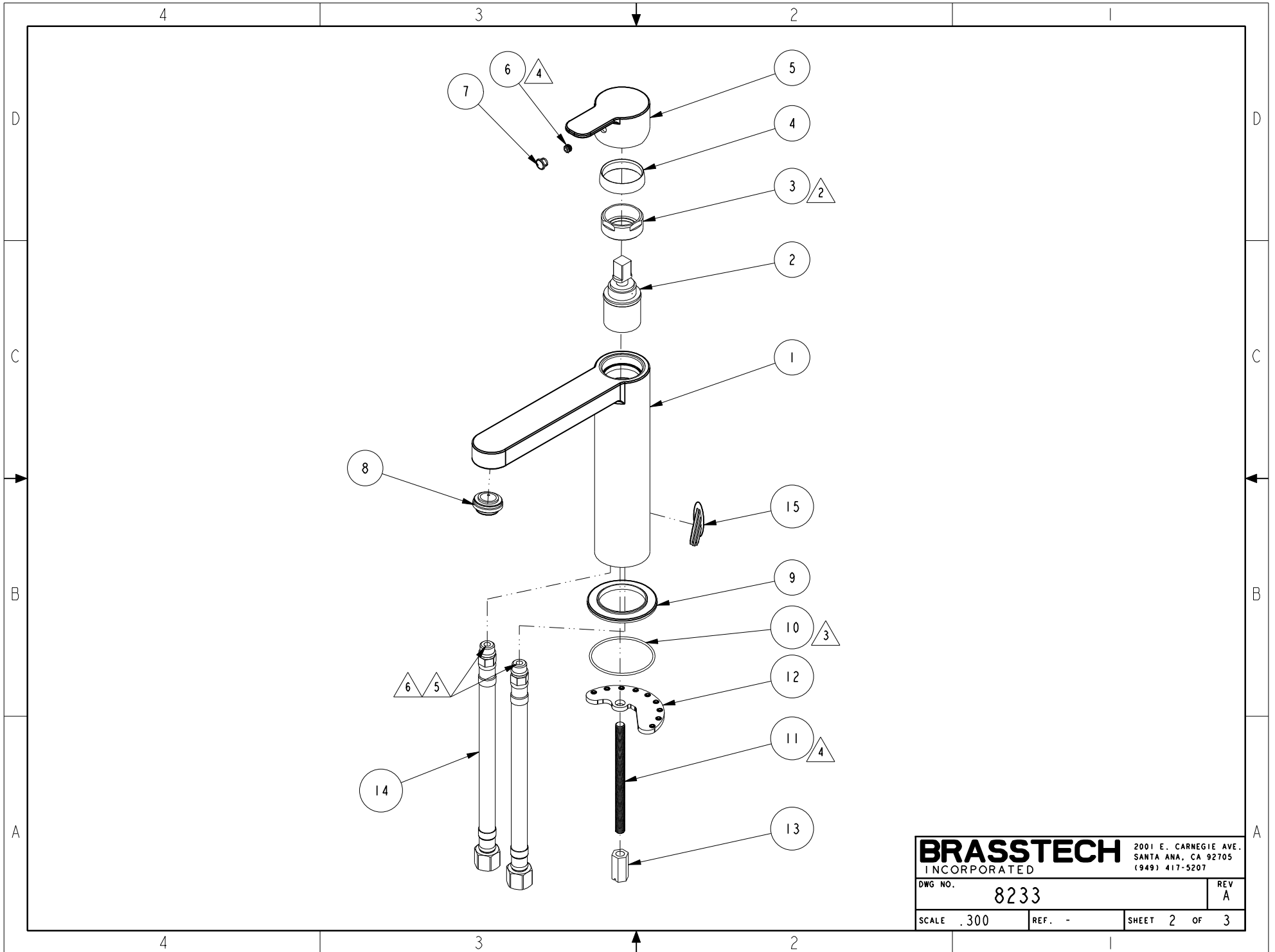
UNITS ARE: INCHES (MM)
TOLERANCES ARE:
FRACTIONS DECIMALS ANGLES
±1/16" .X ±.1 (2.5) ±1°
.XX ±.06 (1.5)
(X.XXX) DENOTES CRITICAL DIMS.
ALL THREADS ARE CRITICAL
DRAWN AMARISH 04/26/17
CHECKED RAVINDRA 04/26/17
APPROVED J.A 04/26/17

BRASSTECH 2001 CARNEGIE AVE., SANTA ANA, CA 92705 (949) 417-5207
INCORPORATED

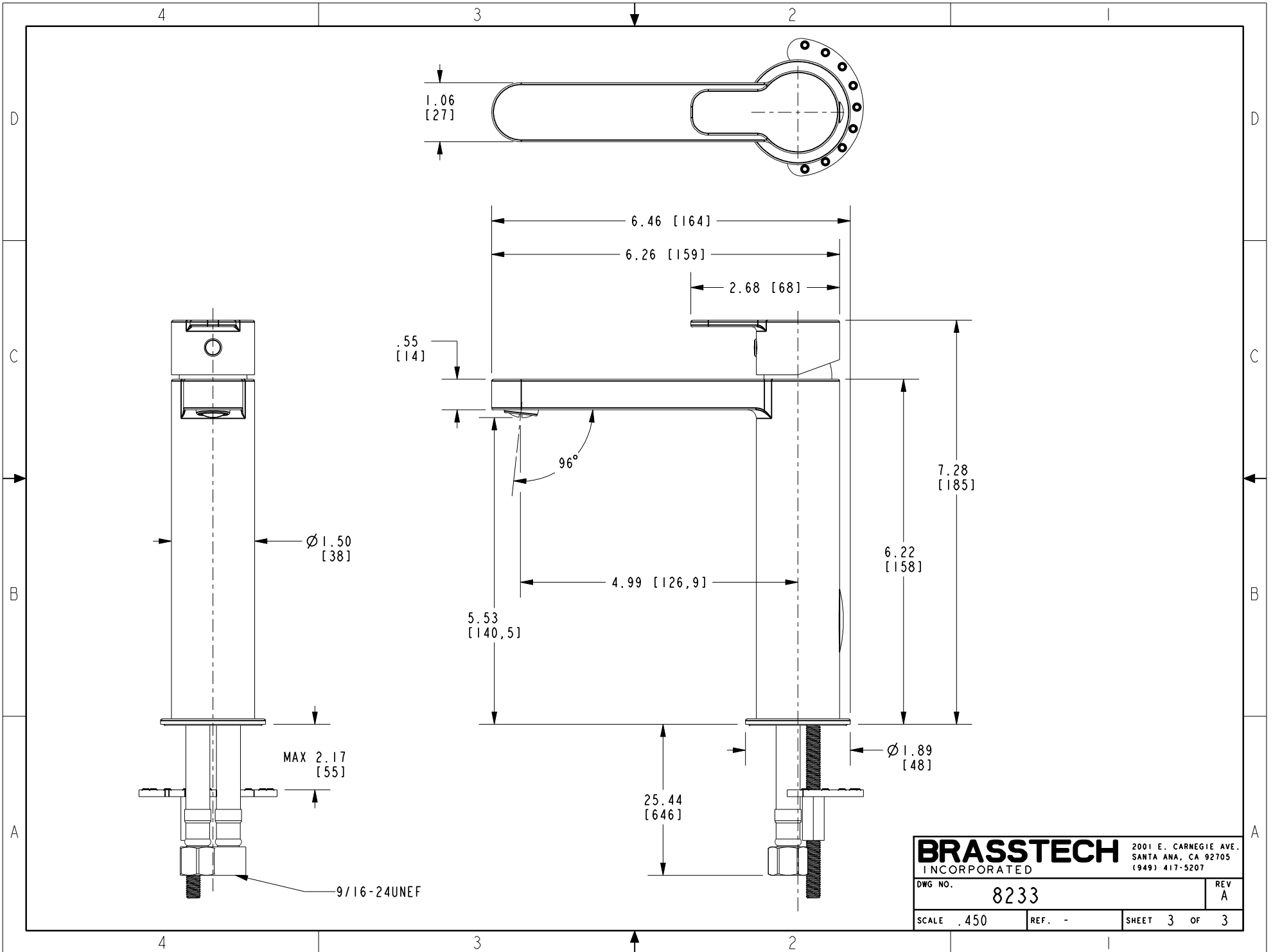
SINGLE HOLE LAVATORY FAUCET

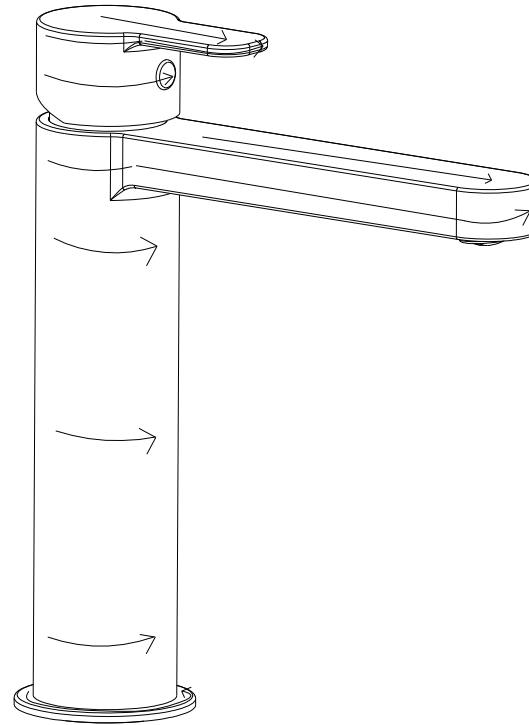
DWG NO. **8233** REV A

SCALE .500 REF. - SHEET 1 OF 3



BRASSTECH		2001 E. CARNEGIE AVE. SANTA ANA, CA 92705 (949) 417-5207	
INCORPORATED			
DWG NO.	8233	REV	A
SCALE .300	REF. -	SHEET 2	OF 3





J.A.
4/19/18

				Pro/E T81681AG-01-DH .prt	Do Not ScaleDrawing	Drawn			Drawing NO.	T81681		
				TOLERANCE : .XX = ± .01 .XXX = ± .005 ANGLE = ± .5°	Approved	Checked			Dahaja Inc. 德邑大卫浴有限公司		Part Description:	
						Assert: This drawing and the information contained hereon is confidential and property to Dahaja Inc. , is received in confidence and shall not be used, copied, or disclosed to others without the written permission from Dahaja Inc. .		Scale 1:2			Unit inch Material	
Mark	Description of Change	Date	By									