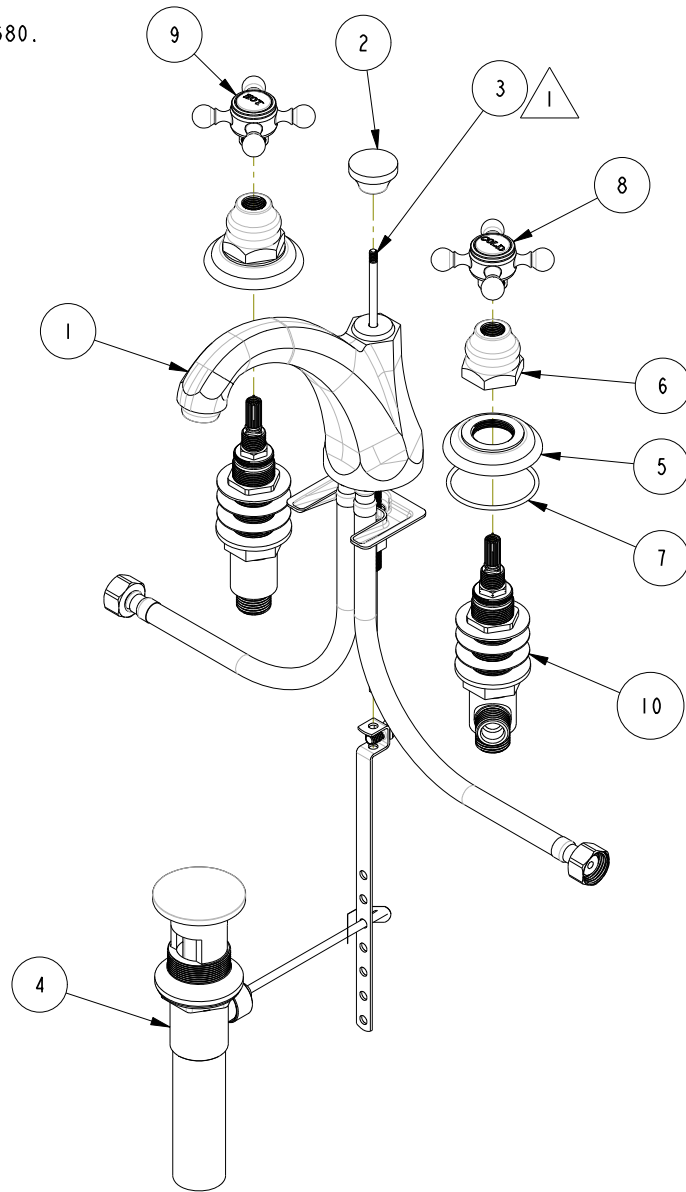


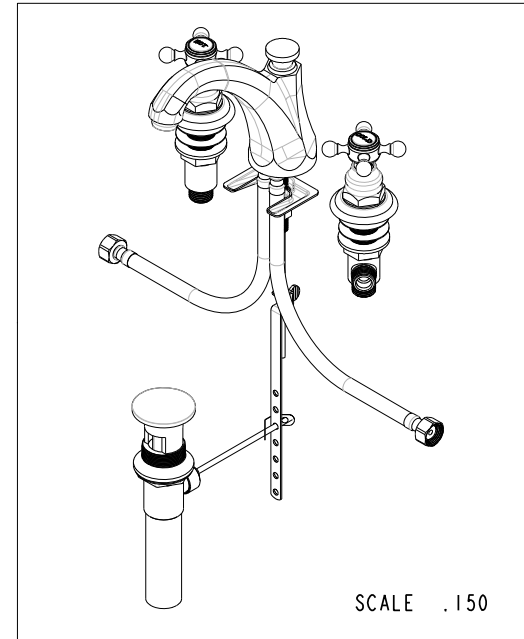
NOTES:

1. APPLY ADHESIVE LOCTITE 680.



**BILL OF MATERIAL (CURRENT LEVEL)**

ITEM	PT/ASSY	DESCRIPTION	TYPE	QTY.
1	3-539	SPOUT ASM	ASSEMBLY	1
2	10961	SMOOTH POP - UP KNOB	PART	1
3	10288	3/16" POP UP ROD	PART	1
4	325	POP UP ASSEMBLY	ASSEMBLY	1
5	10048	ESCUTCHEON W/S VALVE	PART	2
6	10523	HEX ESCUTCHEON BONNET	PART	2
7	91231	O-RING, #2-136, EPDM, 65-75 DURO	PART	2
8	2-142	HANDLE ONLY, COLD	ASSEMBLY	1
9	2-141	HANDLE ONLY, HOT	ASSEMBLY	1
10	1-525	W/S VALVE INSTALLATION	ASSEMBLY	1



COPYRIGHT 2005 BRASSTECH, INC. THESE DRAWINGS AND THE DESIGNS DEPICTED HEREIN ARE THE PROPRIETARY PROPERTY OF BRASSTECH. ANY USE OR REPRODUCTION IS SUBJECT TO THE EXPRESS APPROVAL OF BRASSTECH. UNAUTHORIZED USE IS STRICTLY PROHIBITED. ALL RIGHTS RESERVED.

**BRASSTECH**  
INCORPORATED  
2001 CARNEGIE AVE.  
SANTA ANA, CA 92705  
(949) 417-5207

WIDESPREAD FAUCET

ASSY. NO. 920C

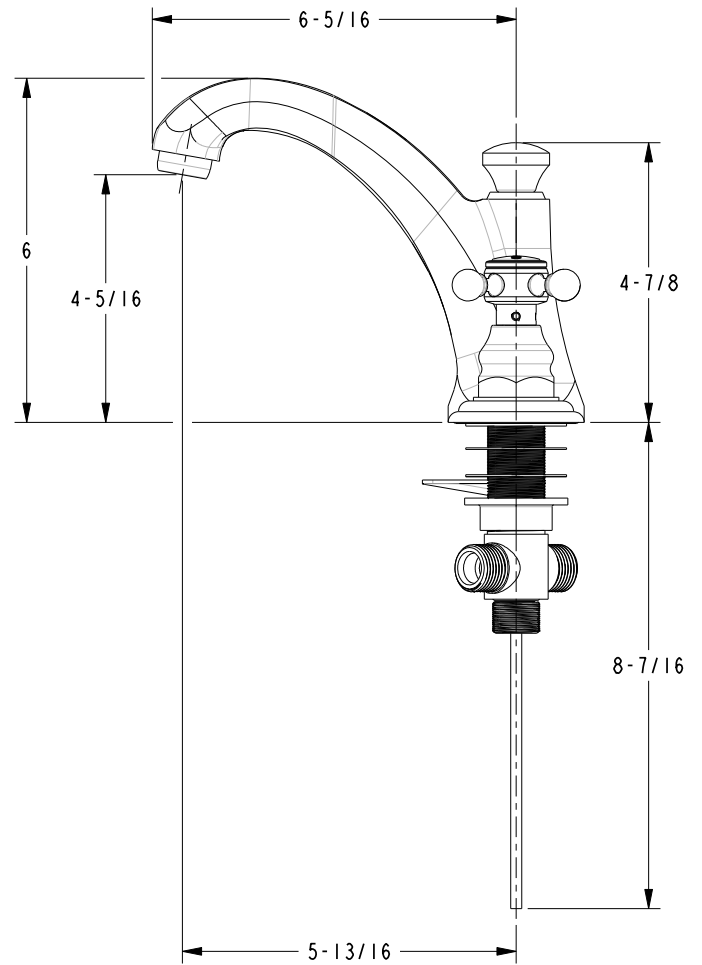
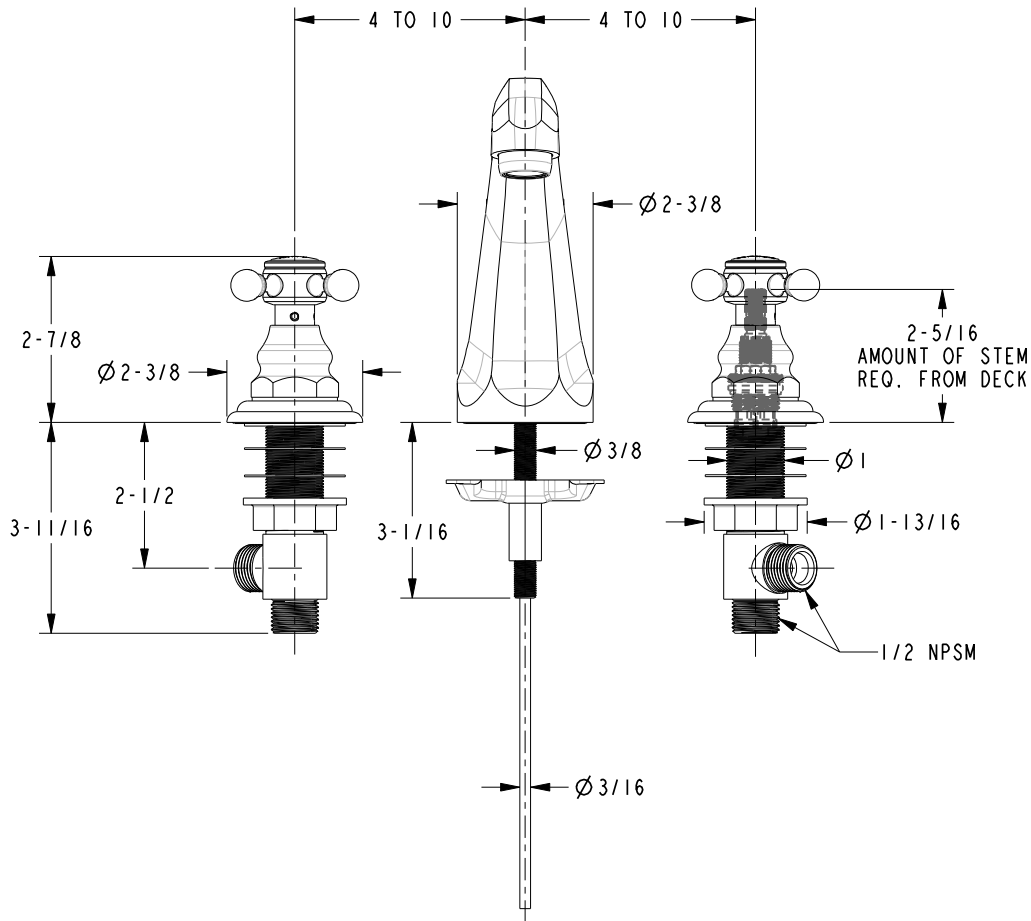
SCALE .220

REF. -

SHEET 1 OF 2

REV	REV DESC	DATE
A	EN-2832	11/06/14
-	EN-2781	08/18/14

**SPECIFICATION DWG**



DIMENSIONS ARE IN INCHES AND AN APPROXIMATION OF A TYPICAL INSTALLATION

COPYRIGHT 2005 BRASSTECH, INC. THESE DRAWINGS AND THE DESIGNS DEPICTED HEREIN ARE THE PROPRIETARY PROPERTY OF BRASSTECH. ANY USE OR REPRODUCTION IS SUBJECT TO THE EXPRESS APPROVAL OF BRASSTECH. UNAUTHORIZED USE IS STRICTLY PROHIBITED. ALL RIGHTS RESERVED.

<b>BRASSTECH</b>		2001 CARNEGIE AVE.
INCORPORATED		SANTA ANA, CA 92705
		(949) 417-5207
DWG NO.	920C	REV A
SCALE .300	REF. -	SHEET 2 OF 2