

BILL OF MATERIAL (CURRENT LEVEL)				
ITEM	PT/ASSY	DESCRIPTION	TYPE	QTY.
1	2-235	BIDET DIVERTER / V. BRE	ASSEMBLY	1
2	2-159	POP-UP ROD GUIDE ASSEMBLY	ASSEMBLY	1
3	10104	KNOB POP-UP 880 SERIES	PART	1
4	10288	3/16" POP UP ROD	PART	1
5	2-236	DOUCHE SPRAY ASSEMBLY	ASSEMBLY	1
6	325	POP UP ASSEMBLY	ASSEMBLY	1
7	3-159	TRIM KIT - STOP VALVE	ASSEMBLY	2
8	1-542	VALVE KIT - BIDET	ASSEMBLY	1

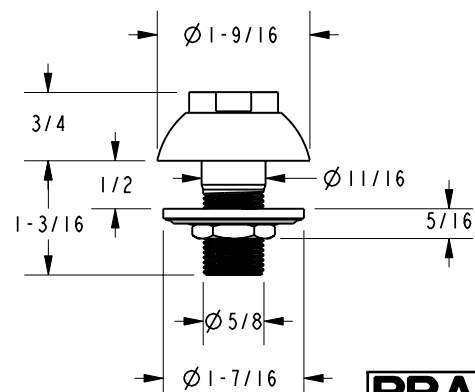
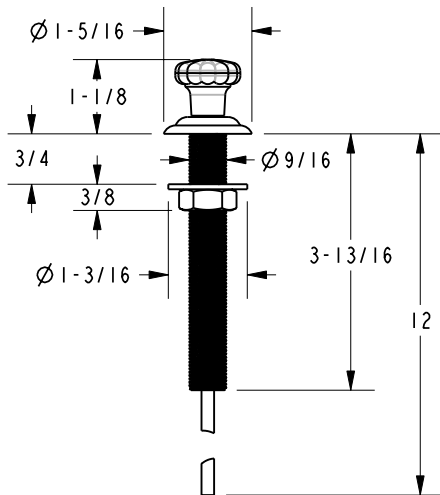
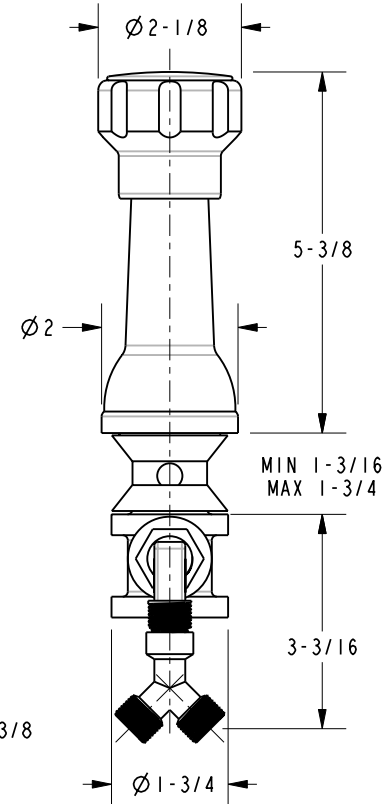
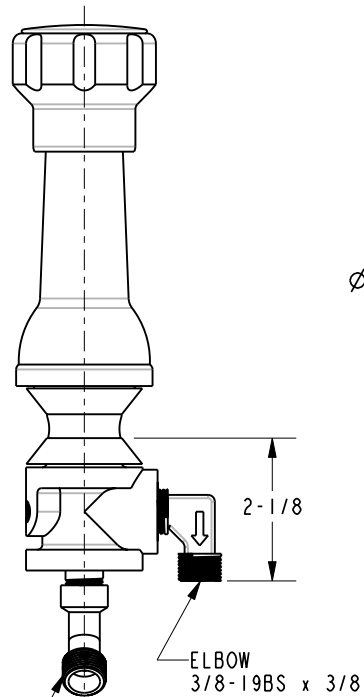
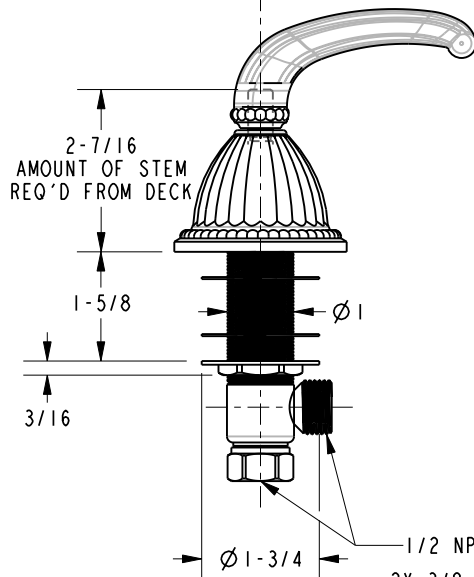
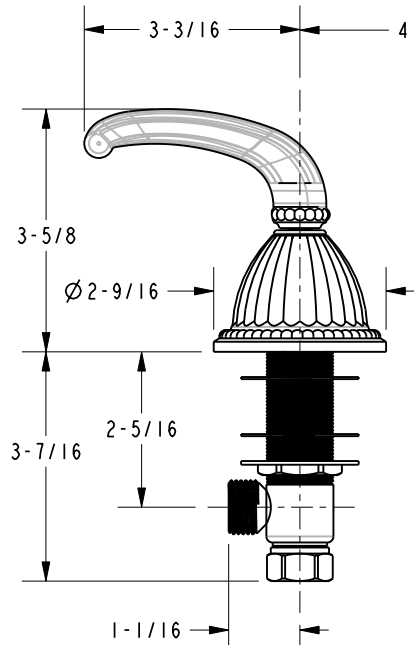
BRASSTECH 2001 E. CARNEGIE AVE.
 INCORPORATED SANTA ANA, CA 92705
 (949) 417-5207

BIDET SET WITH VACUUM BREAKER

ASSY. NO.		889			
SCALE 0.188	REF. -	SHEET 1 OF 2	REV	RELEASED	04/28/06
			REV DESC	DATE	

COPYRIGHT 2005 BRASSTECH, INC. THESE DRAWINGS AND THE DESIGNS DEPICTED HEREIN ARE THE PROPRIETARY PROPERTY OF BRASSTECH. ANY USE OR REPRODUCTION IS SUBJECT TO THE EXPRESS APPROVAL OF BRASSTECH. UNAUTHORIZED USE IS STRICTLY PROHIBITED. ALL RIGHTS RESERVED.

SPECIFICATION DWG



DIMENSIONS ARE IN INCHES AND AN APPROXIMATION OF A TYPICAL INSTALLATION

COPYRIGHT 2005 BRASSTECH, INC. THESE DRAWINGS AND THE DESIGNS DEPICTED HEREIN ARE THE PROPRIETARY PROPERTY OF BRASSTECH. ANY USE OR REPRODUCTION IS SUBJECT TO THE EXPRESS APPROVAL OF BRASSTECH. UNAUTHORIZED USE IS STRICTLY PROHIBITED. ALL RIGHTS RESERVED.

SCALE 0.500

BRASSTECH		2001 E. CARNEGIE AVE. SANTA ANA, CA 92705 (949) 417-5207	
DWG NO.	889	REV	-
SCALE 0.350	REF. -	SHEET 2	OF 2