

4 3 2 1

| BILL OF MATERIAL (CURRENT LEVEL) | | | | |
|----------------------------------|---------|--------------------------|----------|------|
| ITEM | PT/ASSY | DESCRIPTION | TYPE | QTY. |
| 1 | 2-224 | COVERPLATE BP W/DIVERTER | ASSEMBLY | 1 |
| 2 | 2-217 | DIVERTER TRIM KIT | ASSEMBLY | 1 |
| 3 | 3-159 | TRIM KIT - STOP VALVE | ASSEMBLY | 1 |

D

D

C

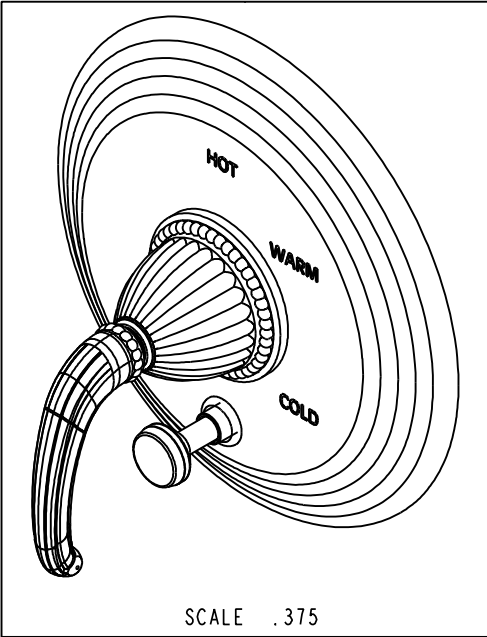
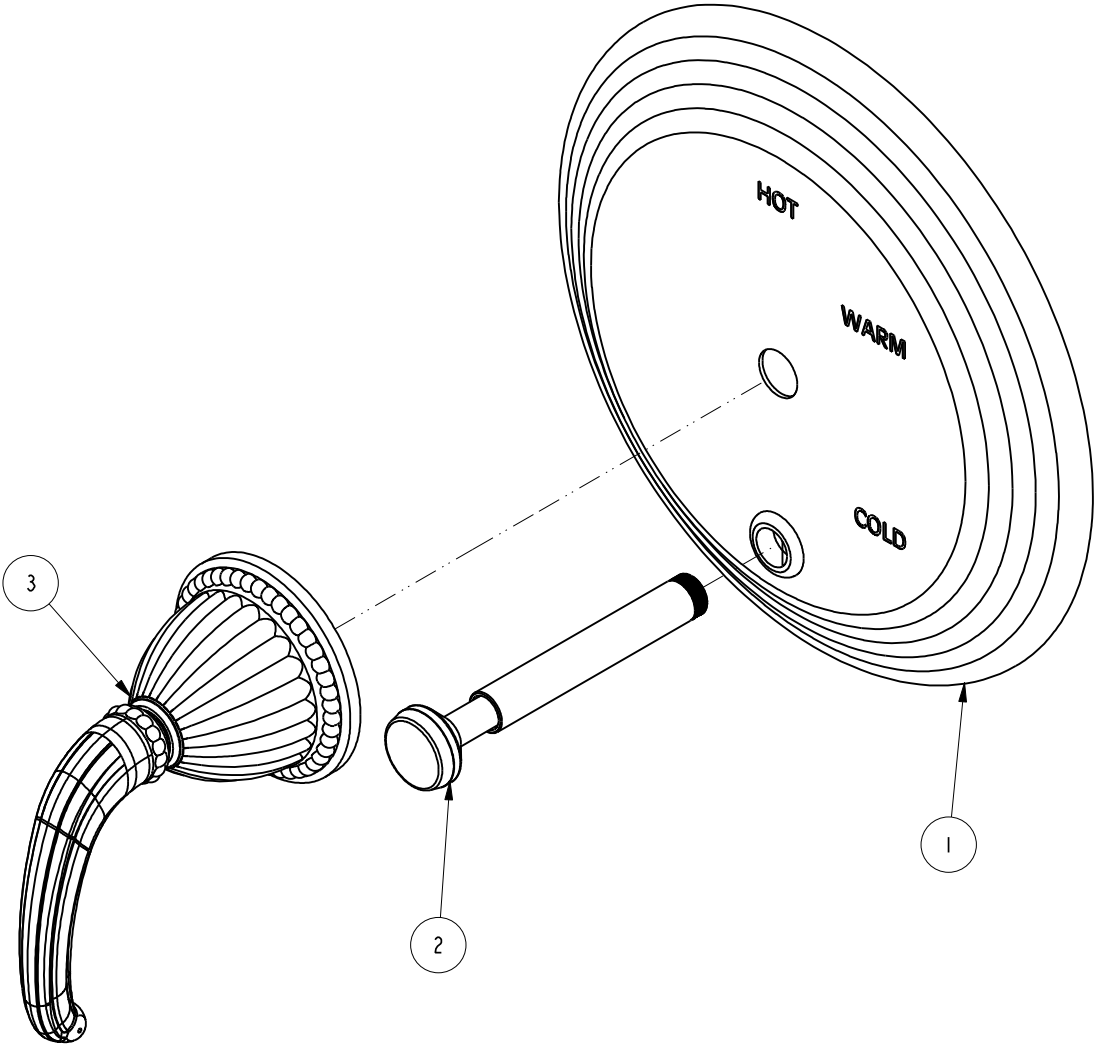
C

B

B

A

A



COPYRIGHT 2005 BRASSTECH, INC. THESE DRAWINGS AND THE DESIGNS DEPICTED HEREIN ARE THE PROPRIETARY PROPERTY OF BRASSTECH. ANY USE OR REPRODUCTION IS SUBJECT TO THE EXPRESS APPROVAL OF BRASSTECH. UNAUTHORIZED USE IS STRICTLY PROHIBITED. ALL RIGHTS RESERVED.

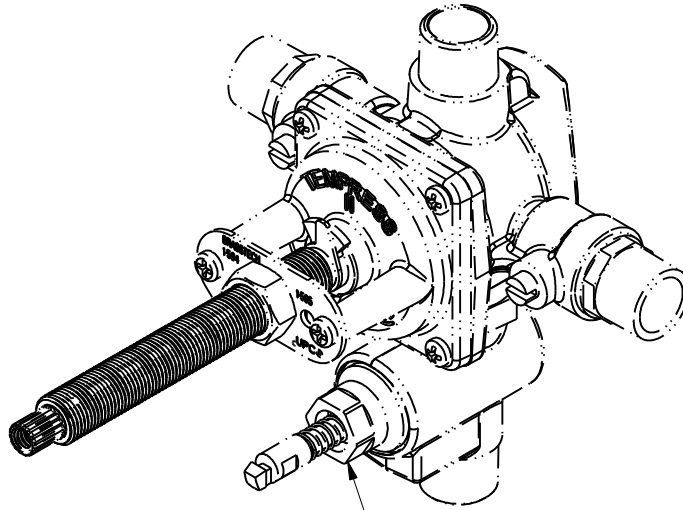
BRASSTECH
 INCORPORATED
 2001 CARNEGIE AVE.
 SANTA ANA, CA 92705
 (949) 417-5207

ALEXANDRIA - BP TRIM PLATE WITH DIVERTER

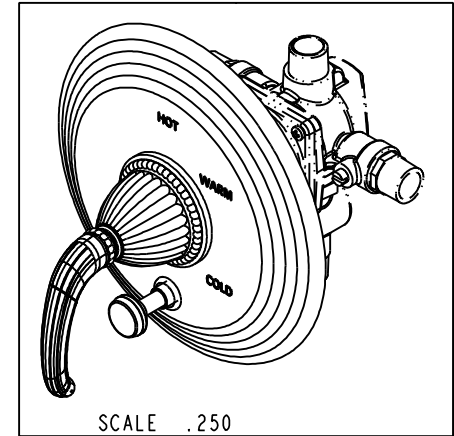
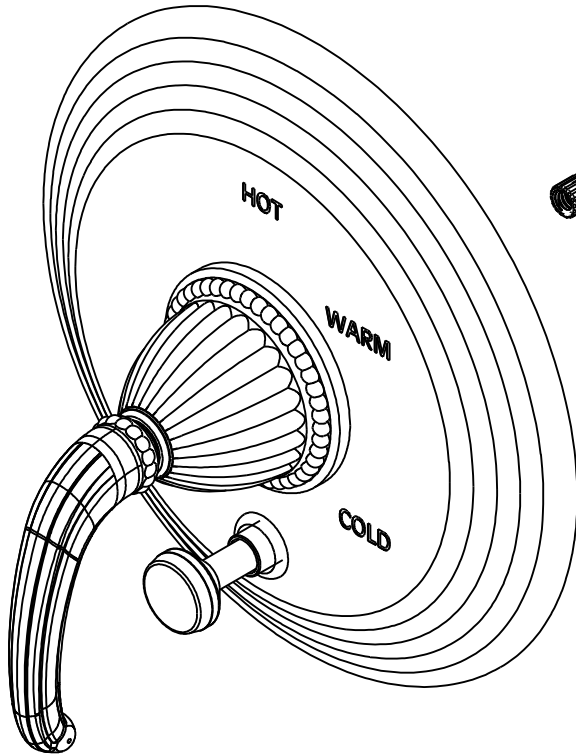
| | | | | | | |
|------------|--|---------|--|--------------|----------|------|
| ASSY. NO. | | 5-882BP | | - | - | - |
| SCALE .500 | | REF. - | | SHEET 1 OF 3 | | REV |
| | | | | EN-2735 | 04/30/14 | DATE |
| | | | | REV | REV DESC | DATE |

4 3 2 1

SPECIFICATION DWG



PN: 1-595
SOLD SEPARATELY



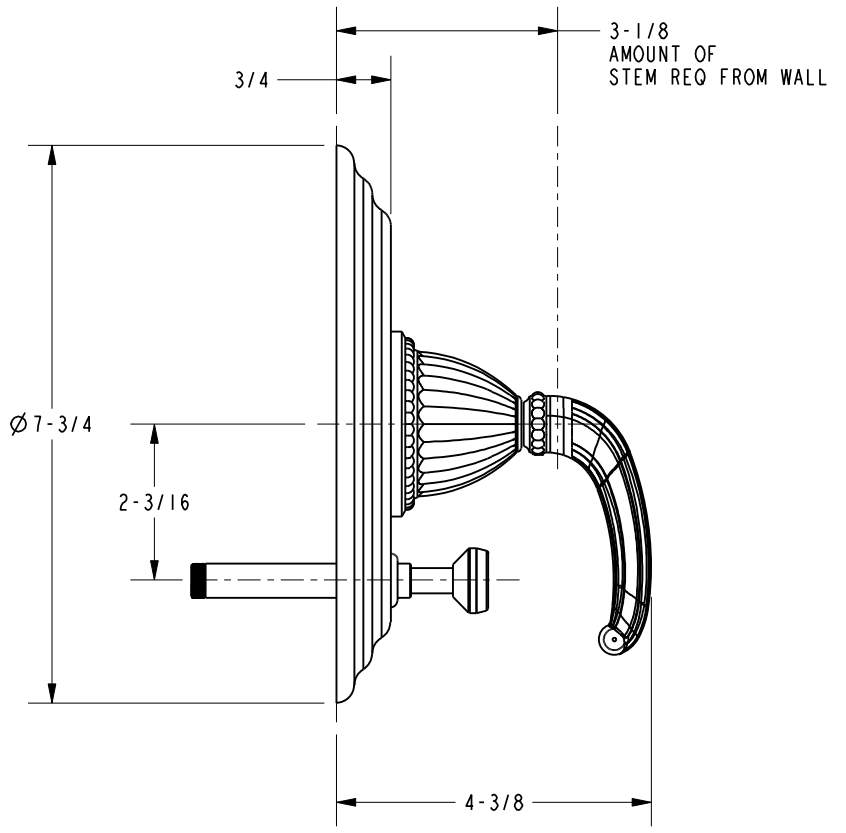
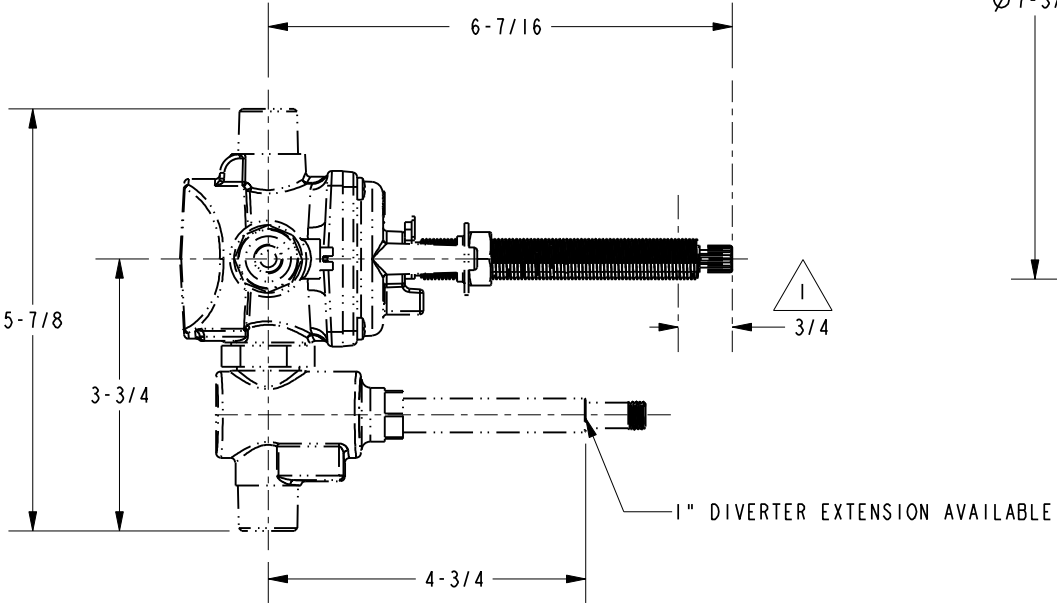
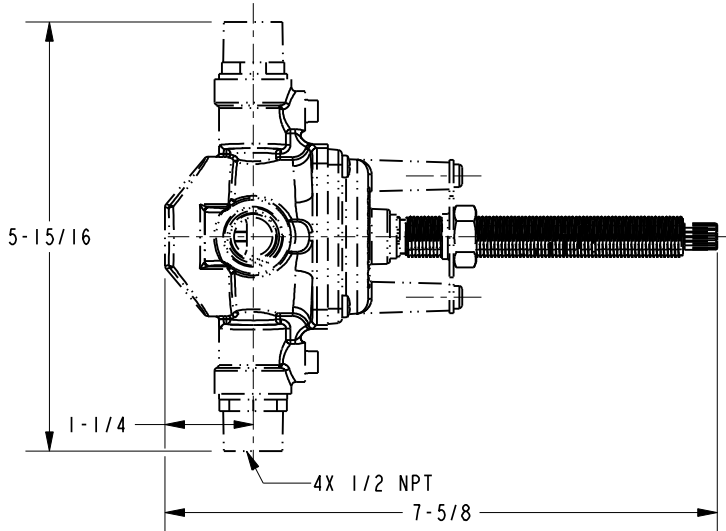
DIMENSIONS ARE IN INCHES AND AN APPROXIMATION OF A TYPICAL INSTALLATION

COPYRIGHT 2005 BRASSTECH, INC. THESE DRAWINGS AND THE DESIGNS DEPICTED HEREIN ARE THE PROPRIETARY PROPERTY OF BRASSTECH. ANY USE OR REPRODUCTION IS SUBJECT TO THE EXPRESS APPROVAL OF BRASSTECH. UNAUTHORIZED USE IS STRICTLY PROHIBITED. ALL RIGHTS RESERVED.

| | | | |
|----------------------------------|---------|---|------|
| BRASSTECH INCORPORATED | | 2001 CARNEGIE AVE. SANTA ANA, CA 92705 (949) 417-5207 | |
| DWG NO. | 5-882BP | REV | - |
| SCALE .500 | REF. - | SHEET 2 | OF 3 |

SPECIFICATION DWG

- NOTES:
 1. CUT ALL-THREAD 3/4" SHORTER THAN STEM.



DIMENSIONS ARE IN INCHES AND AN APPROXIMATION OF A TYPICAL INSTALLATION

COPYRIGHT 2005 BRASSTECH, INC. THESE DRAWINGS AND THE DESIGNS DEPICTED HEREIN ARE THE PROPRIETARY PROPERTY OF BRASSTECH. ANY USE OR REPRODUCTION IS SUBJECT TO THE EXPRESS APPROVAL OF BRASSTECH. UNAUTHORIZED USE IS STRICTLY PROHIBITED. ALL RIGHTS RESERVED.

| | | | |
|------------------|---------|---|----------|
| BRASSTECH | | 2001 CARNEGIE AVE. SANTA ANA, CA 92705 (949) 417-5207 | |
| DWG NO. | 5-882BP | | REV - |
| SCALE .375 | REF. - | SHEET 3 | OF 3 |