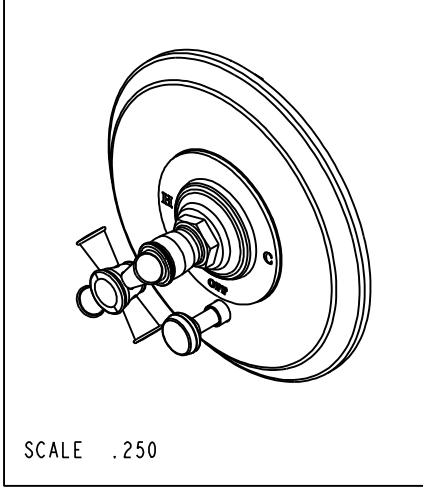


NOTES:

(NI) 1. FIT / FORM / FUNCTION SHALL FOLLOW PS-E.008.

BILL OF MATERIAL (CURRENT LEVEL)

ITEM	PT/ASSY	DESCRIPTION	TYPE	QTY.
1	2-659	TUB/SHOWER PLATE	ASSEMBLY	1
2	2-217	DIVERTER TRIM KIT	ASSEMBLY	1
3	3-562	CROSS HANDLE W/ESC.	ASSEMBLY	1



COPYRIGHT 2005 BRASSTECH, INC. THESE DRAWINGS AND THE DESIGNS DEPICTED HEREIN ARE THE PROPRIETARY PROPERTY OF BRASSTECH. ANY USE OR REPRODUCTION IS SUBJECT TO THE EXPRESS APPROVAL OF BRASSTECH. UNAUTHORIZED USE IS STRICTLY PROHIBITED. ALL RIGHTS RESERVED.

ZONE	REV	DESCRIPTION	DATE	APPROVED
-	-	EN-2838c	08/10/15	J.M

TESTING	ASSEMBLY	PLATING	POLISHING	MACHINING	TOOLING FIXTURE #
-	-	-	-	-	-
					REMOVE ALL BURRS AND SHARP EDGES

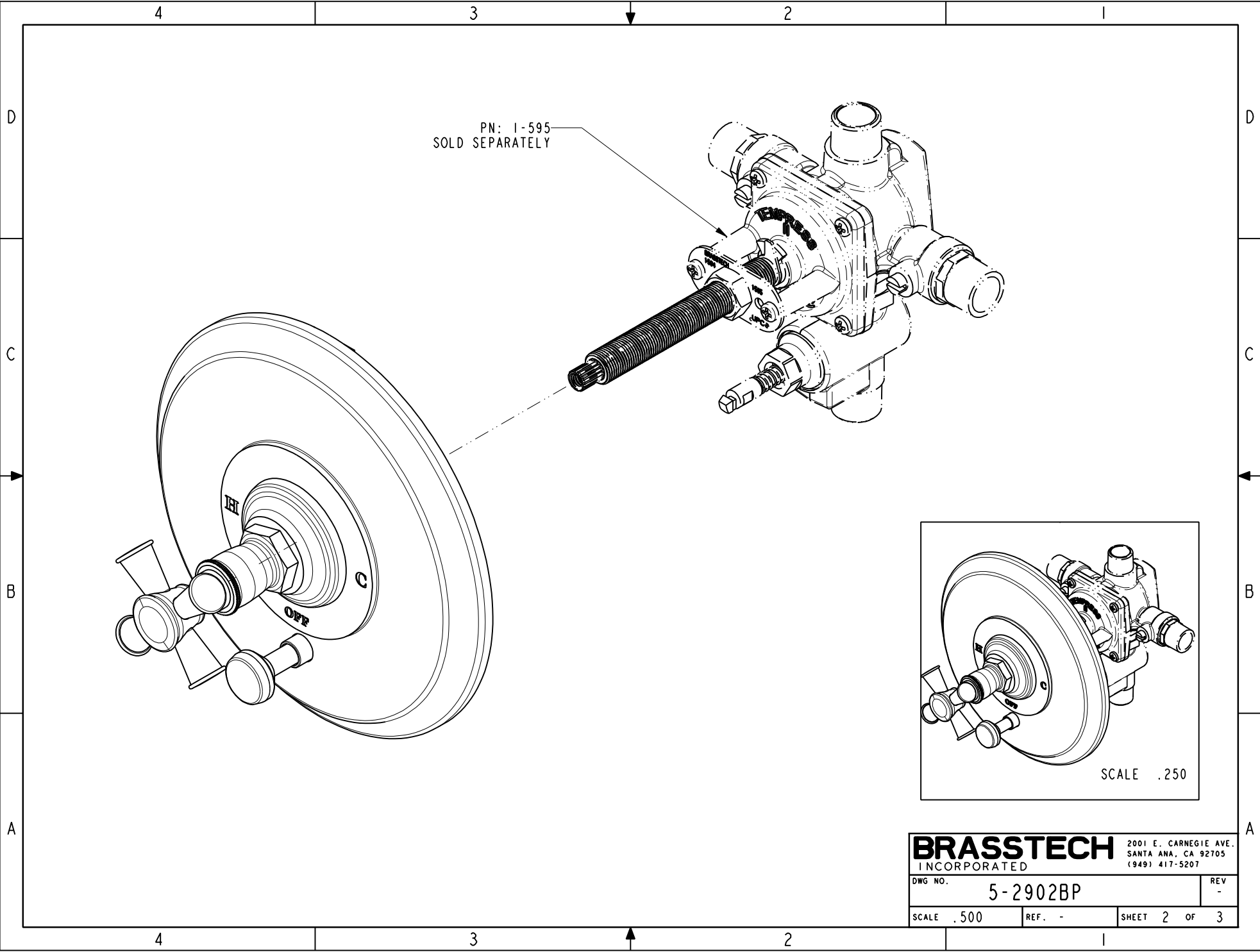
UNITS ARE:	TOLERANCES ARE:
INCHES [MM]	
FRACTIONS DECIMALS	ANGLES
$\pm 1/16"$	$\pm 1"$
$.X \pm .1$ [2.5]	
$.XX \pm .06$ [1.5]	
(X.XXX) DENOTES CRITICAL DIMS. ALL THREADS ARE CRITICAL	
DRAWN	JINSON 08/10/15
CHECKED	RAVINDRA 08/10/15
APPROVED	J.M 08/10/15

BRASSTECH INCORPORATED
 2001 CARNEGIE AVE. SANTA ANA, CA 92705 (949) 417-5207

BP TRIM PLATE WITH DIVERTER

DWG NO. **5-2902BP** REV -

SCALE .500 REF. - SHEET | OF 3

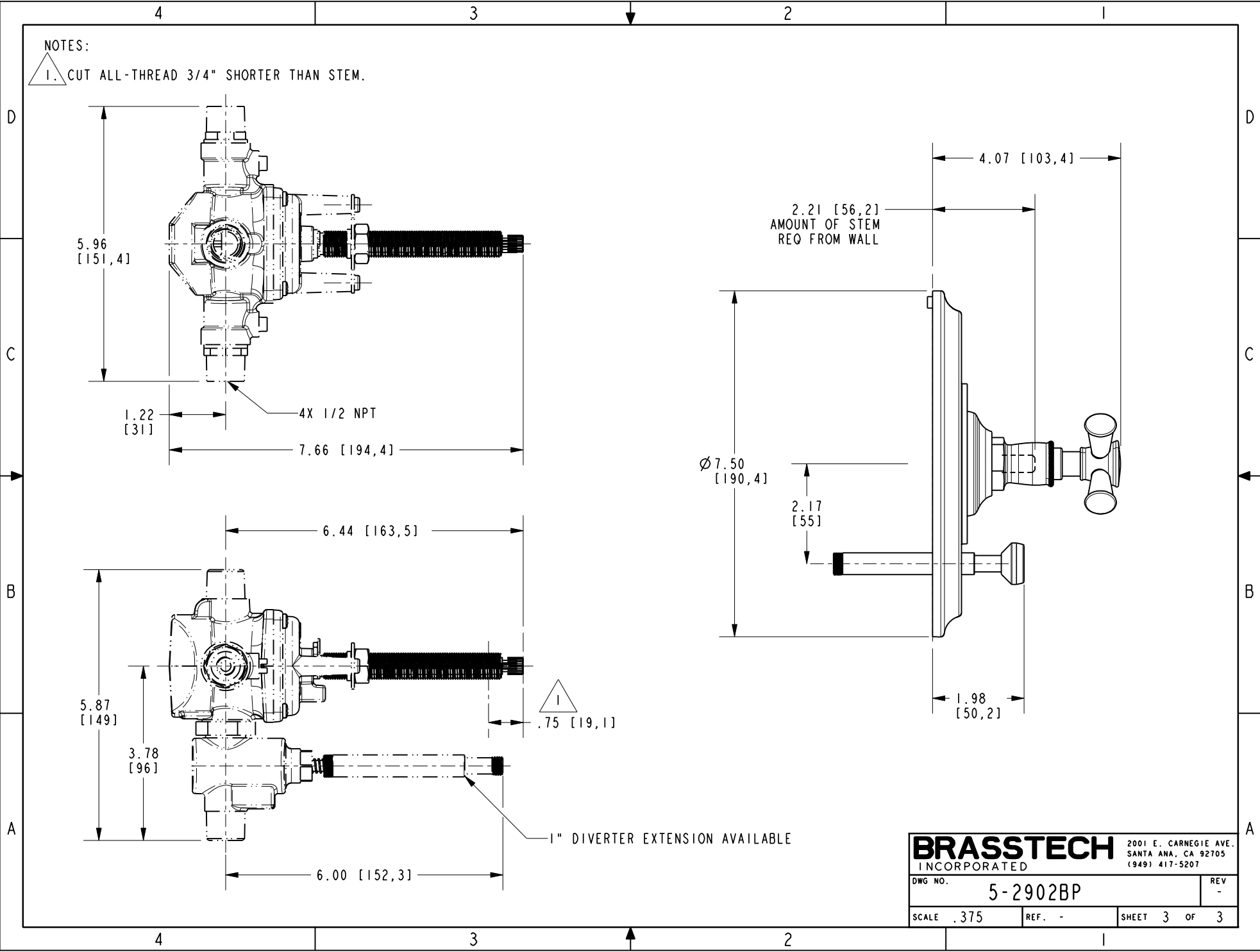


BRASSTECH 2001 E. CARNEGIE AVE.
INCORPORATED SANTA ANA, CA 92705
(949) 417-5207

DWG NO.	5-2902BP	REV	-
SCALE .500	REF. -	SHEET 2	OF 3

NOTES:

1. CUT ALL-THREAD 3/4" SHORTER THAN STEM.



BRASSTECH		2001 E. CARNEGIE AVE.	
INCORPORATED		SANTA ANA, CA 92705	
DWG. NO. 5-2902BP		REV -	
SCALE .375	REF. -	SHEET 3 OF 3	