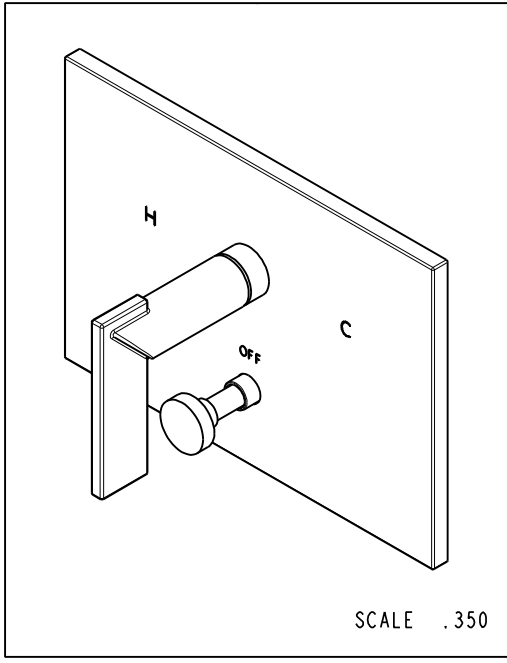


NOTES:

(N1) 1. FIT / FORM / FUNCTION SHALL FOLLOW PS-E.008.

BILL OF MATERIAL (CURRENT LEVEL)

ITEM	PT/ASSY	DESCRIPTION	TYPE	QTY.
1	8-032	TUB & SHOWER PLATE ASM	ASSEMBLY	1
2	20-300	LEVER ASM	ASSEMBLY	1
3	8-031	DIVERTER TRIM	ASSEMBLY	1



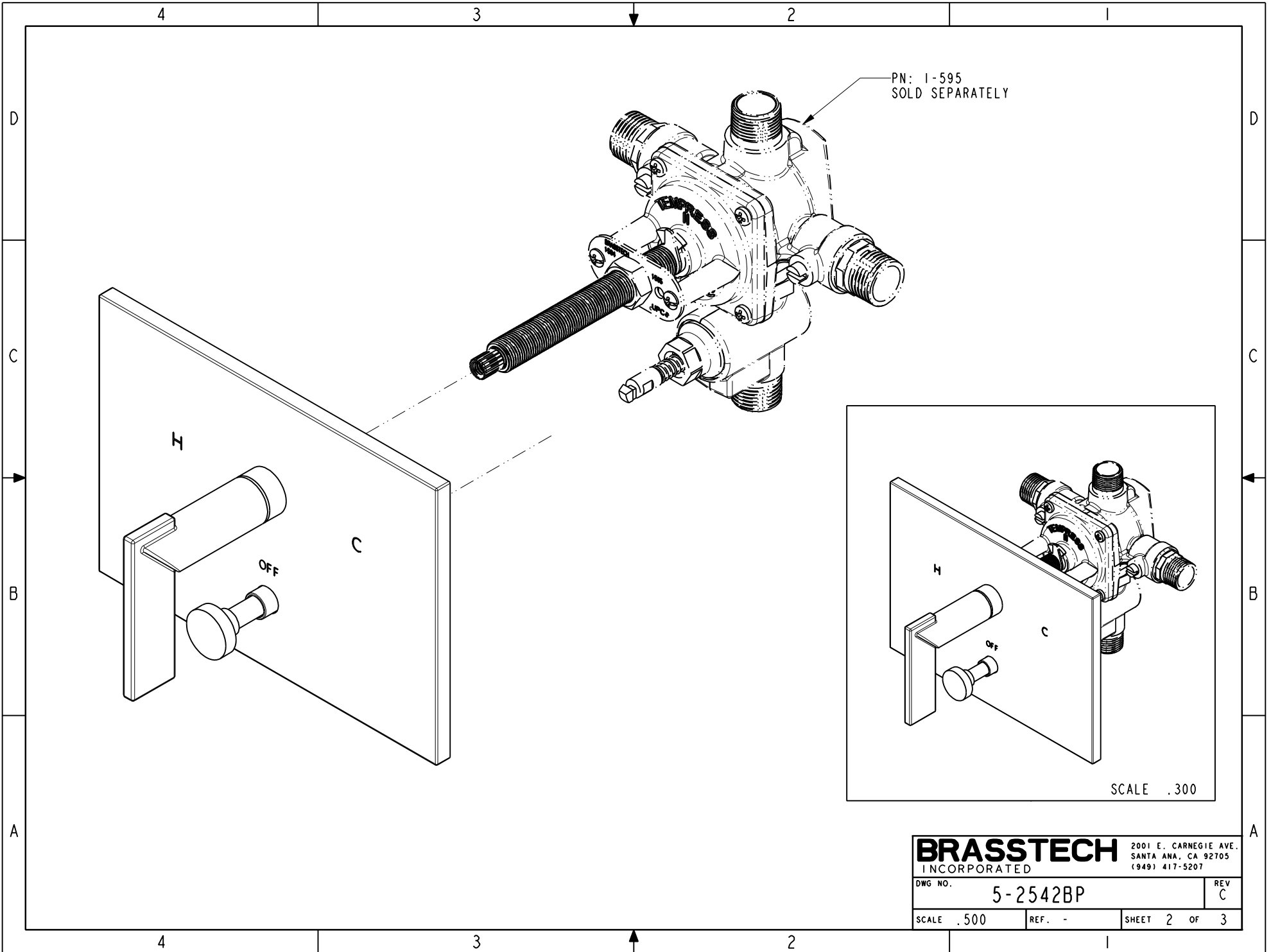
ZONE	REV	DESCRIPTION	DATE	APPROVED
-	C	EN-3334	01/09/18	J.A.
-	B	EN-3178	11/01/16	J.M.
-	A	EN-2997	08/25/16	J.A.
-	-	EN-2735	04/30/14	J.M.

COPYRIGHT 2005 BRASSTECH, INC. THESE DRAWINGS AND THE DESIGNS DEPICTED HEREIN ARE THE PROPRIETARY PROPERTY OF BRASSTECH. ANY USE OR REPRODUCTION IS SUBJECT TO THE EXPRESS APPROVAL OF BRASSTECH. UNAUTHORIZED USE IS STRICTLY PROHIBITED. ALL RIGHTS RESERVED.

TESTING	ASSEMBLY	PLATING	POLISHING	MACHINING	TOOLING FIXTURE #	APPLICATION
-	-	-	-	-	-	REMOVE ALL BURRS AND SHARP EDGES

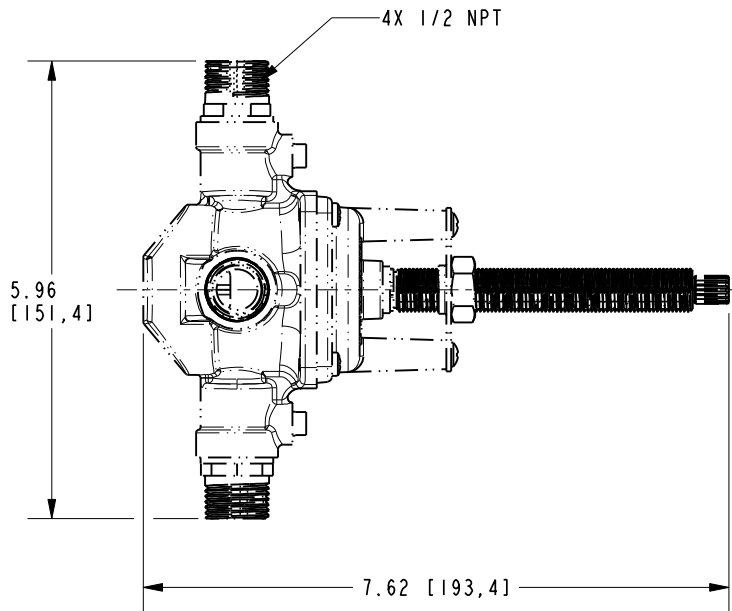
UNITS ARE: INCHES [MM]  
 TOLERANCES ARE:  
 FRACTIONS DECIMALS ANGLES  
 $\pm 1/16"$  .X  $\pm .1$  [2,5]  $\pm 1^\circ$   
 .XX  $\pm .06$  [1,5]  
 (X.XXX) DENOTES CRITICAL DIMS.  
 ALL THREADS ARE CRITICAL  
 DRAWN JINSON 01/09/18  
 CHECKED J.A. 01/09/18  
 APPROVED J.A. 01/09/18

**BRASSTECH** 2001 CARNEGIE AVE. SANTA ANA, CA 92705 (949) 417-5207  
 INCORPORATED  
**BP TRIM PLATE WITH DIVERTER, LEVER HANDLE**  
 DWG NO. 5-2542BP REV C  
 SCALE .500 REF. - SHEET 1 OF 3

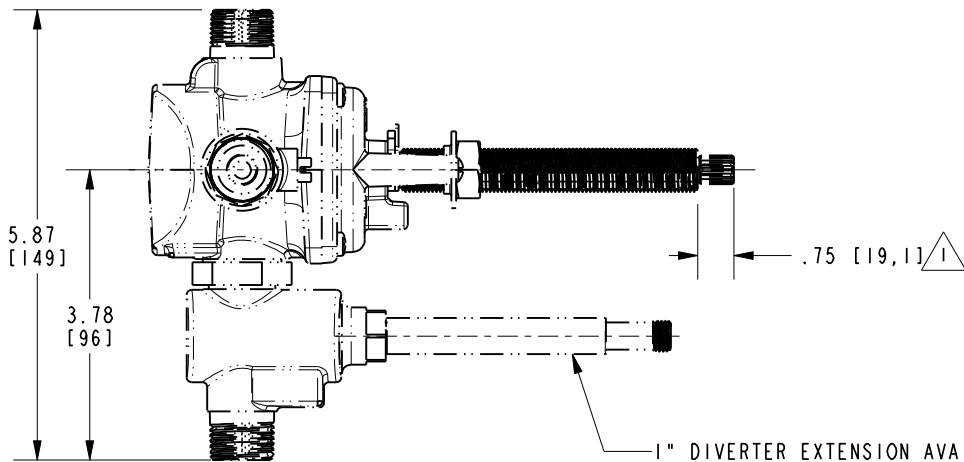
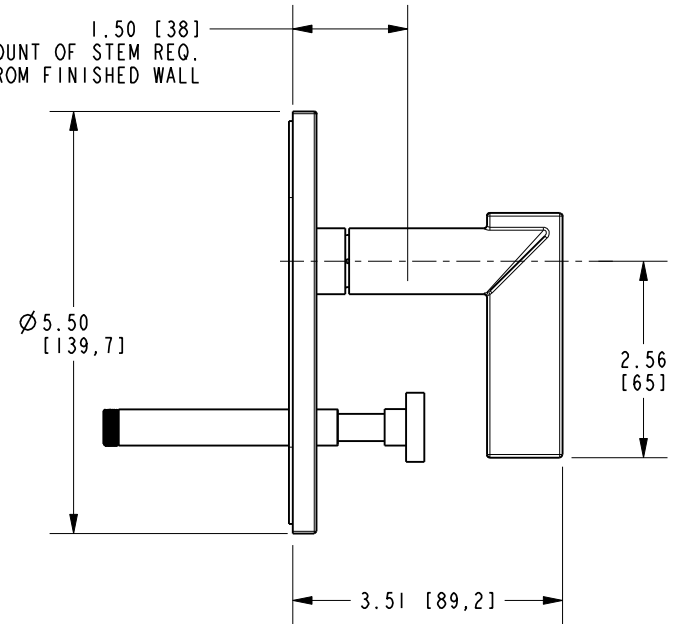


NOTES:

1. CUT ALL THREADS 0.75 SHORTER THAN STEM.



1.50 [38]  
AMOUNT OF STEM REQ.  
FROM FINISHED WALL



1" DIVERTER EXTENSION AVAILABLE

<b>BRASSTECH</b>		2001 E. CARNEGIE AVE. SANTA ANA, CA 92705 (949) 417-5207	
DWG NO.	5-2542BP	REV C	
SCALE .400	REF. -	SHEET 3 OF 3	