

4

3

2

1

NOTES:

(N1) 1. FIT / FORM / FUNCTION SHALL FOLLOW PS-E.008.

BILL OF MATERIAL (CURRENT LEVEL)

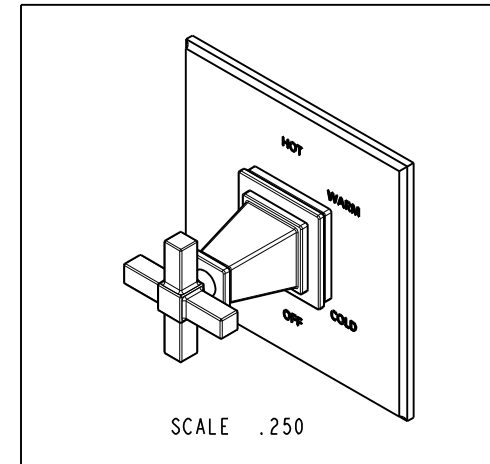
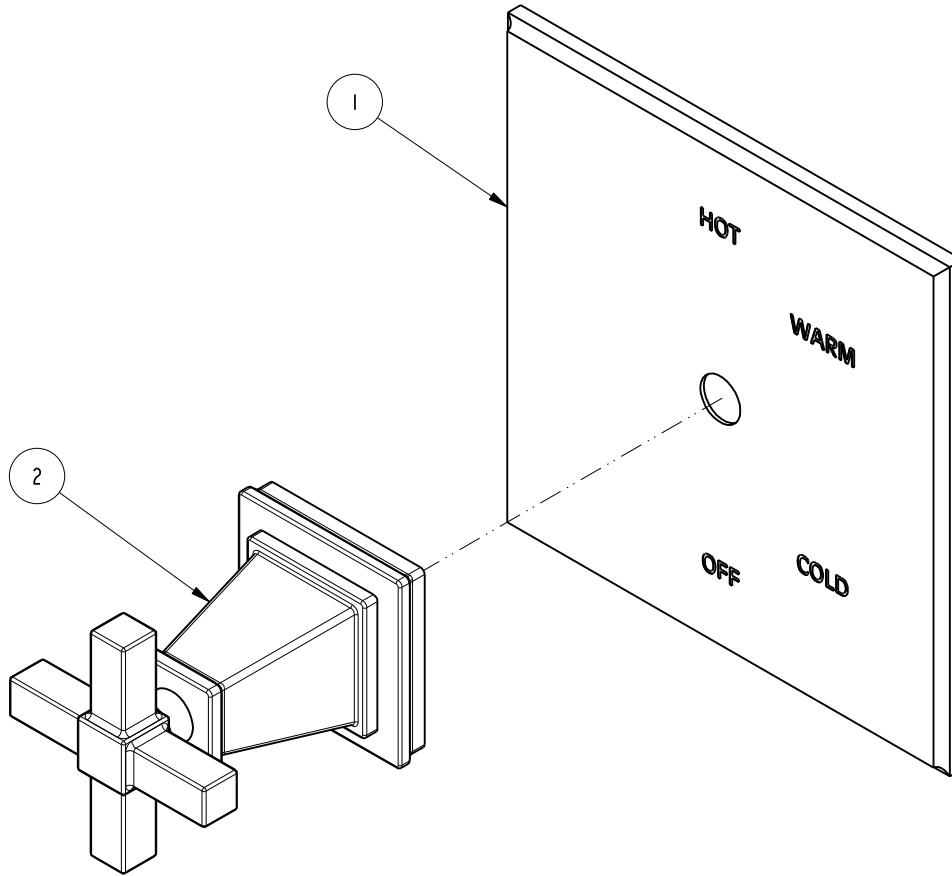
ITEM	PT/ASSY	DESCRIPTION	TYPE	QTY.
1	2-293	COVERPLATE BP	ASSEMBLY	1
2	3-581	CROSS HANDLE W/ESC.	ASSEMBLY	1

D

C

B

A



D

C

B

A

UNITS ARE: INCHES [MM]  
 TOLERANCES ARE:  
 FRACTIONS DECIMALS ANGLES  
 $\pm 1/16"$  .X  $\pm .1$  [2.5]  $\pm 1^\circ$   
 .XX  $\pm .06$  [1.5]

(X.XXX) DENOTES CRITICAL DIMS.  
 ALL THREADS ARE CRITICAL

DRAWN JINSON 08/11/16  
 CHECKED RAVINDRA 08/11/16  
 APPROVED J.M 08/11/16

**BRASSTECH** 2001 CARNEGIE AVE.  
 INCORPORATED SANTA ANA, CA 92705  
 (949) 417-5207

BP SHOWER TRIM

DWG NO. 4-3154BP REV -

SCALE .500 REF. - SHEET 1 OF 3

COPYRIGHT 2005 BRASSTECH, INC.  
 THESE DRAWINGS AND THE DESIGNS  
 DEPICTED HEREIN ARE THE PROPRIETARY  
 PROPERTY OF BRASSTECH. ANY USE  
 OR REPRODUCTION IS SUBJECT TO  
 THE EXPRESS APPROVAL OF BRASSTECH.  
 UNAUTHORIZED USE IS STRICTLY  
 PROHIBITED. ALL RIGHTS RESERVED.

ZONE	REV	DESCRIPTION	DATE	APPROVED
-	-	EN-3061	08/11/16	J.M

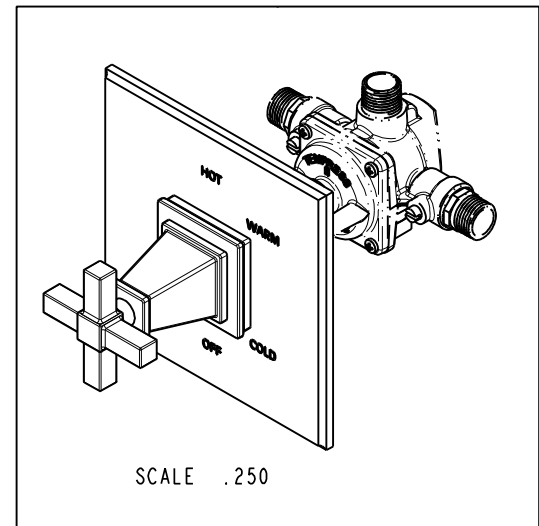
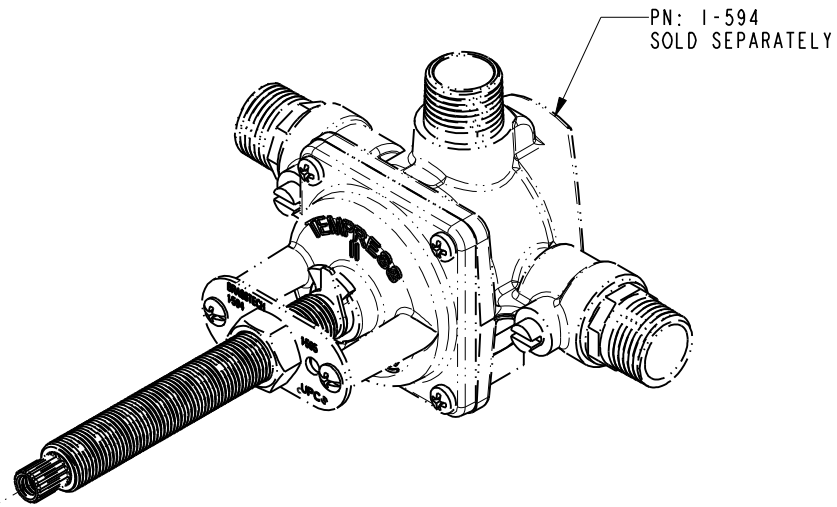
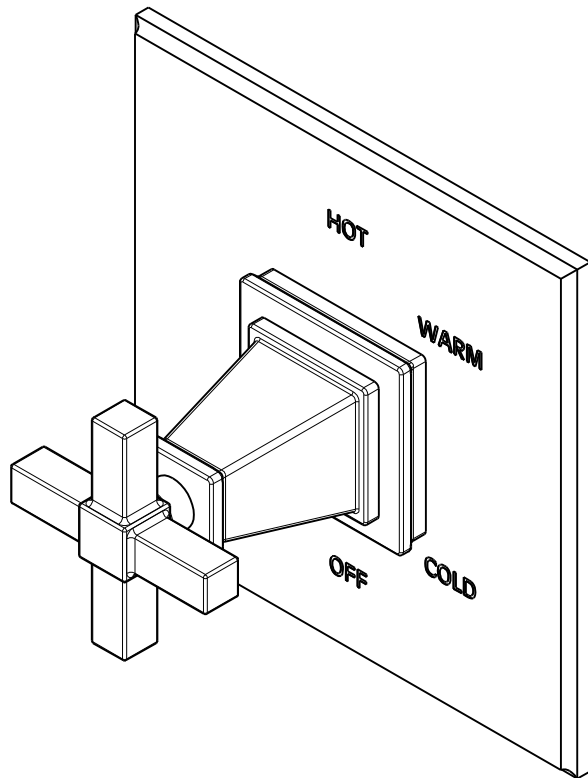
TESTING	ASSEMBLY	PLATING	POLISHING	MACHINING	TOOLING FIXTURE #	APPLICATION
-	-	-	-	-	-	REMOVE ALL BURRS AND SHARP EDGES
-	-	-	-	-	-	NEXT ASSY USED ON

4

3

2

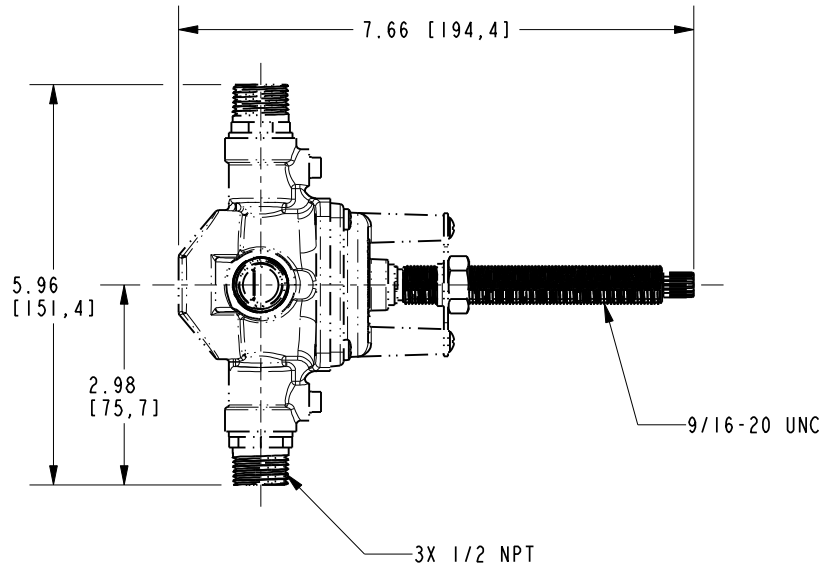
1



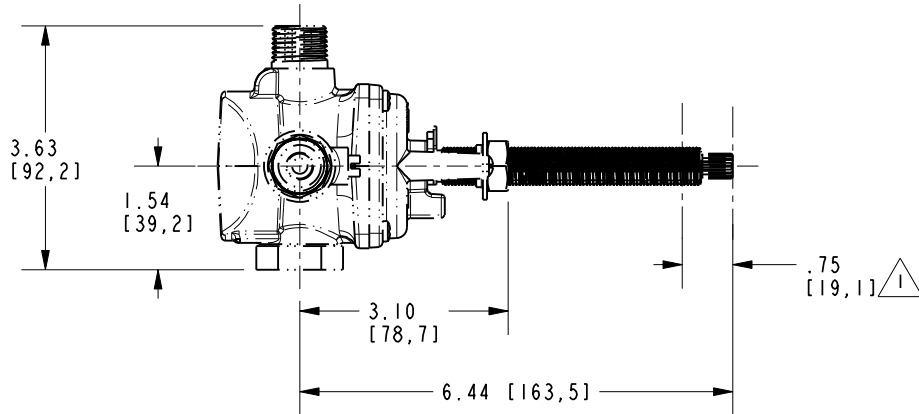
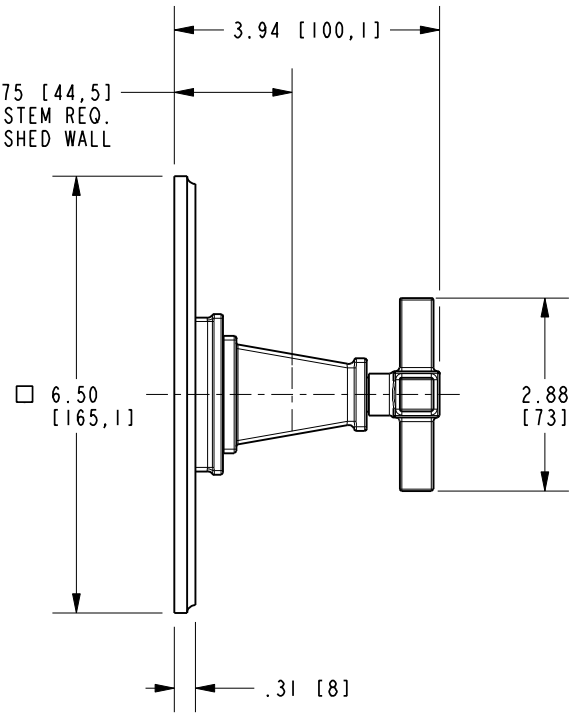
<b>BRASSTECH</b>		2001 E. CARNEGIE AVE.	
INCORPORATED		SANTA ANA, CA 92705	
DWG NO. 4-3154BP		REV -	
SCALE .500	REF. -	SHEET 2 OF 3	

NOTES:

1. CUT ALL-THREAD .75" SHORTER THAN STEM.



1.75 [44,5]  
AMOUNT OF STEM REQ.  
FROM FINISHED WALL



**BRASSTECH** 2001 E. CARNEGIE AVE.  
INCORPORATED SANTA ANA, CA 92705  
(949) 417-5207

DWG NO.	4-3154BP	REV	-
SCALE	.350	REF.	-
SHEET 3		OF 3	