

4

3

2

1

NOTES:

(N1) 1. FIT / FORM / FUNCTION SHALL FOLLOW PS-E.008.

BILL OF MATERIAL (CURRENT LEVEL)

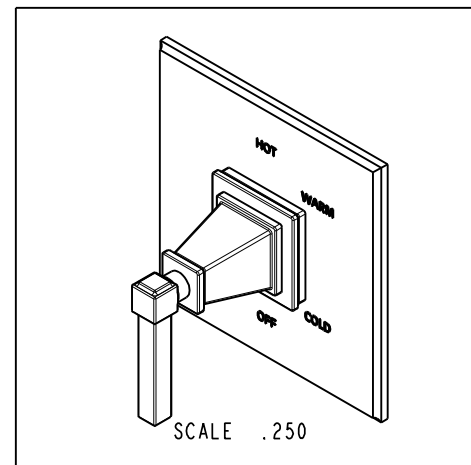
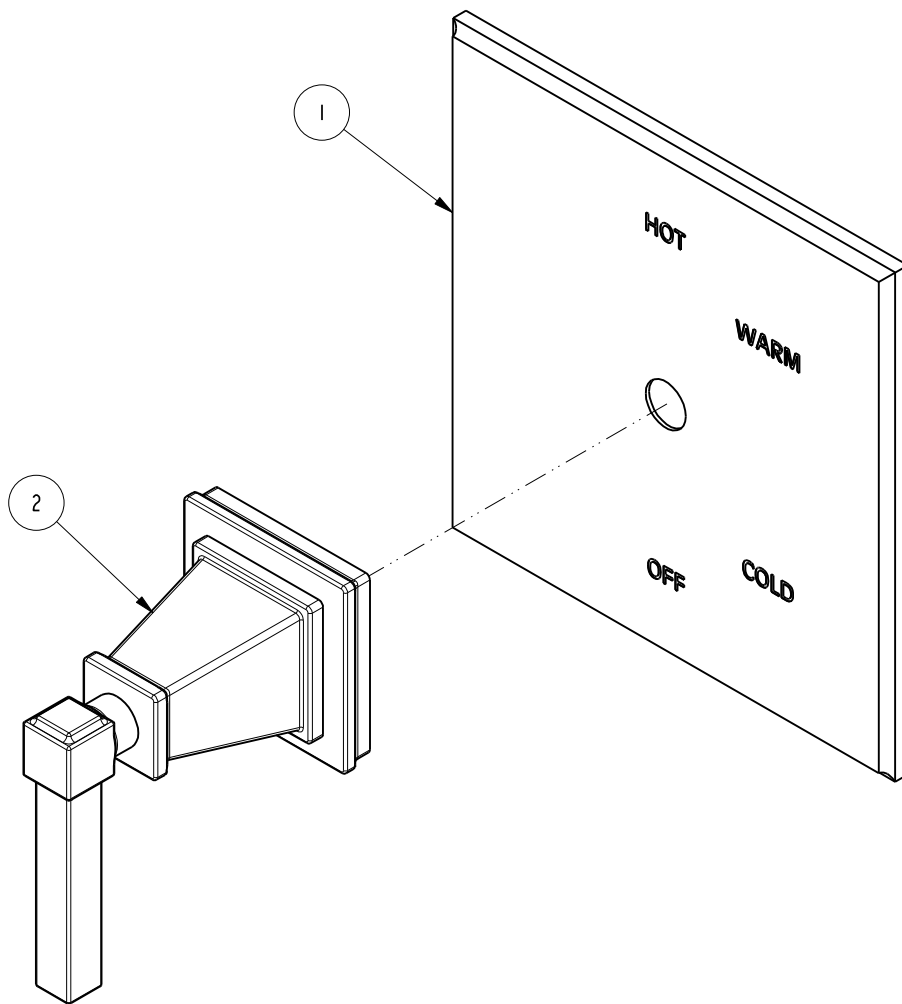
ITEM	PT/ASSY	DESCRIPTION	TYPE	QTY.
1	2-293	COVERPLATE BP	ASSEMBLY	1
2	3-580	LEVER HANDLE W/ESC.	ASSEMBLY	1

D

C

B

A



D

C

B

A

UNITS ARE: INCHES [MM]
 TOLERANCES ARE:
 FRACTIONS DECIMALS ANGLES
 $\pm 1/16"$.X $\pm .1$ [2.5] $\pm 1^\circ$
 .XX $\pm .06$ [1.5]

(X.XXX) DENOTES CRITICAL DIMS.
 ALL THREADS ARE CRITICAL

DRAWN JINSON 08/11/16
 CHECKED RAVINDRA 08/11/16
 APPROVED J.M 08/11/16

BRASSTECH 2001 CARNEGIE AVE.
 INCORPORATED SANTA ANA, CA 92705
 (949) 417-5207

BP SHOWER TRIM

DWG NO. 4-3144BP REV -

SCALE .500 REF. - SHEET 1 OF 3

COPYRIGHT 2005 BRASSTECH, INC.
 THESE DRAWINGS AND THE DESIGNS
 DEPICTED HEREIN ARE THE PROPRIETARY
 PROPERTY OF BRASSTECH. ANY USE
 OR REPRODUCTION IS SUBJECT TO
 THE EXPRESS APPROVAL OF BRASSTECH.
 UNAUTHORIZED USE IS STRICTLY
 PROHIBITED. ALL RIGHTS RESERVED.

ZONE	REV	DESCRIPTION	DATE	APPROVED
-	-	EN-3061	08/11/16	J.M

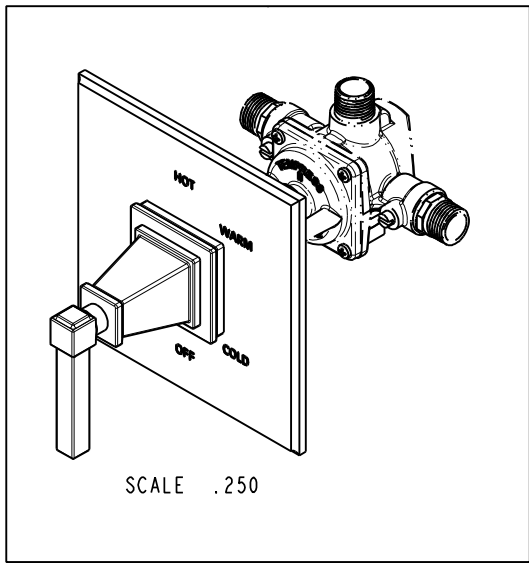
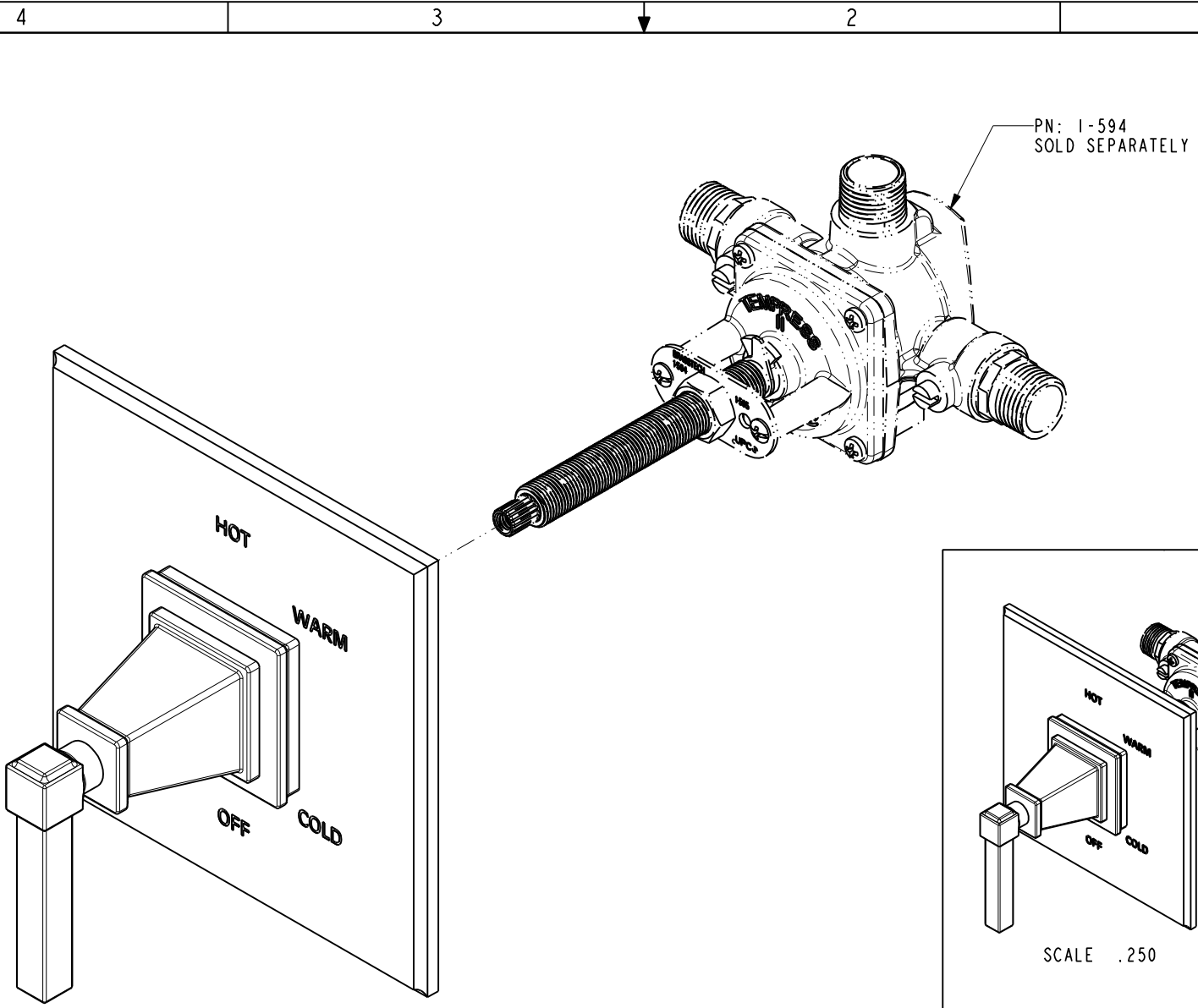
TESTING	ASSEMBLY	PLATING	POLISHING	MACHINING	TOOLING FIXTURE #	APPLICATION
-	-	-	-	-	-	REMOVE ALL BURRS AND SHARP EDGES

4

3

2

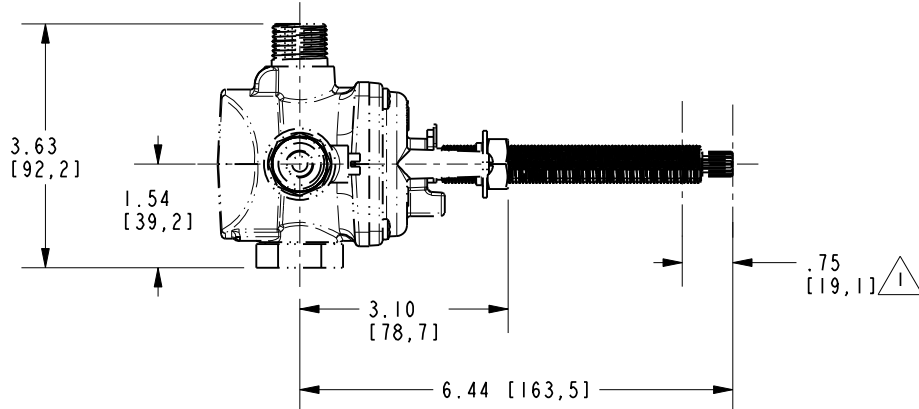
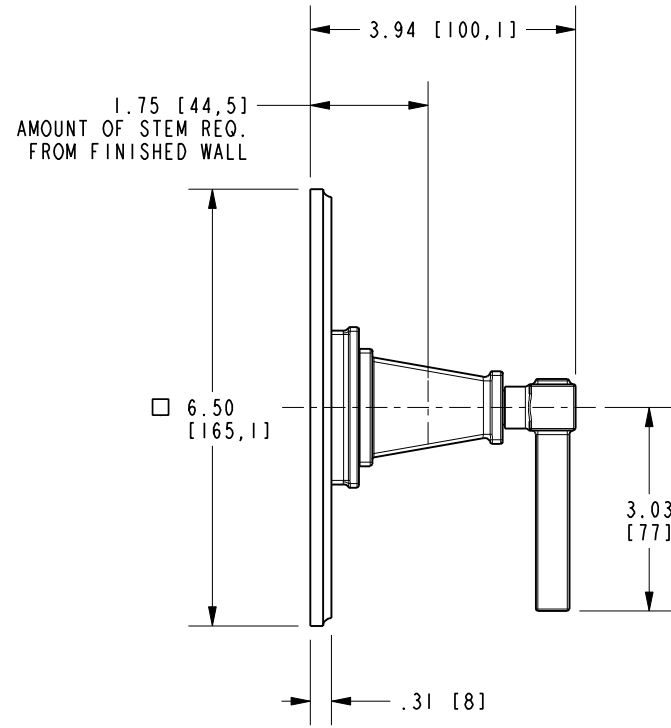
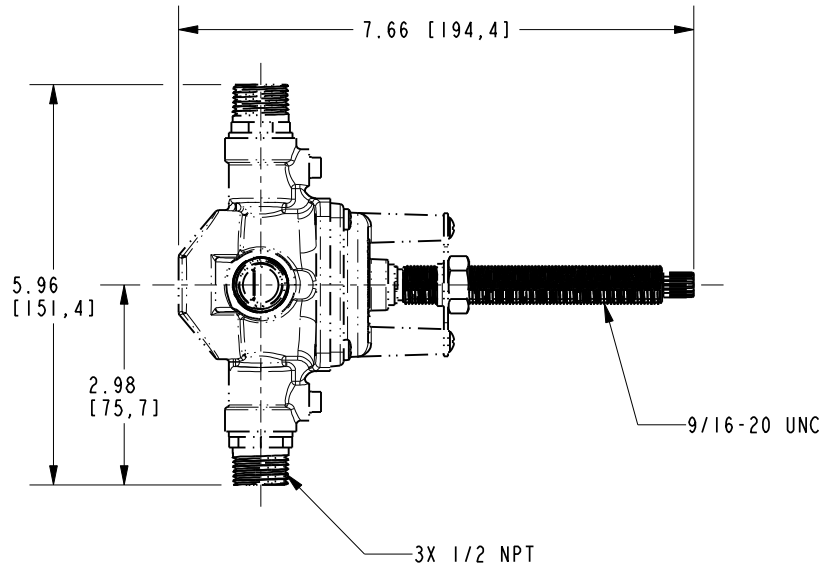
1



BRASSTECH		2001 E. CARNEGIE AVE.	
INCORPORATED		SANTA ANA, CA 92705	
DWG NO. 4-3144BP		REV -	
SCALE .500	REF. -	SHEET 2 OF 3	

NOTES:

1. CUT ALL-THREAD .75" SHORTER THAN STEM.



BRASSTECH		2001 E. CARNEGIE AVE.	
INCORPORATED		SANTA ANA, CA 92705	
DWG NO. 4-3144BP		REV -	
SCALE .350	REF. -	SHEET 3 OF 3	