

4

3

2

1

D

C

B

A

D

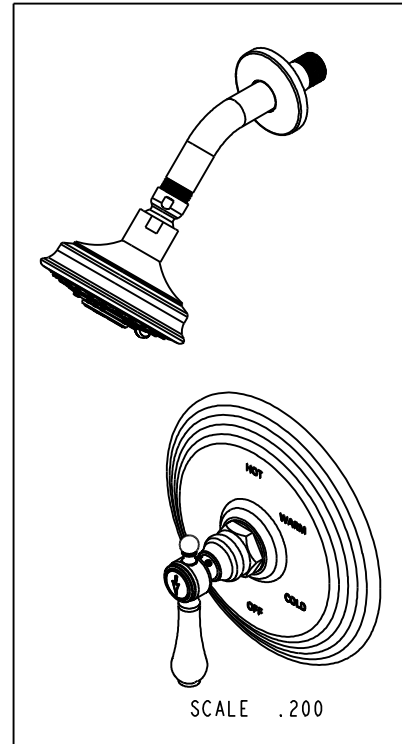
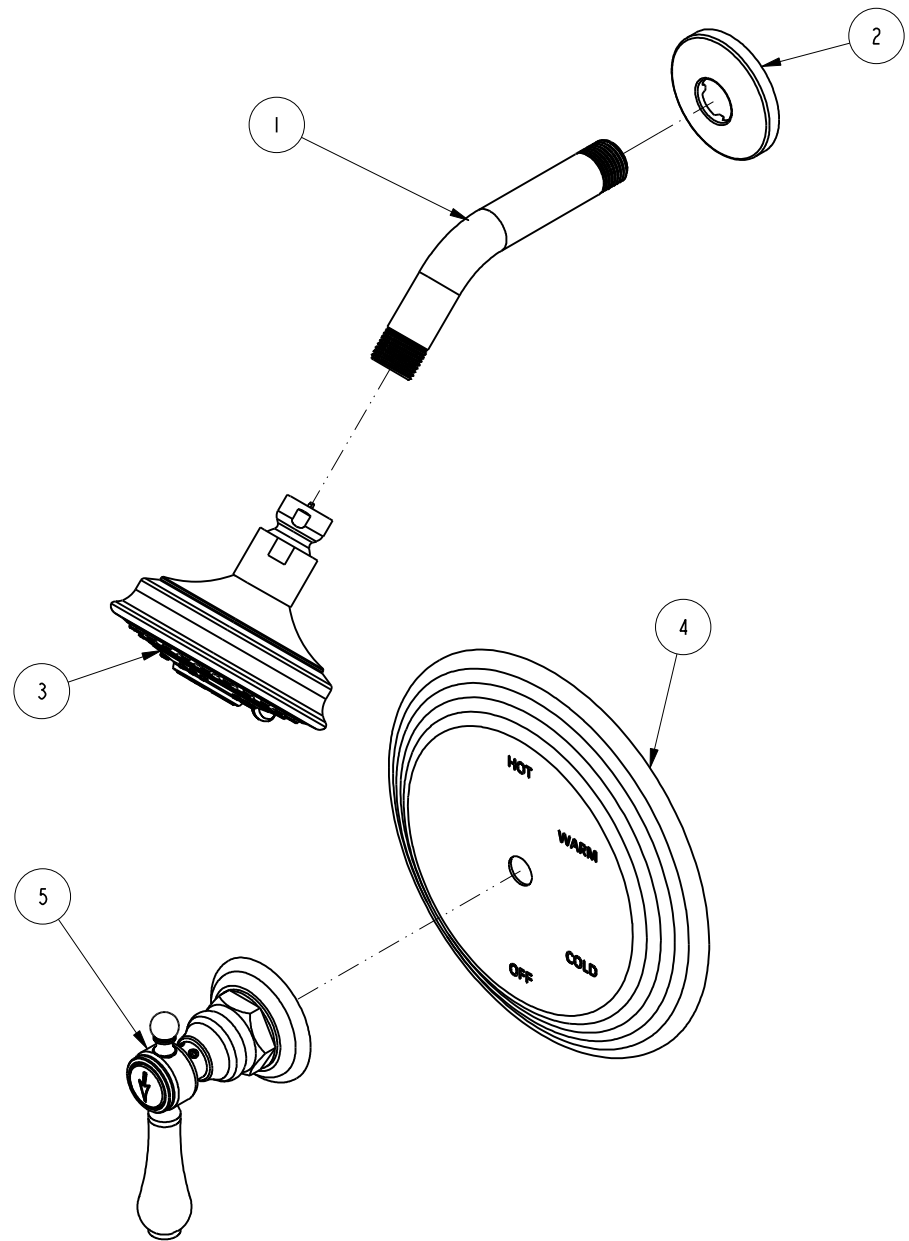
C

B

A

BILL OF MATERIAL (CURRENT LEVEL)

ITEM	PT/ASSY	DESCRIPTION	TYPE	QTY.
1	200	SHOWER ARM 6" BRASS	PART	1
2	206	SHOWER ARM FLANGE	PART	1
3	2156	SHOWER HEAD, TRAD	ASSEMBLY	1
4	2-225	BP COVER PLATE FOR SHOWER	ASSEMBLY	1
5	3-241	TRIM KIT - HANDLE ESCUTCHEON	ASSEMBLY	1



COPYRIGHT 2005 BRASSTECH, INC. THESE DRAWINGS AND THE DESIGNS DEPICTED HEREIN ARE THE PROPRIETARY PROPERTY OF BRASSTECH. ANY USE OR REPRODUCTION IS SUBJECT TO THE EXPRESS APPROVAL OF BRASSTECH. UNAUTHORIZED USE IS STRICTLY PROHIBITED. ALL RIGHTS RESERVED.

BRASSTECH
INCORPORATED
2001 E. CARNEGIE AVE.
SANTA ANA, CA 92705
(949) 417-5207

TRIM KIT-BP SHOWER SET

ASSY. NO.		3-1034BP	
SCALE .300	REF. -	SHEET 1 OF 3	REV
			REV DESC
			DATE

C	EN-2802	09/08/14
B	EN-1745	08/22/11
A	EN-1183	03/23/09
-	RELEASED	06/03/03

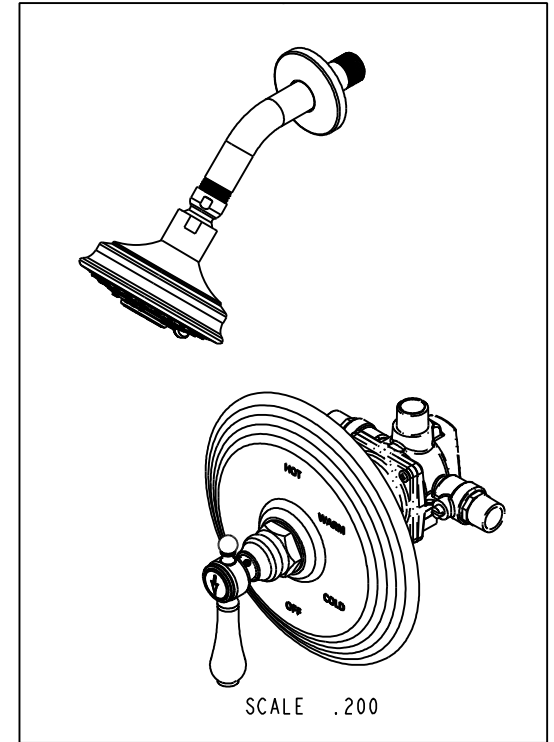
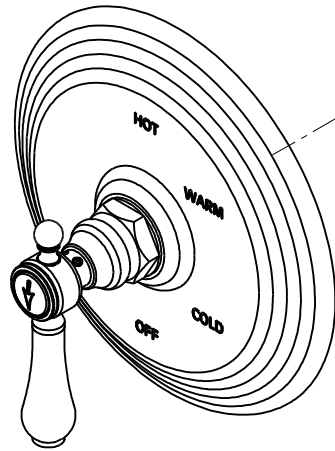
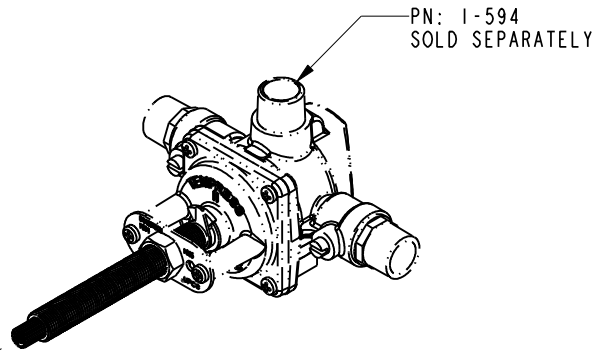
4

3

2

1

SPECIFICATION DWG



SCALE .200

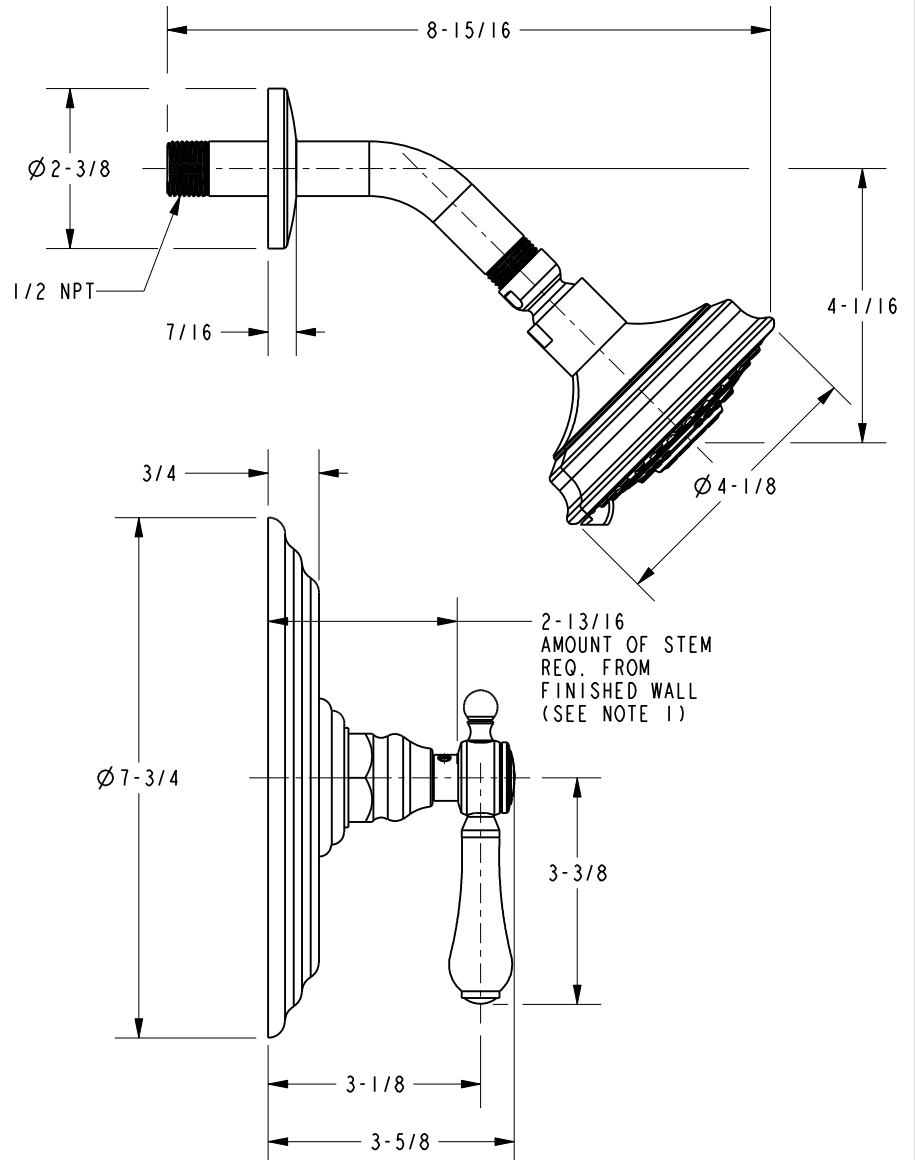
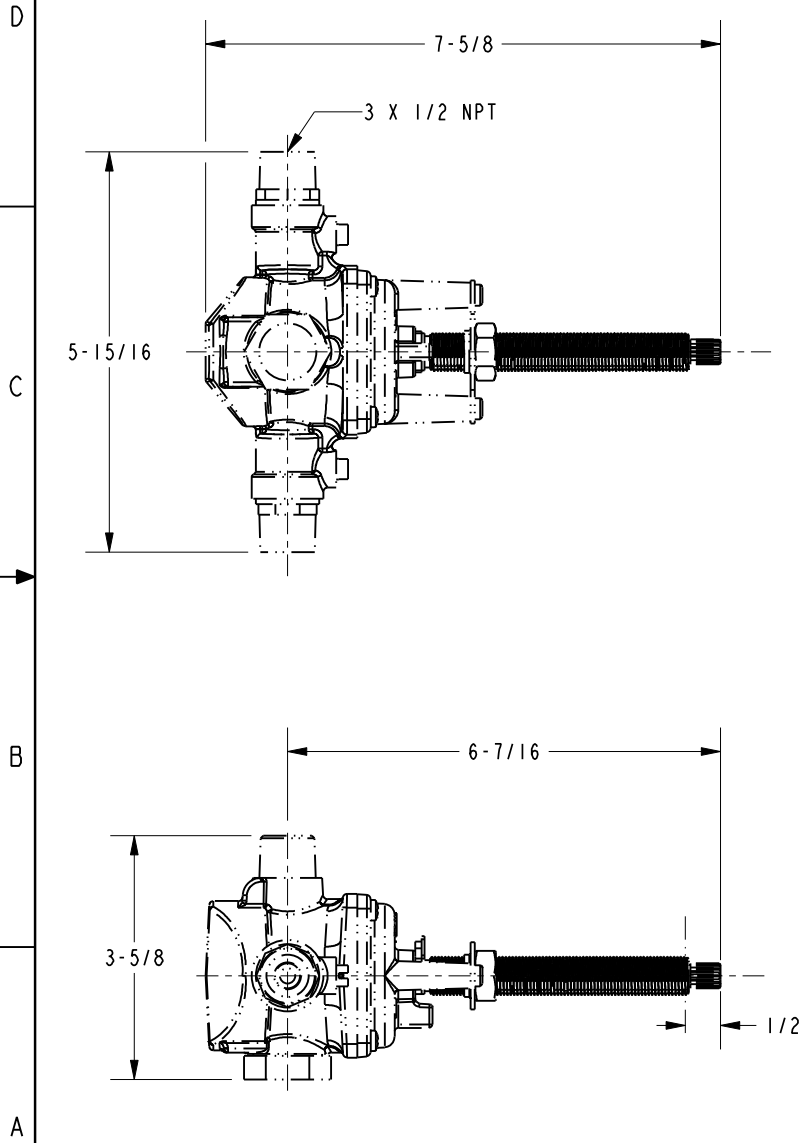
DIMENSIONS ARE IN INCHES AND AN APPROXIMATION OF A TYPICAL INSTALLATION

COPYRIGHT 2005 BRASSTECH, INC. THESE DRAWINGS AND THE DESIGNS DEPICTED HEREIN ARE THE PROPRIETARY PROPERTY OF BRASSTECH. ANY USE OR REPRODUCTION IS SUBJECT TO THE EXPRESS APPROVAL OF BRASSTECH. UNAUTHORIZED USE IS STRICTLY PROHIBITED. ALL RIGHTS RESERVED.

BRASSTECH		2001 CARNEGIE AVE. SANTA ANA, CA 92705 (949) 417-5207	
INCORPORATED			
DWG NO.	3-1034BP		REV C
SCALE .300	REF. -	SHEET 2 OF 3	

SPECIFICATION DWG

I. CUT STEM TO DIMENSION "A"
 CUT ALL-THREAD 1/2"
 SHORTER THAN STEM



DIMENSIONS ARE IN INCHES AND AN APPROXIMATION OF A TYPICAL INSTALLATION

COPYRIGHT 2005 BRASSTECH, INC. THESE DRAWINGS AND THE DESIGNS DEPICTED HEREIN ARE THE PROPRIETARY PROPERTY OF BRASSTECH. ANY USE OR REPRODUCTION IS SUBJECT TO THE EXPRESS APPROVAL OF BRASSTECH. UNAUTHORIZED USE IS STRICTLY PROHIBITED. ALL RIGHTS RESERVED.

BRASSTECH		2001 CARNEGIE AVE. SANTA ANA, CA 92705 (949) 417-5207	
INCORPORATED			
DWG NO.	3-1034BP		REV C
SCALE .350	REF. -	SHEET 3 OF 3	