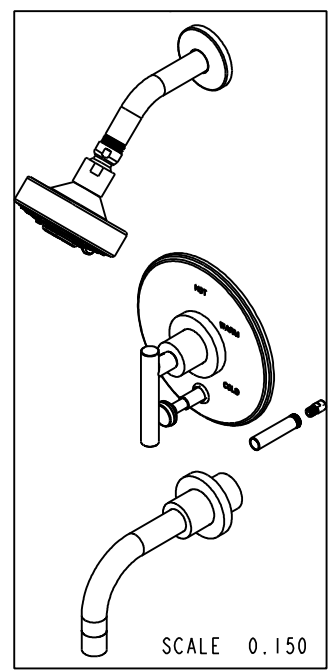


BILL OF MATERIAL (CURRENT LEVEL)

ITEM	PT/ASSY	DESCRIPTION	TYPE	QTY.
1	3-234	WALL TUB SPOUT ASM	ASSEMBLY	1
2	2-438	COVERPLATE BP W/DIV ASM	ASSEMBLY	1
3	206	SHOWER ARM FLANGE	PART	1
4	200	SHOWER ARM 6" BRASS	PART	1
5	2155	SHOWER HEAD, CONTEMP	ASSEMBLY	1
6	3-227LH	HANDLE TRIM ASM - HOT	ASSEMBLY	1
7	2-217	DIVERTER TRIM KIT	ASSEMBLY	1
8	2-894	DIVERTER TRIM KIT (SHORT)	ASSEMBLY	1



COPYRIGHT 2005 BRASSTECH, INC. THESE DRAWINGS AND THE DESIGNS DEPICTED HEREIN ARE THE PROPRIETARY PROPERTY OF BRASSTECH. ANY USE OR REPRODUCTION IS SUBJECT TO THE EXPRESS APPROVAL OF BRASSTECH. UNAUTHORIZED USE IS STRICTLY PROHIBITED. ALL RIGHTS RESERVED.

BRASSTECH
INCORPORATED
2001 E. CARNEGIE AVE.
SANTA ANA, CA 92705
(949) 417-5207

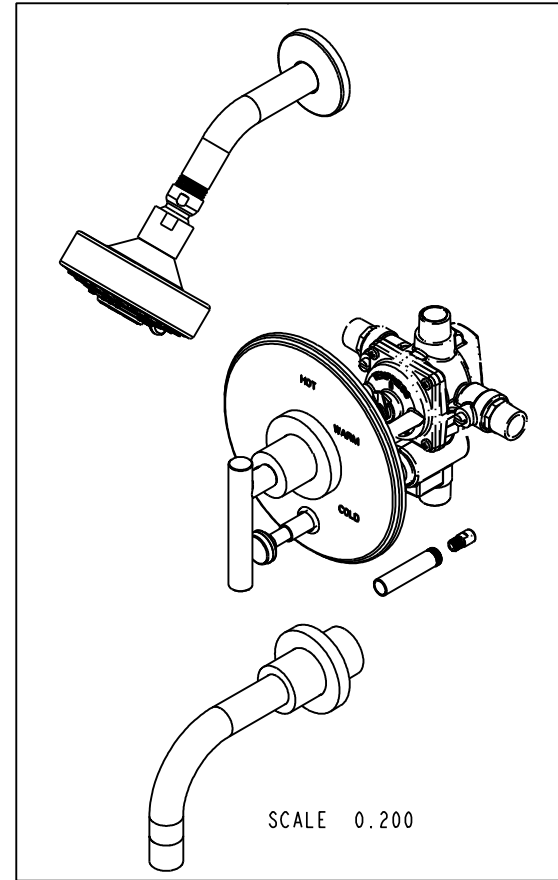
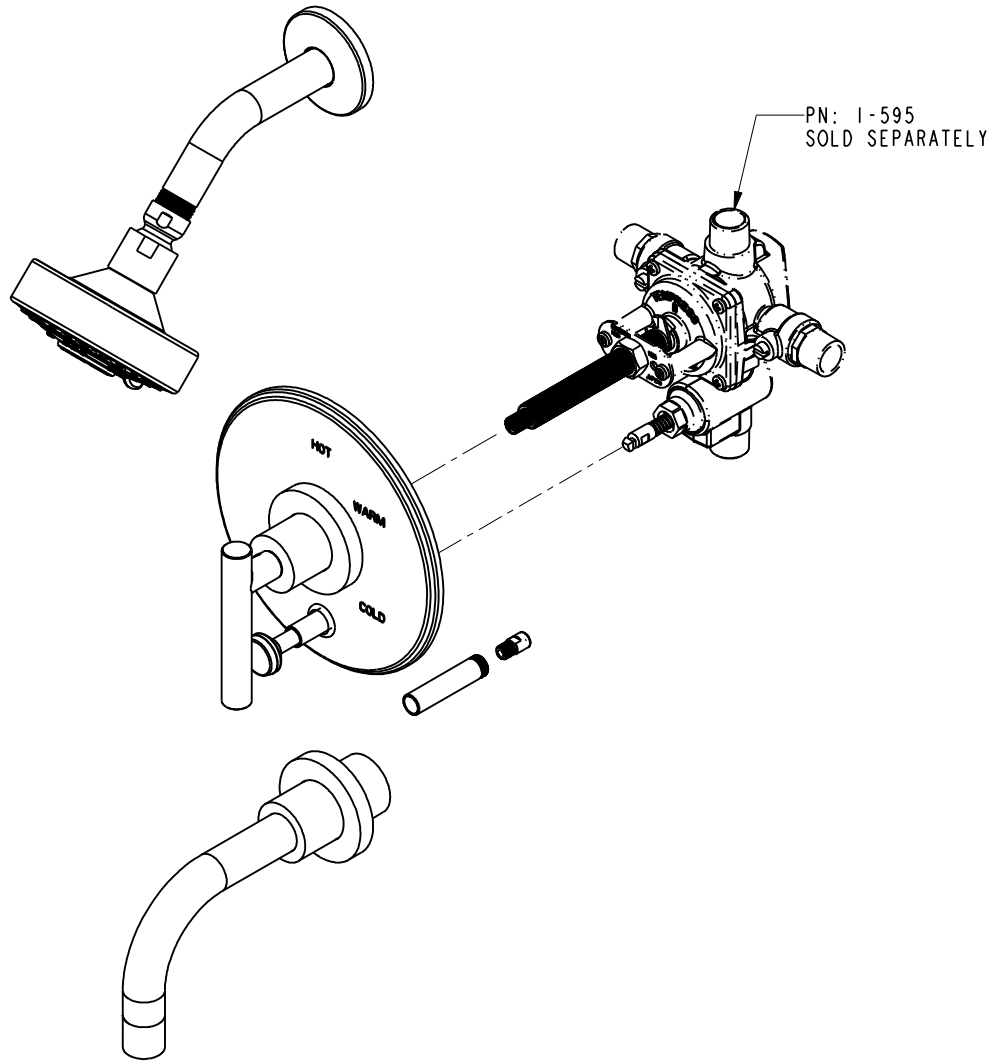
TRIM KIT 3-992LBP

ASSY. NO.		3-992LBP	
SCALE 0.300	REF. ***	SHEET 1 OF 3	REV
			REV DESC
			DATE

G	EN-2802	09/08/14
F	EN-2452	02/07/13
E	EN-1745	08/22/11
C	EN-1544	04/28/10
B	EO-0872	09/05/07
A	-	-
-	RELEASED	-

4 3 2 1

SPECIFICATION DWG



DIMENSIONS ARE IN INCHES AND AN APPROXIMATION OF A TYPICAL INSTALLATION

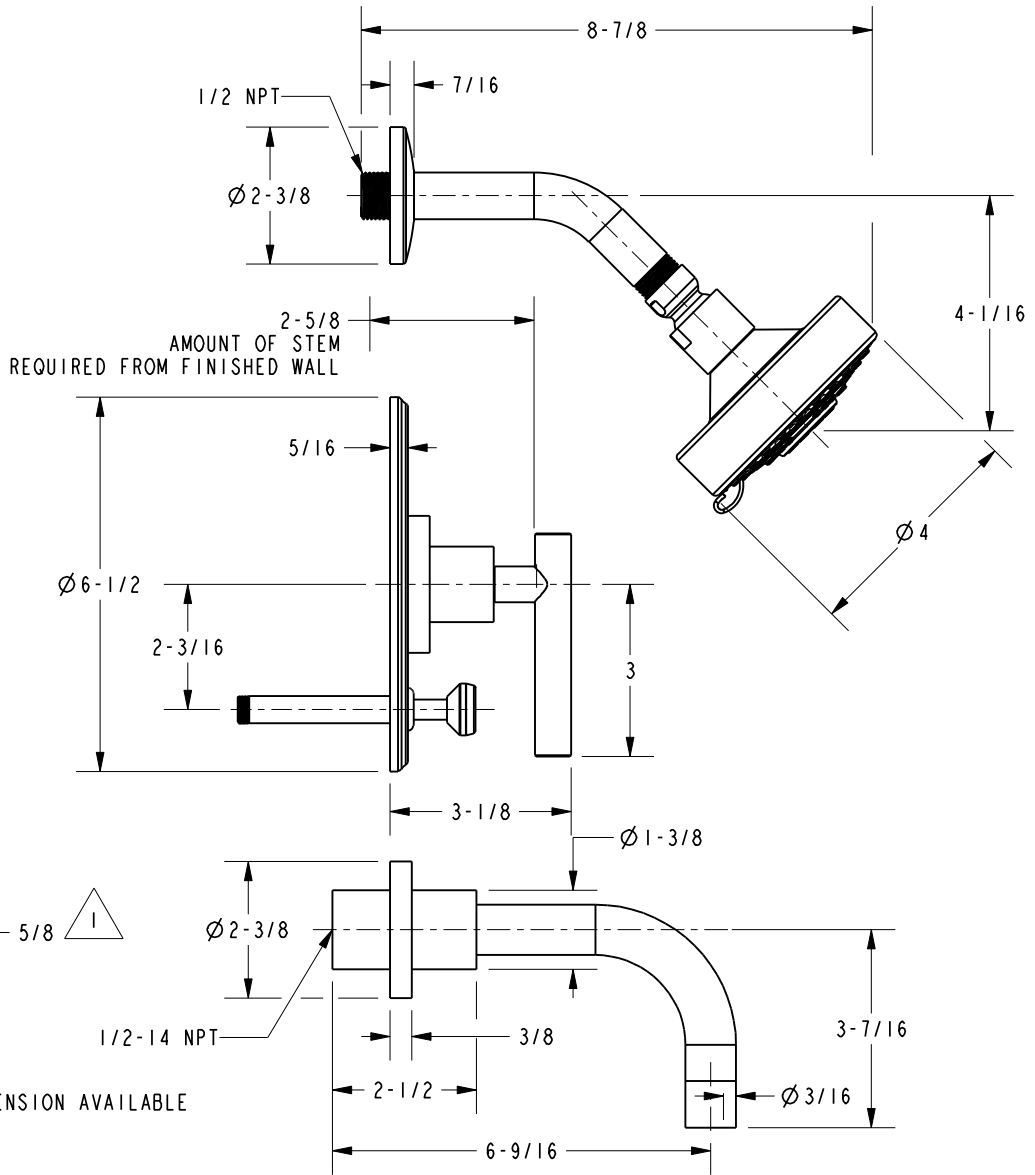
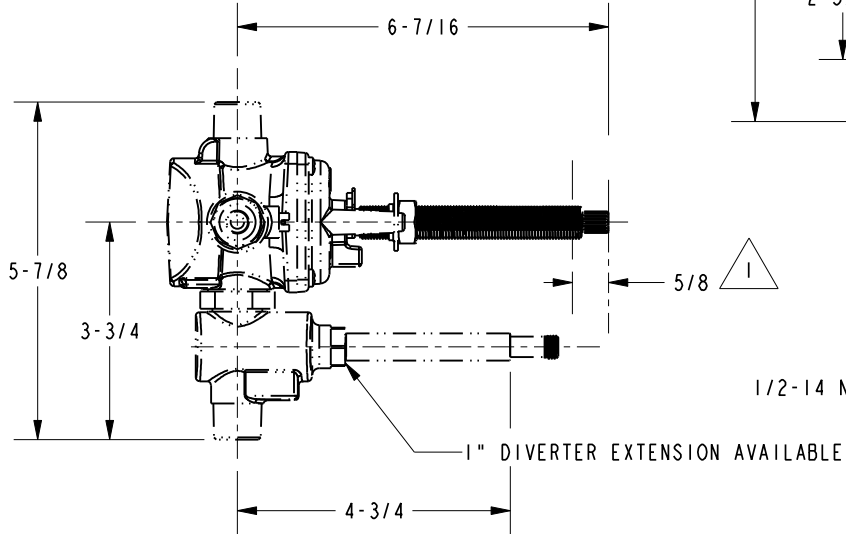
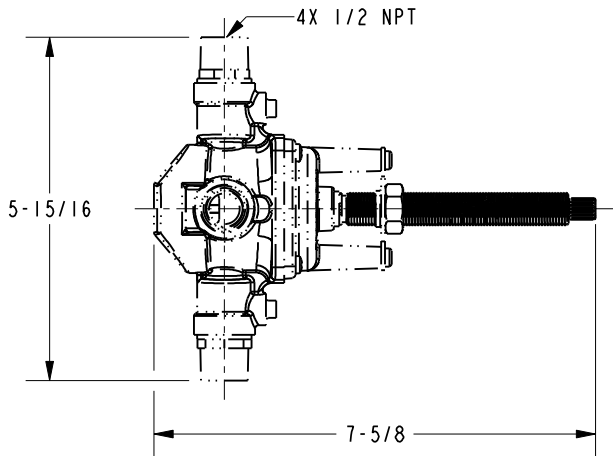
COPYRIGHT 2005 BRASSTECH, INC. THESE DRAWINGS AND THE DESIGNS DEPICTED HEREIN ARE THE PROPRIETARY PROPERTY OF BRASSTECH. ANY USE OR REPRODUCTION IS SUBJECT TO THE EXPRESS APPROVAL OF BRASSTECH. UNAUTHORIZED USE IS STRICTLY PROHIBITED. ALL RIGHTS RESERVED.

BRASSTECH		2001 CARNEGIE AVE. SANTA ANA, CA 92705 (949) 417-5207	
DWG NO.	3-992LBP		REV G
SCALE 1.000	REF. ***	SHEET 2 OF 3	

SPECIFICATION DWG

NOTES:

1. CUT ALL-THREAD 5/8" SHORTER THAN STEM.



DIMENSIONS ARE IN INCHES AND AN APPROXIMATION OF A TYPICAL INSTALLATION

COPYRIGHT 2005 BRASSTECH, INC. THESE DRAWINGS AND THE DESIGNS DEPICTED HEREIN ARE THE PROPRIETARY PROPERTY OF BRASSTECH. ANY USE OR REPRODUCTION IS SUBJECT TO THE EXPRESS APPROVAL OF BRASSTECH. UNAUTHORIZED USE IS STRICTLY PROHIBITED. ALL RIGHTS RESERVED.

BRASSTECH		2001 CARNEGIE AVE. SANTA ANA, CA 92705 (949) 417-5207	
DWG NO.	3-992LBP		REV G
SCALE 1.000	REF. ***	SHEET 3	OF 3