

4

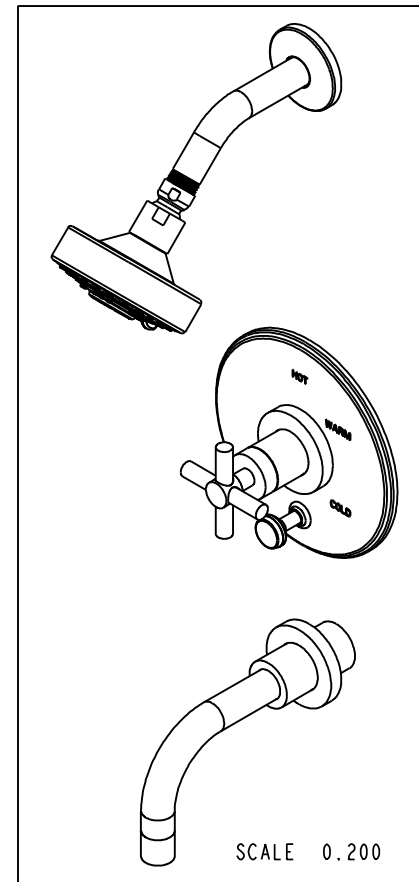
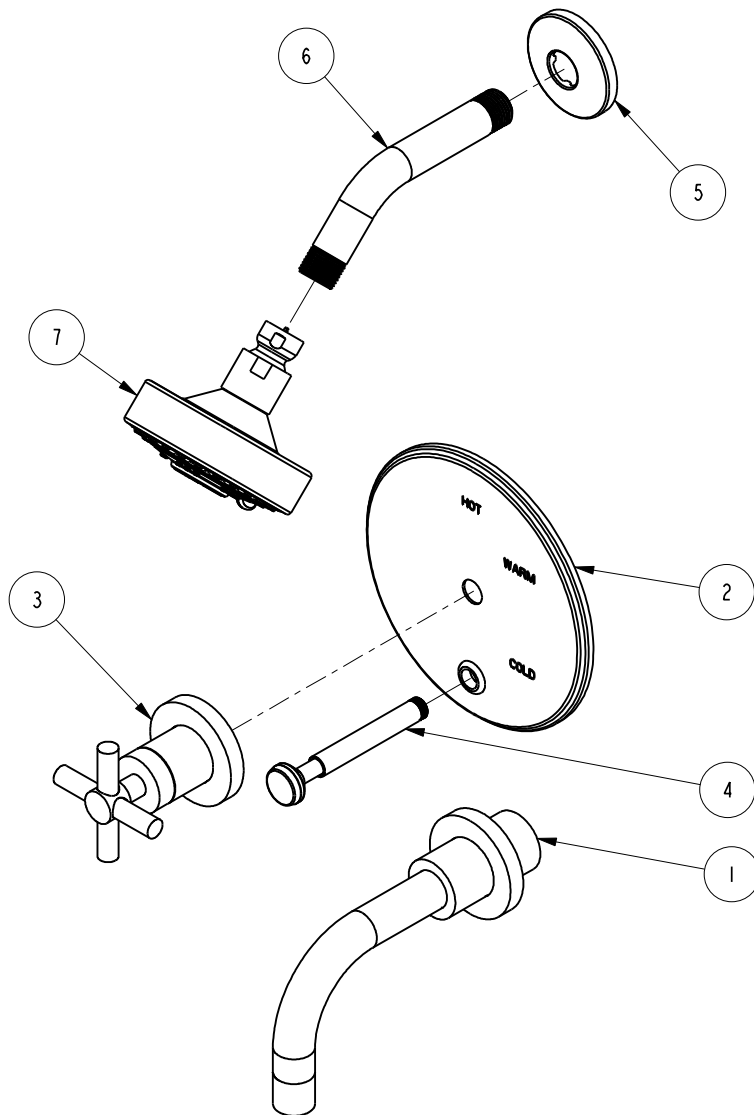
3

2

1

BILL OF MATERIAL (CURRENT LEVEL)

ITEM	PT/ASSY	DESCRIPTION	TYPE	QTY.
1	3-234	WALL TUB SPOUT ASM	ASSEMBLY	1
2	2-438	COVERPLATE BP W/DIV ASM	ASSEMBLY	1
3	3-227	HANDLE TRIM - STOP VALVE	ASSEMBLY	1
4	2-217	DIVERTER TRIM KIT	ASSEMBLY	1
5	206	SHOWER ARM FLANGE	PART	1
6	200	SHOWER ARM 6" BRASS	PART	1
7	2155	SHOWER HEAD, CONTEMP	ASSEMBLY	1



F	EN-2802	09/05/14
D	EN-1745	08/22/11
C	EN-1544	04/28/10
B	EO-0872	09/05/07
A	-	-
-	RELEASED	-
REV	REV DESC	DATE

COPYRIGHT 2005 BRASSTECH, INC. THESE DRAWINGS AND THE DESIGNS DEPICTED HEREIN ARE THE PROPRIETARY PROPERTY OF BRASSTECH. ANY USE OR REPRODUCTION IS SUBJECT TO THE EXPRESS APPROVAL OF BRASSTECH. UNAUTHORIZED USE IS STRICTLY PROHIBITED. ALL RIGHTS RESERVED.

BRASSTECH
INCORPORATED

2001 E. CARNEGIE AVE.
SANTA ANA, CA 92705
(949) 417-5207

TRIM KIT 3-992BP

ASSY. NO. **3-992BP**

SCALE 0.250

REF. -

SHEET 1 OF 3

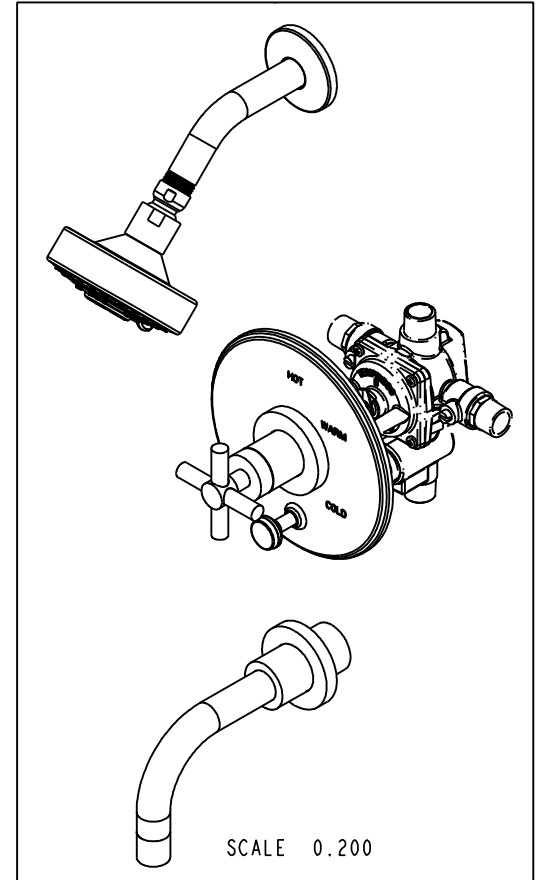
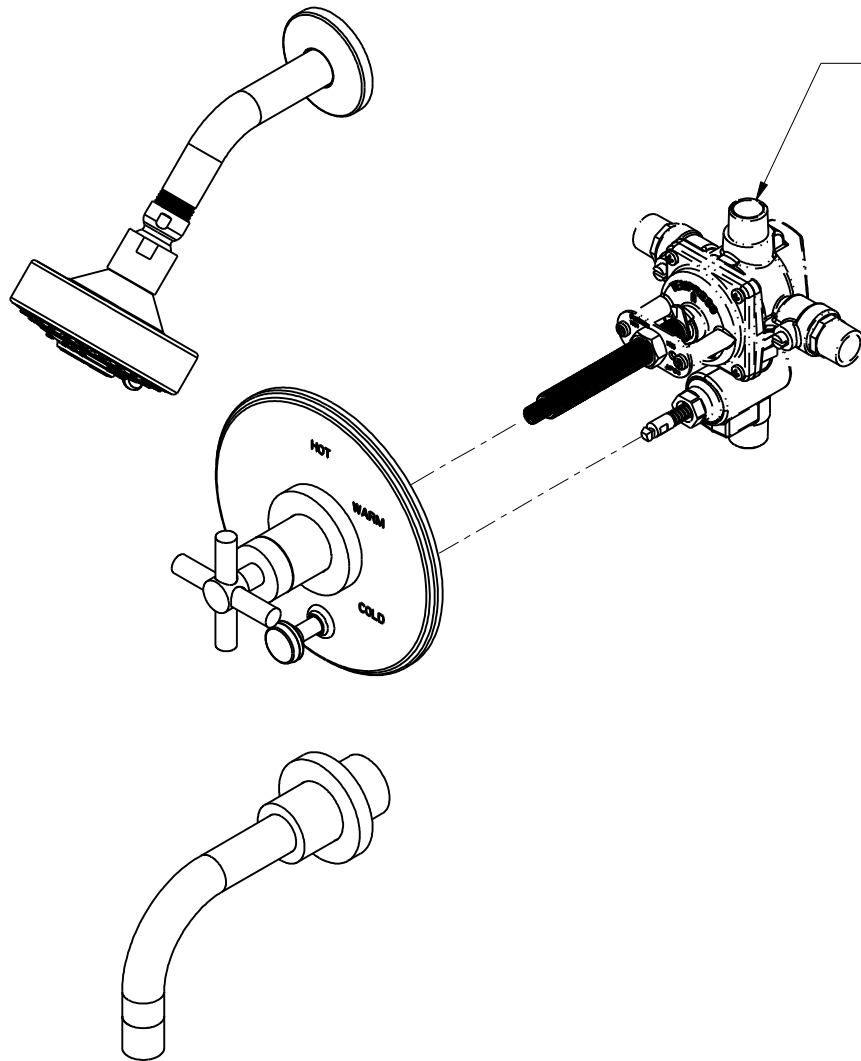
4

3

2

1

SPECIFICATION DWG



DIMENSIONS ARE IN INCHES AND AN APPROXIMATION OF A TYPICAL INSTALLATION

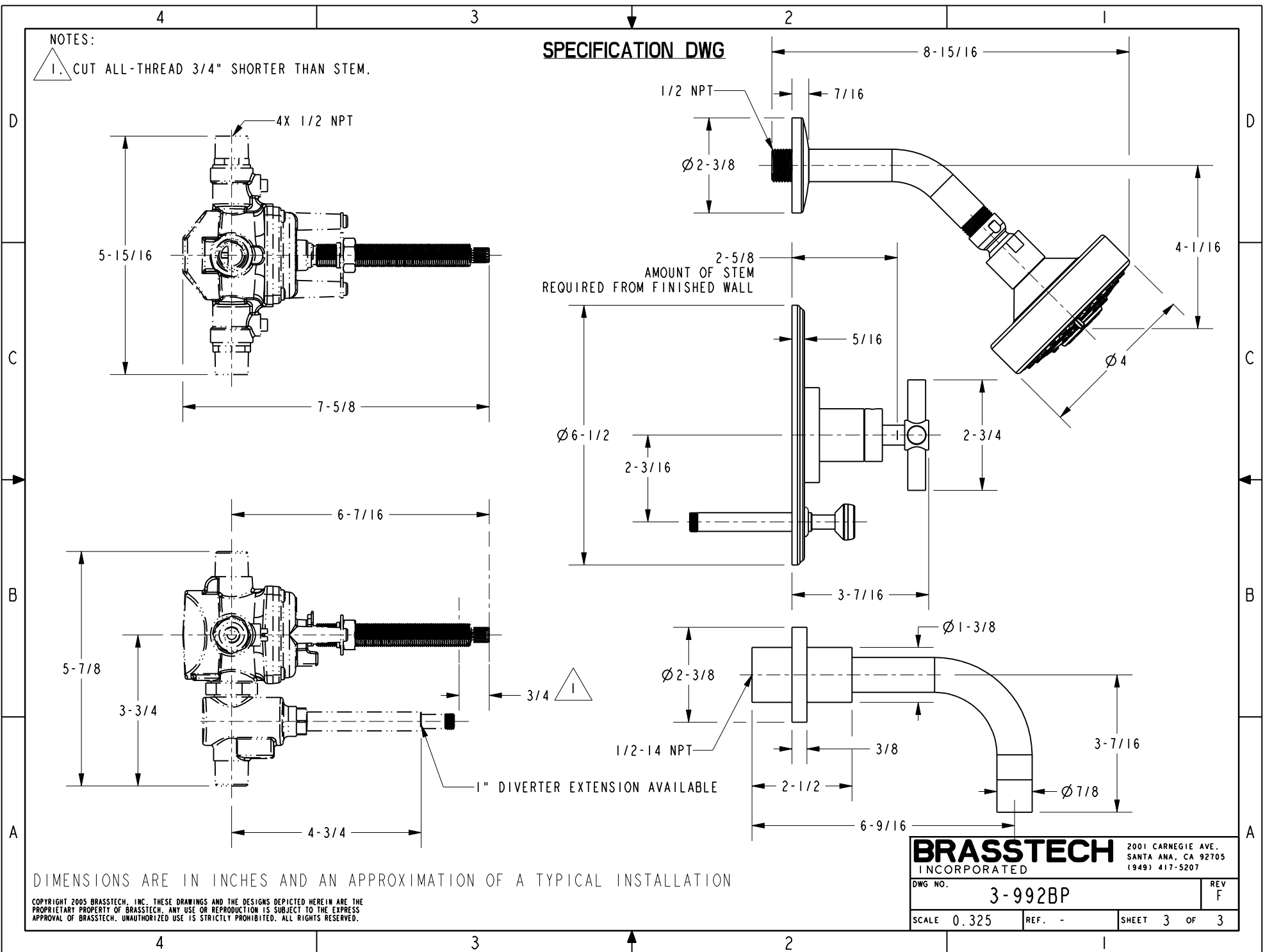
COPYRIGHT 2005 BRASSTECH, INC. THESE DRAWINGS AND THE DESIGNS DEPICTED HEREIN ARE THE PROPRIETARY PROPERTY OF BRASSTECH. ANY USE OR REPRODUCTION IS SUBJECT TO THE EXPRESS APPROVAL OF BRASSTECH. UNAUTHORIZED USE IS STRICTLY PROHIBITED. ALL RIGHTS RESERVED.

BRASSTECH		2001 CARNEGIE AVE. SANTA ANA, CA 92705 (949) 417-5207	
DWG NO.	3-992BP	REV	F
SCALE 0.250	REF. -	SHEET 2	OF 3

NOTES:

1. CUT ALL-THREAD 3/4" SHORTER THAN STEM.

SPECIFICATION DWG



DIMENSIONS ARE IN INCHES AND AN APPROXIMATION OF A TYPICAL INSTALLATION

COPYRIGHT 2005 BRASSTECH, INC. THESE DRAWINGS AND THE DESIGNS DEPICTED HEREIN ARE THE PROPRIETARY PROPERTY OF BRASSTECH. ANY USE OR REPRODUCTION IS SUBJECT TO THE EXPRESS APPROVAL OF BRASSTECH. UNAUTHORIZED USE IS STRICTLY PROHIBITED. ALL RIGHTS RESERVED.

BRASSTECH		2001 CARNEGIE AVE. SANTA ANA, CA 92705 (949) 417-5207	
DWG NO.	3-992BP		REV F
SCALE 0.325	REF. -	SHEET 3 OF 3	