

4

3

2

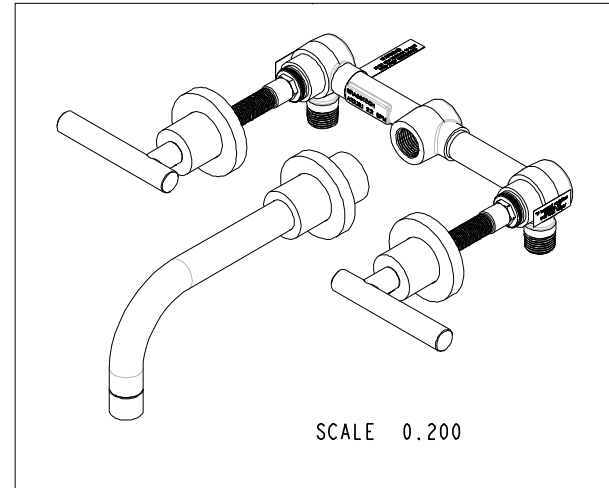
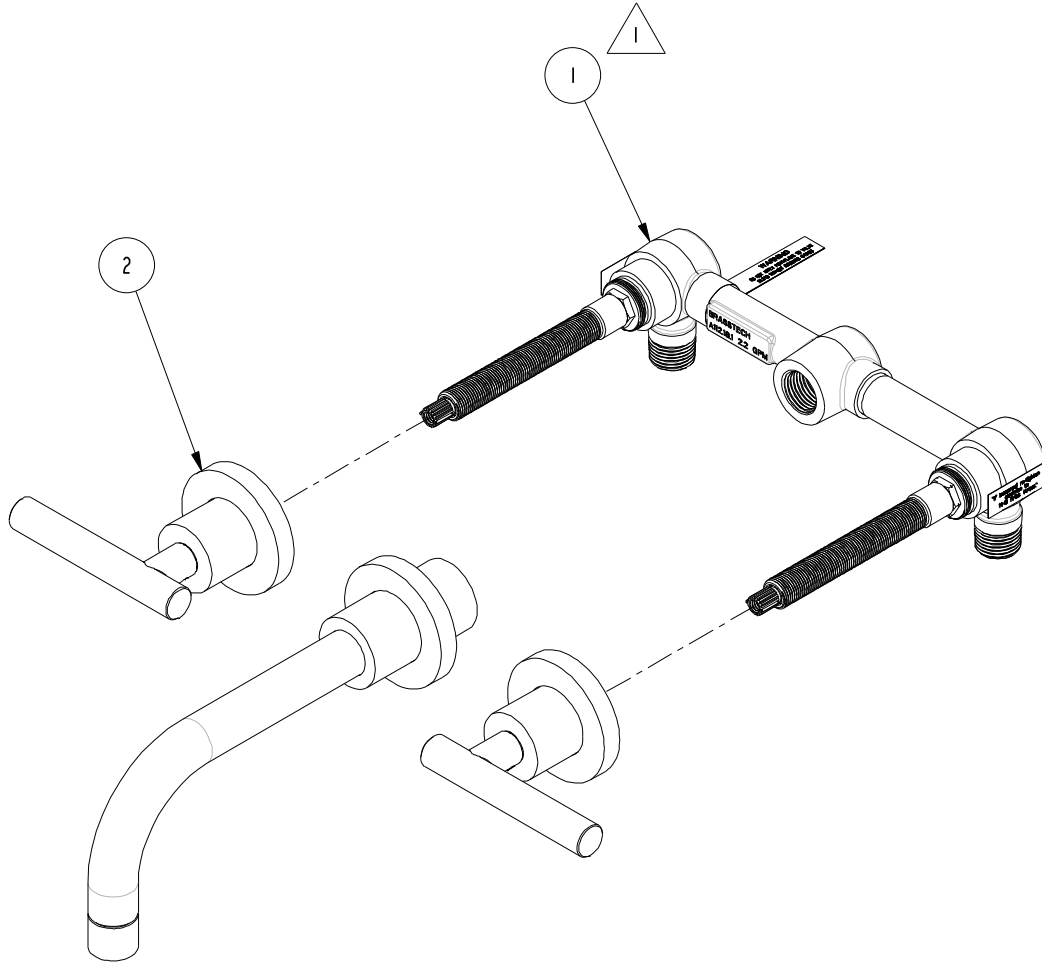
1

BILL OF MATERIAL (CURRENT LEVEL)

ITEM	PT/ASSY	DESCRIPTION	TYPE	QTY.
1	1-532C	WALL LAVATORY KIT 1/2" NPT	ASSEMBLY	1
2	3-991L	TRIM KIT - LAV WALL	ASSEMBLY	1

NOTES:

1 RECOMMENDED VALVE(S), SHOWN WITH TRIM KIT, SOLD SEPERATELY.



COPYRIGHT 2005 BRASSTECH, INC. THESE DRAWINGS AND THE DESIGNS DEPICTED HEREIN ARE THE PROPRIETARY PROPERTY OF BRASSTECH. ANY USE OR REPRODUCTION IS SUBJECT TO THE EXPRESS APPROVAL OF BRASSTECH. UNAUTHORIZED USE IS STRICTLY PROHIBITED. ALL RIGHTS RESERVED.

BRASSTECH
INCORPORATED

2001 E. CARNEGIE AVE.
SANTA ANA, CA 92705
(949) 417-5207

LAVATORY WALL FAUCET

ASSY. NO.

991L

SCALE 0.300

REF. -

SHEET 1 OF 3

C	EN-1176	10/23/09
B	EO-0632	01/16/06
A	EO-0264	09/18/03
-	RELEASED	10/12/99
REV	REV DESC	DATE

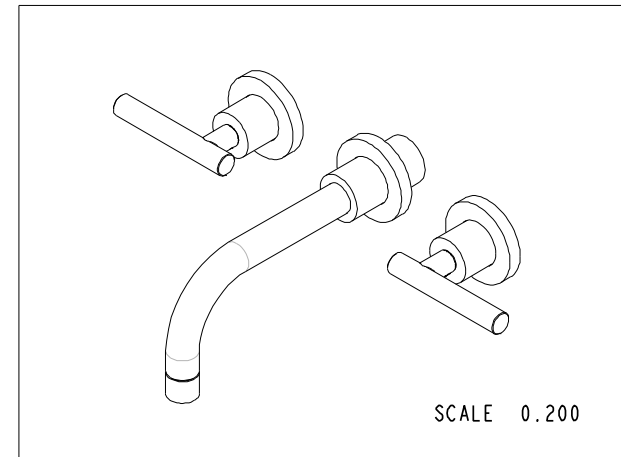
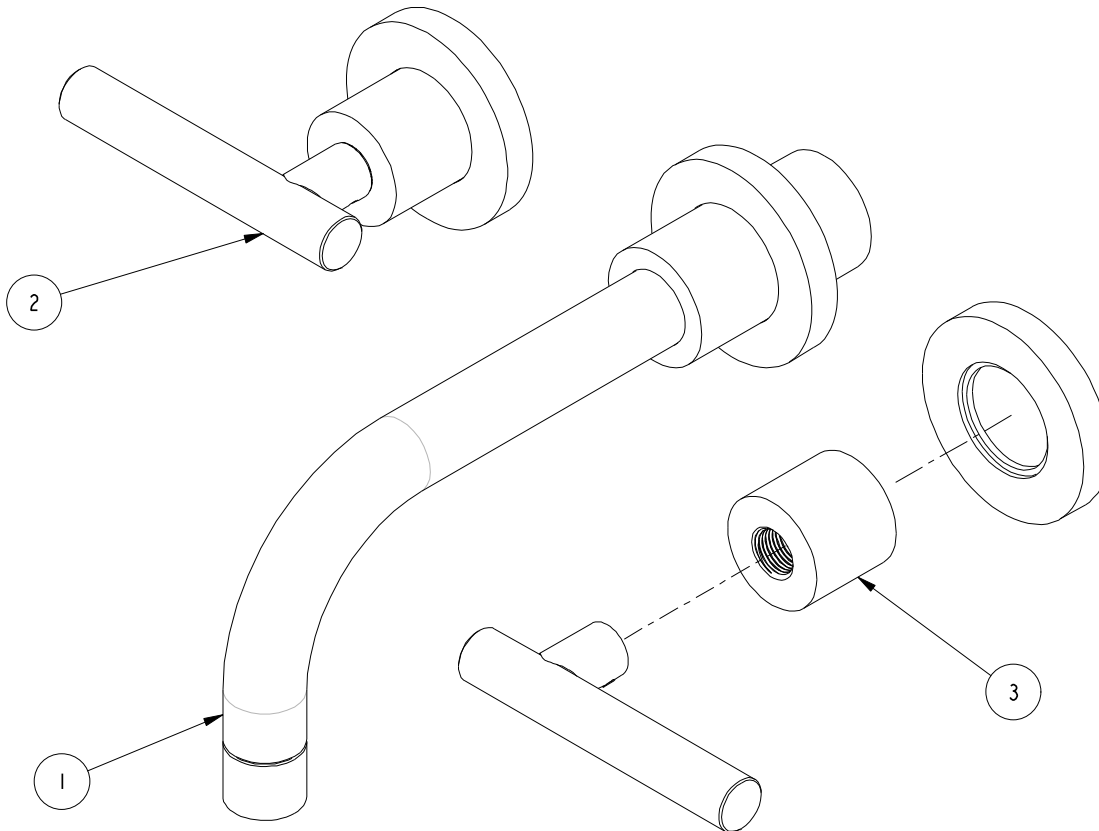
4

3

2

1

BILL OF MATERIAL (CURRENT LEVEL)				
ITEM	PT/ASSY	DESCRIPTION	TYPE	QTY.
1	3-229	WALL SPOUT ASM - RES	ASSEMBLY	1
2	3-227LC	HANDLE TRIM ASM - COLD	ASSEMBLY	1
3	3-227LH	HANDLE TRIM ASM - HOT	ASSEMBLY	1



COPYRIGHT 2005 BRASSTECH, INC. THESE DRAWINGS AND THE DESIGNS DEPICTED HEREIN ARE THE PROPRIETARY PROPERTY OF BRASSTECH. ANY USE OR REPRODUCTION IS SUBJECT TO THE EXPRESS APPROVAL OF BRASSTECH. UNAUTHORIZED USE IS STRICTLY PROHIBITED. ALL RIGHTS RESERVED.

BRASSTECH
INCORPORATED
2001 E. CARNEGIE AVE.
SANTA ANA, CA 92705
(949) 417-5207

TRIM KIT - LAV WALL

ASSY. NO. 991L

SCALE 0.500

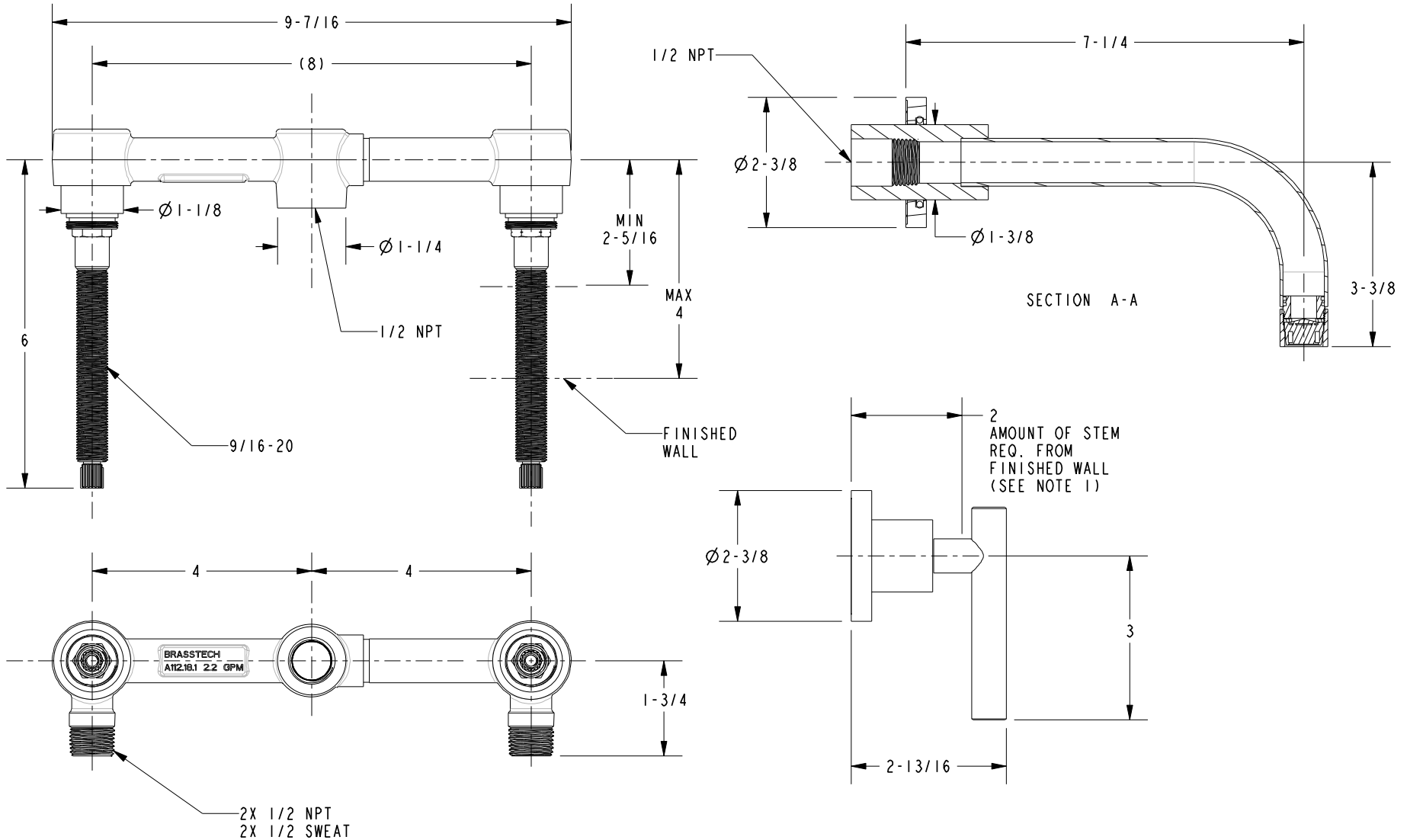
REF. -

SHEET 2 OF 3

C	EN-1176	10/23/09
B	EO-0632	01/16/06
A	EO-0264	09/18/03
-	RELEASED	10/12/99
REV	REV DESC	DATE

SPECIFICATION DWG

1. CUT ALL-THREAD 1/2" SHORTER THAN STEM



DIMENSIONS ARE IN INCHES AND AN APPROXIMATION OF A TYPICAL INSTALLATION

COPYRIGHT 2005 BRASSTECH, INC. THESE DRAWINGS AND THE DESIGNS DEPICTED HEREIN ARE THE PROPRIETARY PROPERTY OF BRASSTECH. ANY USE OR REPRODUCTION IS SUBJECT TO THE EXPRESS APPROVAL OF BRASSTECH. UNAUTHORIZED USE IS STRICTLY PROHIBITED. ALL RIGHTS RESERVED.

BRASSTECH		2001 E. CARNEGIE AVE.
INCORPORATED		SANTA ANA, CA 92705
		(949) 417-5207
DWG NO.	991L	REV C
SCALE 0.375	REF. -	SHEET 3 OF 3