

BILL OF MATERIAL (CURRENT LEVEL)

ITEM	PT/ASSY	DESCRIPTION	TYPE	QTY.
1	40483	TOWEL BAR HOOK POST - LEFT	PART	1
2	7-709	TOWEL BAR TUBE	ASSEMBLY	1
3	40484	TOWEL BAR HOOK POST - RIGHT	PART	1
4	40482	ROSETTE	PART	2
5	07XX	MOUNTING BRACKET	PART	2
6	1-206	HARDWARE PACK	ASSEMBLY	2
7	92308	SCRW, M5 X 5 CUP POINT 18-8 SS SOCKET HD SET (MMC# 92015A117)	PART	2
8	10888	2.5MM ALLOY STEEL HEX KEY	PART	1

COPYRIGHT 2005 BRASSTECH, INC. THESE DRAWINGS AND THE DESIGNS DEPICTED HEREIN ARE THE PROPRIETARY PROPERTY OF BRASSTECH. ANY USE OR REPRODUCTION IS SUBJECT TO THE EXPRESS APPROVAL OF BRASSTECH. UNAUTHORIZED USE IS STRICTLY PROHIBITED. ALL RIGHTS RESERVED.

BRASSTECH
INCORPORATED
2001 E. CARNEGIE AVE.
SANTA ANA, CA 92705
(949) 417-5207

TOWEL BAR WITH HOOK

ASSY. NO. **39-02**

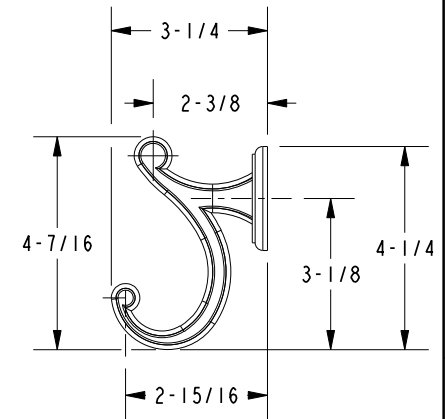
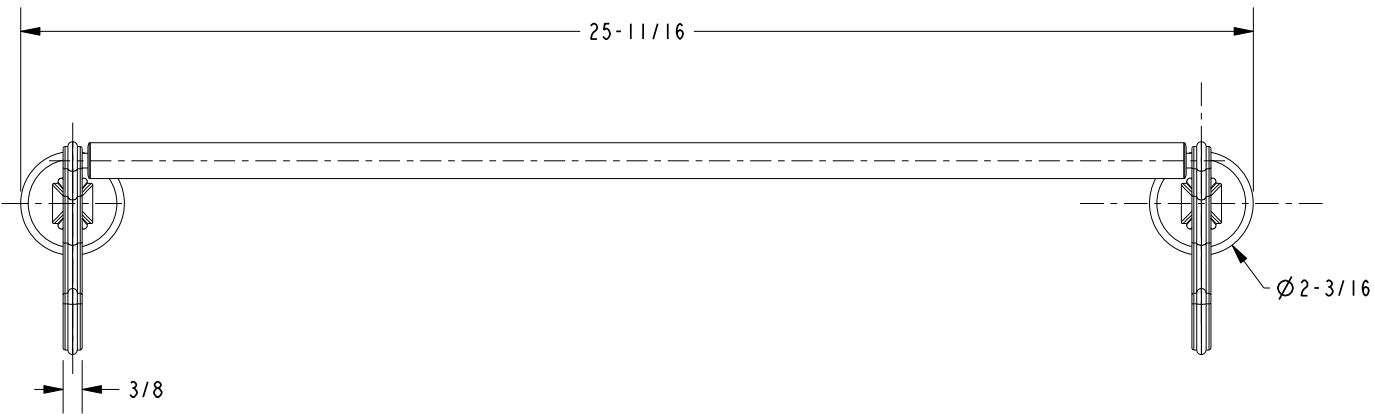
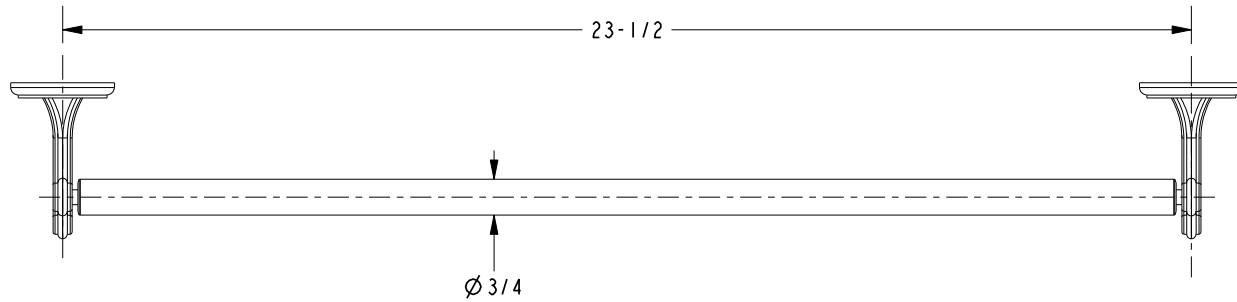
SCALE .200

REF. -

SHEET 1 OF 2

-	-	-
A	EN-1984A	01/12/12
-	EN-1984	12/14/11
REV	REV DESC	DATE

SPECIFICATION DWG



DIMENSIONS ARE IN INCHES AND AN APPROXIMATION OF A TYPICAL INSTALLATION

COPYRIGHT 2005 BRASSTECH, INC. THESE DRAWINGS AND THE DESIGNS DEPICTED HEREIN ARE THE PROPRIETARY PROPERTY OF BRASSTECH. ANY USE OR REPRODUCTION IS SUBJECT TO THE EXPRESS APPROVAL OF BRASSTECH. UNAUTHORIZED USE IS STRICTLY PROHIBITED. ALL RIGHTS RESERVED.

BRASSTECH		2001 E. CARNEGIE AVE.
INCORPORATED		SANTA ANA, CA 92705
		(949) 417-5207
DWG NO.	39-02	REV A
SCALE .250	REF. -	SHEET 2 OF 2