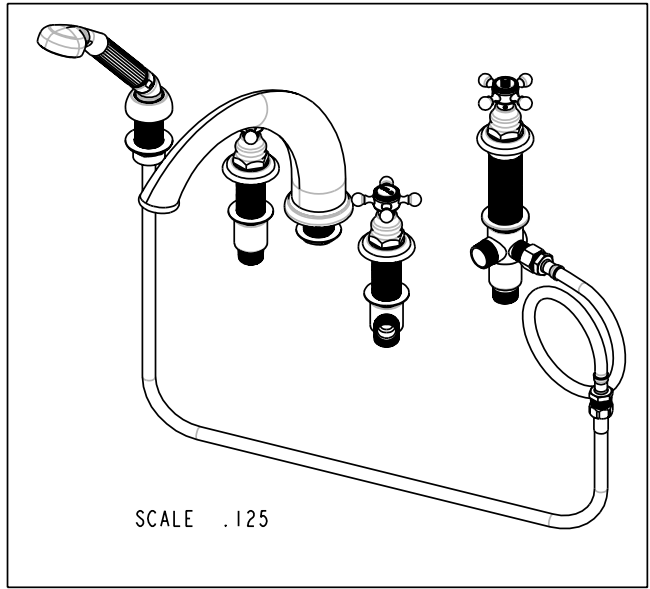


**BILL OF MATERIAL (CURRENT LEVEL)**

| ITEM | PT/ASSY | DESCRIPTION                 | TYPE     | QTY. |
|------|---------|-----------------------------|----------|------|
| 1    | 3-897   | TRIM KIT - ROMAN TUB, 3-897 | ASSEMBLY | 1    |
| 2    | 1-507   | R/T 3-VALVE/QUICK CONNECT   | ASSEMBLY | 1    |



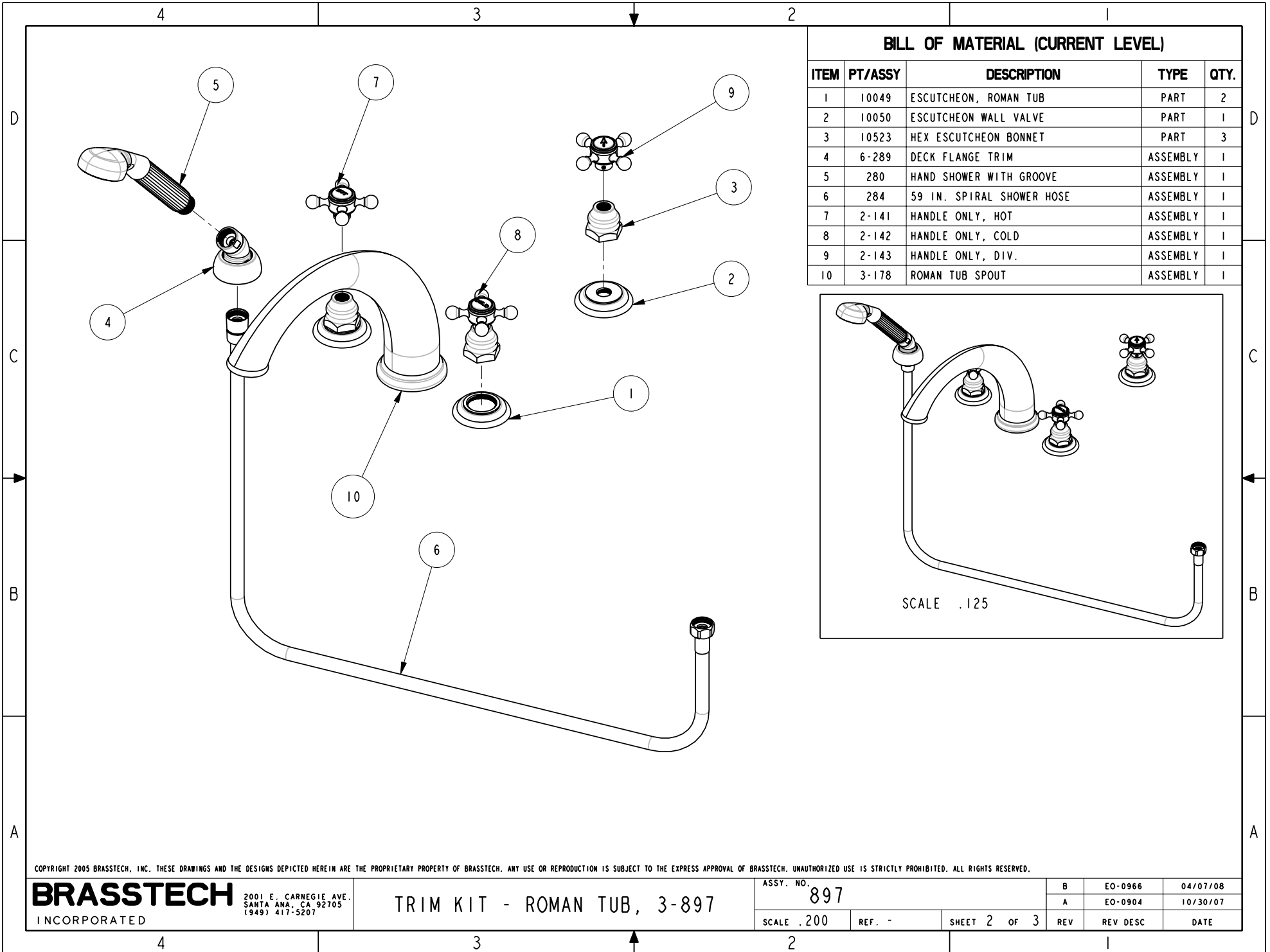
COPYRIGHT 2005 BRASSTECH, INC. THESE DRAWINGS AND THE DESIGNS DEPICTED HEREIN ARE THE PROPRIETARY PROPERTY OF BRASSTECH. ANY USE OR REPRODUCTION IS SUBJECT TO THE EXPRESS APPROVAL OF BRASSTECH. UNAUTHORIZED USE IS STRICTLY PROHIBITED. ALL RIGHTS RESERVED.

**BRASSTECH**  
INCORPORATED

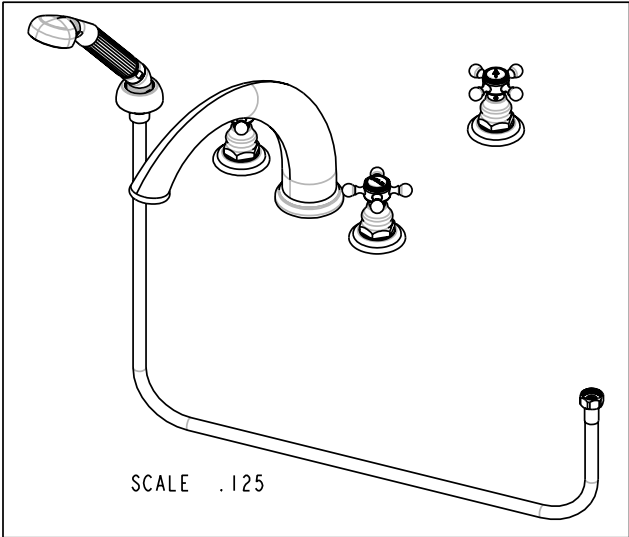
2001 E. CARNEGIE AVE.  
SANTA ANA, CA 92705  
(949) 417-5207

R/T W/HANDSHWR

|           |      |        |          |
|-----------|------|--------|----------|
| ASSY. NO. | 897  |        |          |
| SCALE     | REF. | SHEET  | REV      |
| .200      | -    | 1 OF 3 | REV DESC |
|           |      |        | DATE     |
|           |      |        | 04/07/08 |
|           |      |        | 10/30/07 |



| BILL OF MATERIAL (CURRENT LEVEL) |         |                           |          |      |
|----------------------------------|---------|---------------------------|----------|------|
| ITEM                             | PT/ASSY | DESCRIPTION               | TYPE     | QTY. |
| 1                                | 10049   | ESCUTCHEON, ROMAN TUB     | PART     | 2    |
| 2                                | 10050   | ESCUTCHEON WALL VALVE     | PART     | 1    |
| 3                                | 10523   | HEX ESCUTCHEON BONNET     | PART     | 3    |
| 4                                | 6-289   | DECK FLANGE TRIM          | ASSEMBLY | 1    |
| 5                                | 280     | HAND SHOWER WITH GROOVE   | ASSEMBLY | 1    |
| 6                                | 284     | 59 IN. SPIRAL SHOWER HOSE | ASSEMBLY | 1    |
| 7                                | 2-141   | HANDLE ONLY, HOT          | ASSEMBLY | 1    |
| 8                                | 2-142   | HANDLE ONLY, COLD         | ASSEMBLY | 1    |
| 9                                | 2-143   | HANDLE ONLY, DIV.         | ASSEMBLY | 1    |
| 10                               | 3-178   | ROMAN TUB SPOUT           | ASSEMBLY | 1    |



COPYRIGHT 2005 BRASSTECH, INC. THESE DRAWINGS AND THE DESIGNS DEPICTED HEREIN ARE THE PROPRIETARY PROPERTY OF BRASSTECH. ANY USE OR REPRODUCTION IS SUBJECT TO THE EXPRESS APPROVAL OF BRASSTECH. UNAUTHORIZED USE IS STRICTLY PROHIBITED. ALL RIGHTS RESERVED.

**BRASSTECH**  
INCORPORATED

2001 E. CARNEGIE AVE.  
SANTA ANA, CA 92705  
(949) 417-5207

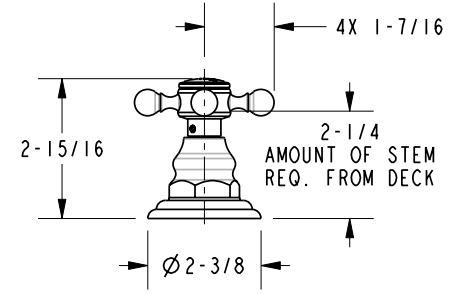
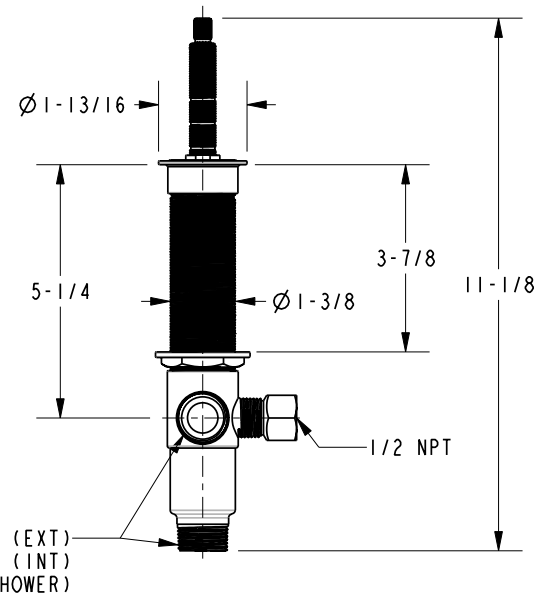
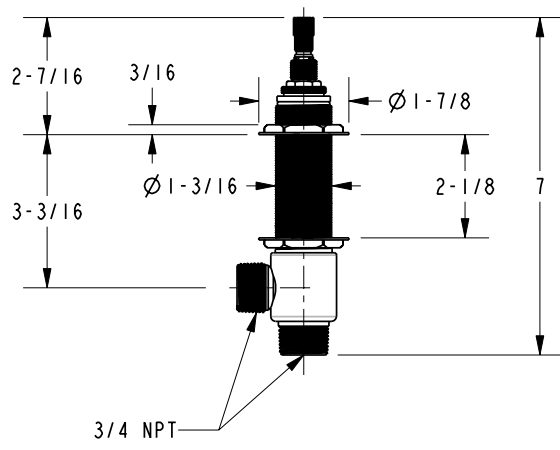
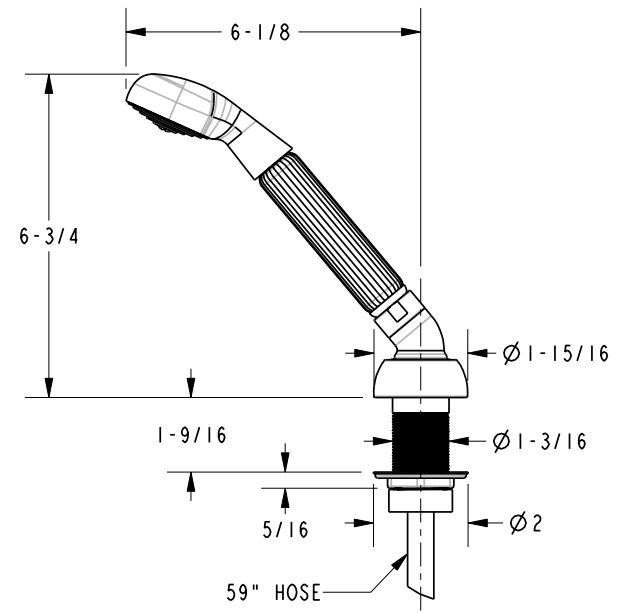
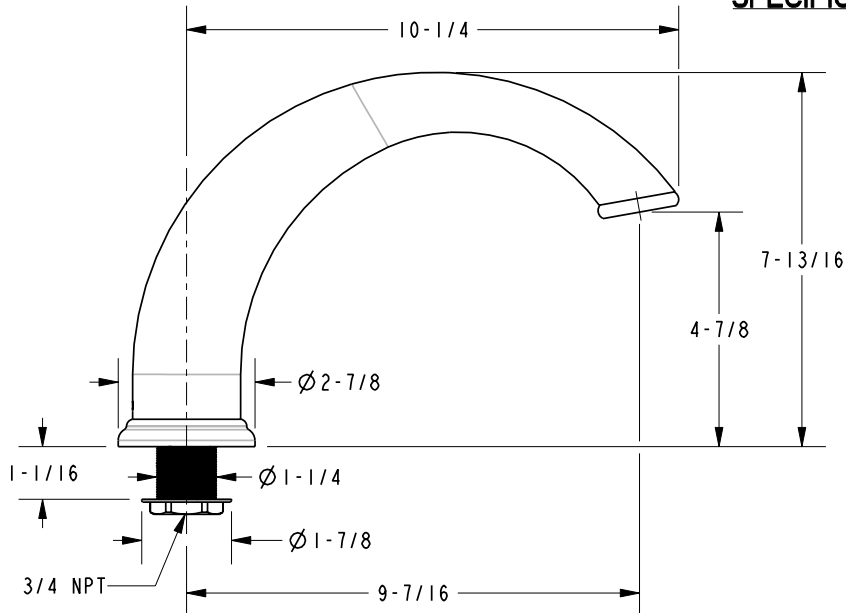
TRIM KIT - ROMAN TUB, 3-897

|            |        |              |          |
|------------|--------|--------------|----------|
| ASSY. NO.  | 897    |              |          |
| SCALE .200 | REF. - | SHEET 2 OF 3 | REV      |
|            |        |              | REV DESC |
|            |        |              | DATE     |

|   |         |          |
|---|---------|----------|
| B | EO-0966 | 04/07/08 |
| A | EO-0904 | 10/30/07 |

4 3 2 1

**SPECIFICATION DWG**



3/4 NPT (EXT)  
3/4 SWEAT (INT)  
(HANDSHOWER)

DIMENSIONS ARE IN INCHES AND AN APPROXIMATION OF A TYPICAL INSTALLATION

COPYRIGHT 2005 BRASSTECH, INC. THESE DRAWINGS AND THE DESIGNS DEPICTED HEREIN ARE THE PROPRIETARY PROPERTY OF BRASSTECH. ANY USE OR REPRODUCTION IS SUBJECT TO THE EXPRESS APPROVAL OF BRASSTECH. UNAUTHORIZED USE IS STRICTLY PROHIBITED. ALL RIGHTS RESERVED.

|                  |        |  |  |
|------------------|--------|--|--|
| <b>BRASSTECH</b> |        | 2001 E. CARNEGIE AVE.<br>SANTA ANA, CA 92705<br>(949) 417-5207 |  |
| INCORPORATED     |        |  |  |
| DWG NO.          | 897    | REV B  |  |
| SCALE .250       | REF. - | SHEET 3 OF 3   |  |