

4

3

2

1

**BILL OF MATERIAL (CURRENT LEVEL)**

ITEM	PT/ASSY	DESCRIPTION	TYPE	QTY.
1	206	SHOWER ARM FLANGE	PART	1
2	200	SHOWER ARM 6" BRASS	PART	1
3	2156	SHOWER HEAD, TRAD	ASSEMBLY	1
4	2-224	COVERPLATE BP W/DIVERTER	ASSEMBLY	1
5	3-159	TRIM KIT - STOP VALVE	ASSEMBLY	1
6	2-249A	WALL TUB SPOUT ASM	ASSEMBLY	1
7	2-217	DIVERTER TRIM KIT	ASSEMBLY	1

D

D

C

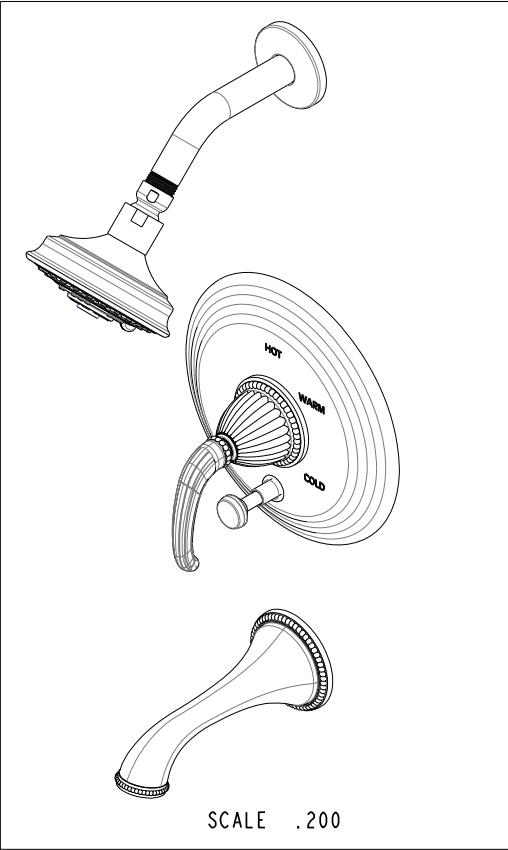
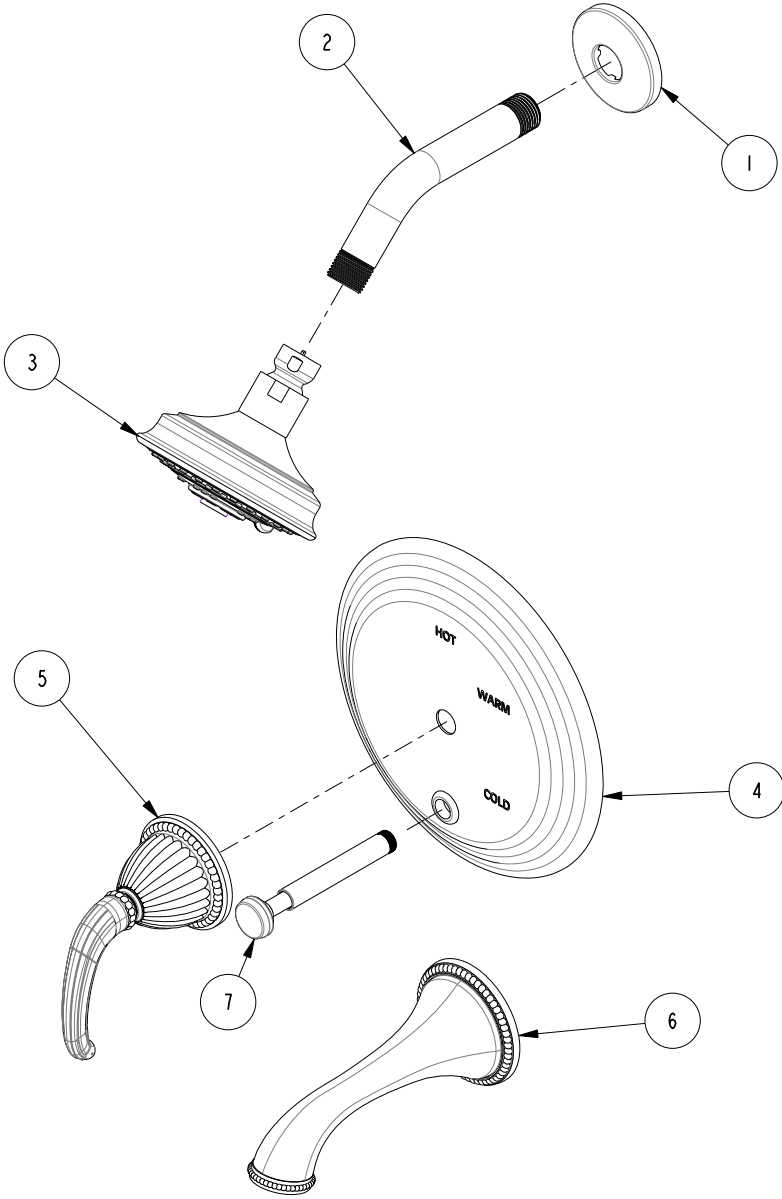
C

B

B

A

A



COPYRIGHT 2005 BRASSTECH, INC. THESE DRAWINGS AND THE DESIGNS DEPICTED HEREIN ARE THE PROPRIETARY PROPERTY OF BRASSTECH. ANY USE OR REPRODUCTION IS SUBJECT TO THE EXPRESS APPROVAL OF BRASSTECH. UNAUTHORIZED USE IS STRICTLY PROHIBITED. ALL RIGHTS RESERVED.

**BRASSTECH**  
 INCORPORATED  
 2001 E. CARNEGIE AVE.  
 SANTA ANA, CA 92705  
 (949) 417-5207

TRIM KIT - BP SHOWER 3-882BP

ASSY. NO. 3-882BP

SCALE .250

REF. -

SHEET 1 OF 3

C	EN-2802	09/02/14
B	EN-1745	08/22/11
A	EN-1183	03/23/09
-	RELEASED	-
REV	REV DESC	DATE

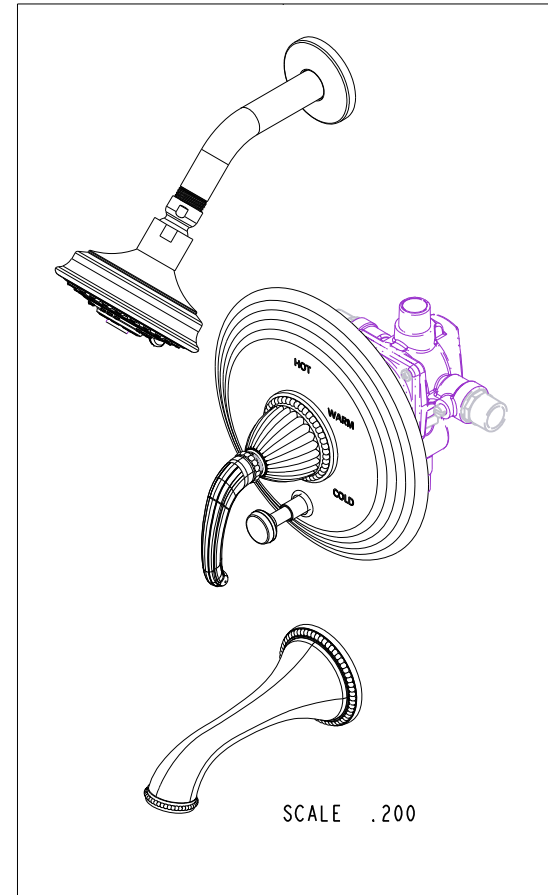
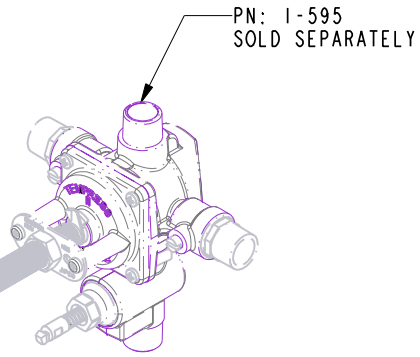
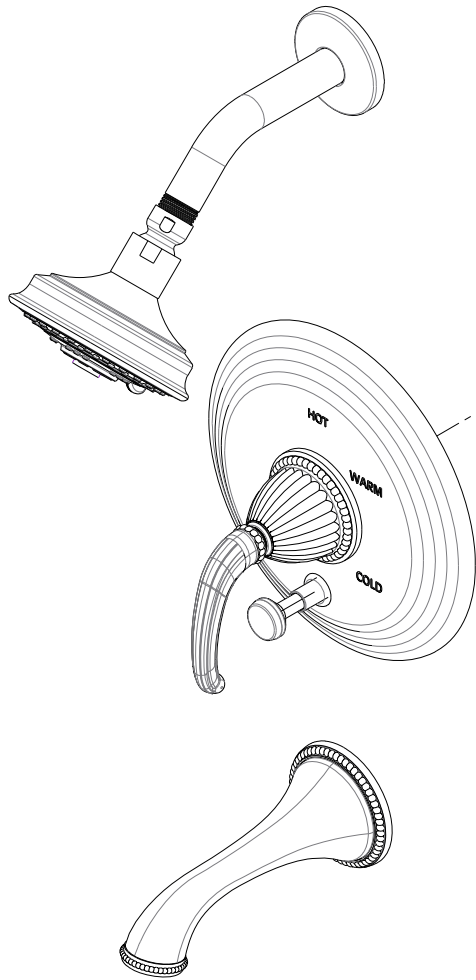
4

3

2

1

SPECIFICATION DWG



DIMENSIONS ARE IN INCHES AND AN APPROXIMATION OF A TYPICAL INSTALLATION

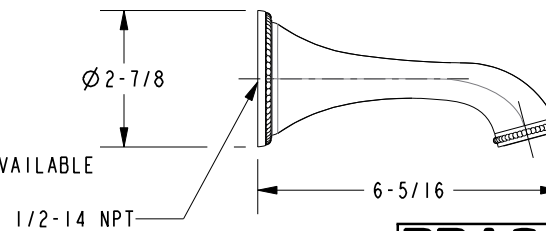
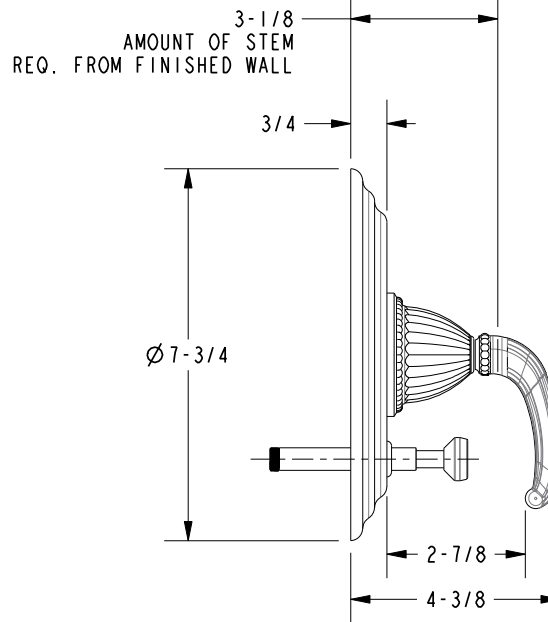
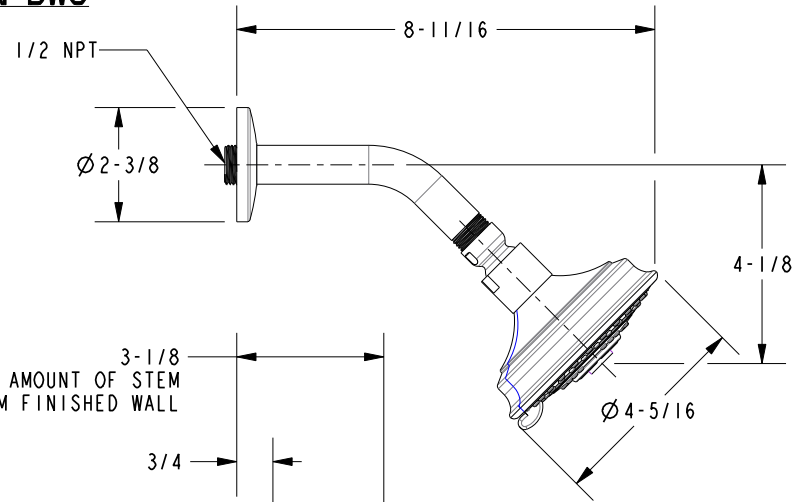
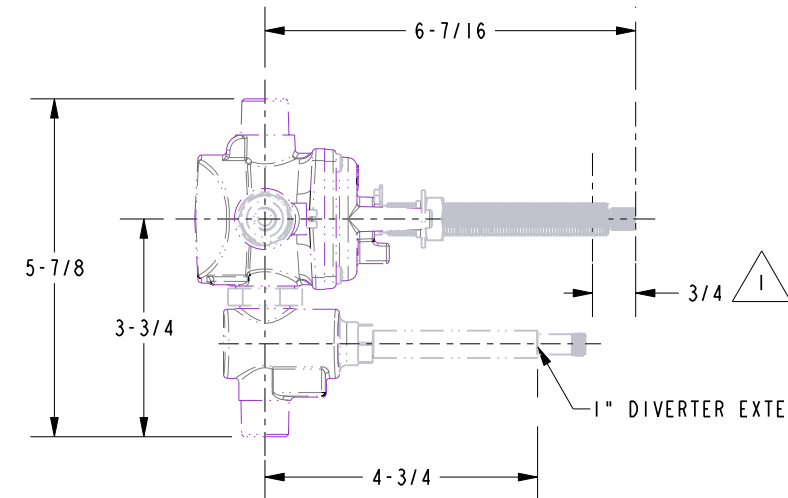
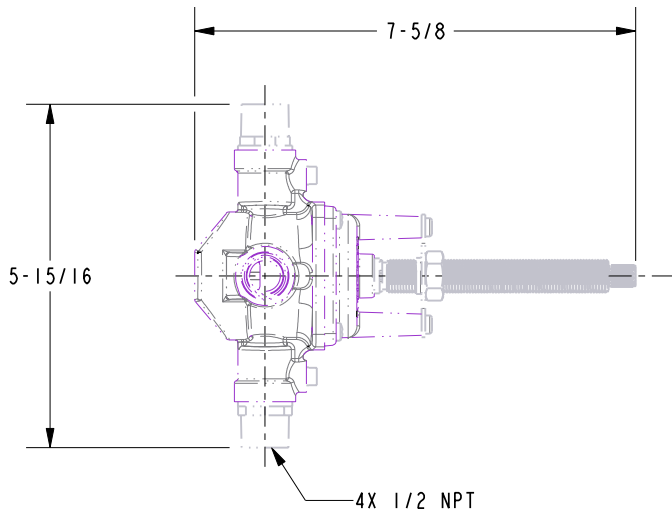
COPYRIGHT 2005 BRASSTECH, INC. THESE DRAWINGS AND THE DESIGNS DEPICTED HEREIN ARE THE PROPRIETARY PROPERTY OF BRASSTECH. ANY USE OR REPRODUCTION IS SUBJECT TO THE EXPRESS APPROVAL OF BRASSTECH. UNAUTHORIZED USE IS STRICTLY PROHIBITED. ALL RIGHTS RESERVED.

<b>BRASSTECH</b>		2001 CARNEGIE AVE.
INCORPORATED		SANTA ANA, CA 92705
		(949) 417-5207
DWG NO.	3-882BP	REV C
SCALE .250	REF. -	SHEET 2 OF 3

**SPECIFICATION DWG**

**NOTES:**

1. CUT ALL-THREAD 3/4" SHORTER THAN STEM.



DIMENSIONS ARE IN INCHES AND AN APPROXIMATION OF A TYPICAL INSTALLATION

COPYRIGHT 2005 BRASSTECH, INC. THESE DRAWINGS AND THE DESIGNS DEPICTED HEREIN ARE THE PROPRIETARY PROPERTY OF BRASSTECH. ANY USE OR REPRODUCTION IS SUBJECT TO THE EXPRESS APPROVAL OF BRASSTECH. UNAUTHORIZED USE IS STRICTLY PROHIBITED. ALL RIGHTS RESERVED.

<b>BRASSTECH</b>		2001 CARNEGIE AVE.
INCORPORATED		SANTA ANA, CA 92705
		(949) 417-5207
DWG NO.	3-882BP	REV C
SCALE	.250	REF. -
		SHEET 3 OF 3