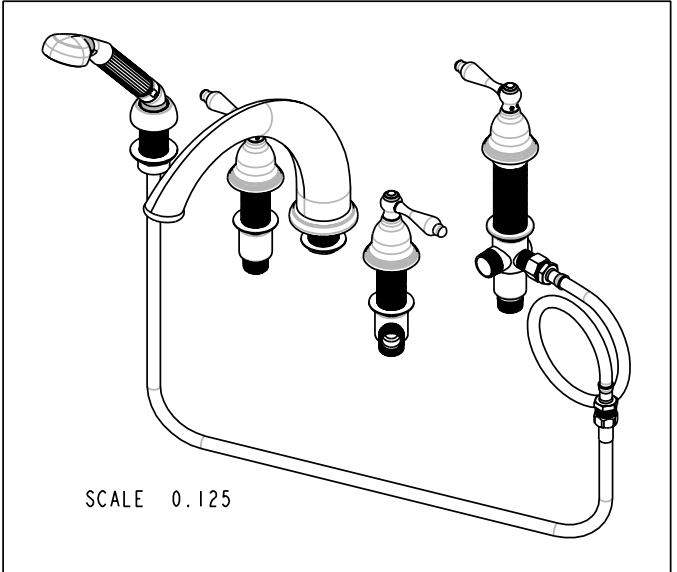


BILL OF MATERIAL (CURRENT LEVEL)				
ITEM	PT/ASSY	DESCRIPTION	TYPE	QTY.
1	1-507	R/T 3-VALVE/QUICK CONNECT	ASSEMBLY	1
2	3-857C	TRIM KIT - 3 VALVE ROMAN TUB, 3-857C	ASSEMBLY	1



SCALE 0.125

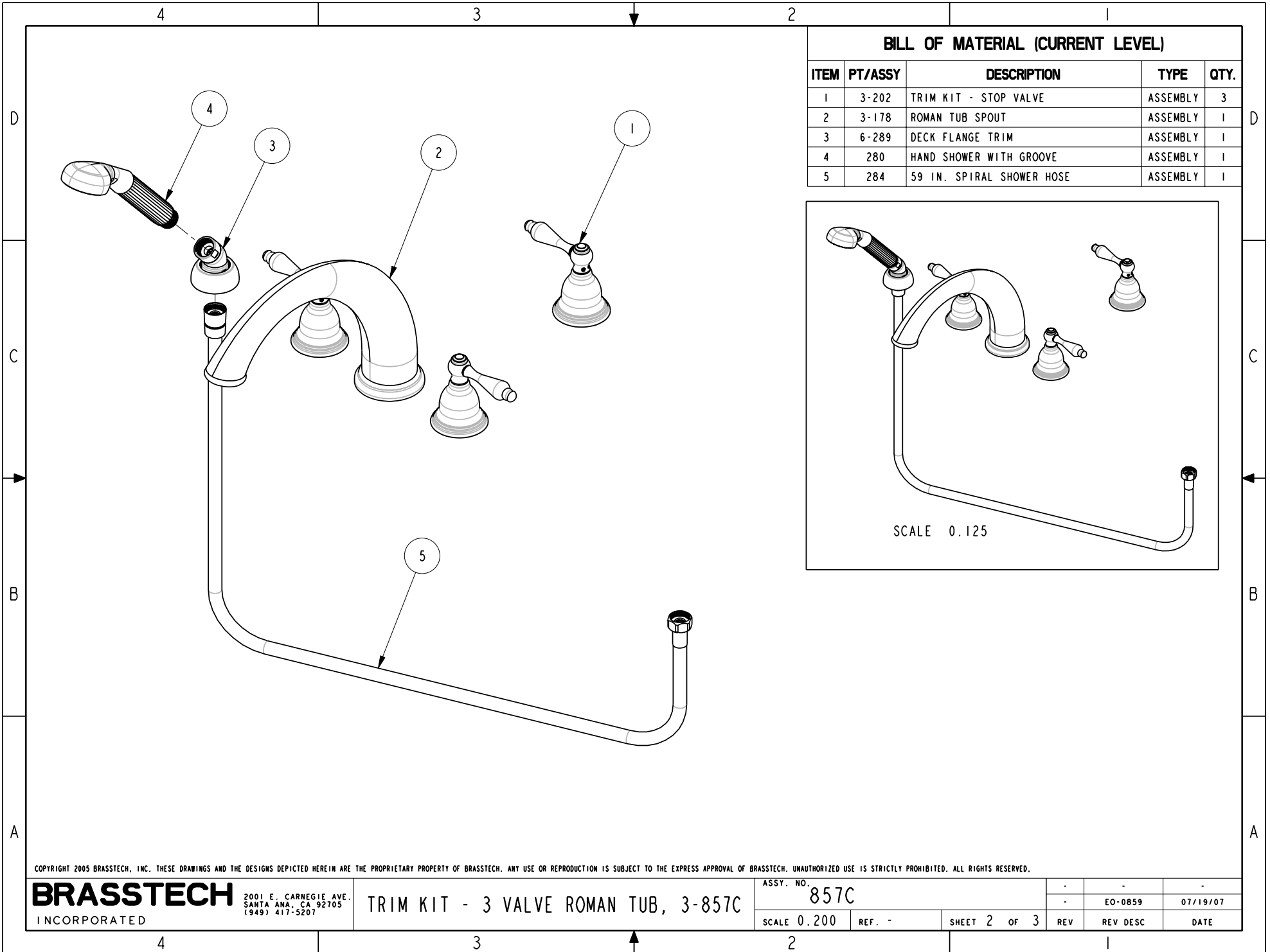
COPYRIGHT 2005 BRASSTECH, INC. THESE DRAWINGS AND THE DESIGNS DEPICTED HEREIN ARE THE PROPRIETARY PROPERTY OF BRASSTECH. ANY USE OR REPRODUCTION IS SUBJECT TO THE EXPRESS APPROVAL OF BRASSTECH. UNAUTHORIZED USE IS STRICTLY PROHIBITED. ALL RIGHTS RESERVED.

BRASSTECH
INCORPORATED
2001 E. CARNEGIE AVE.
SANTA ANA, CA 92705
(949) 417-5207

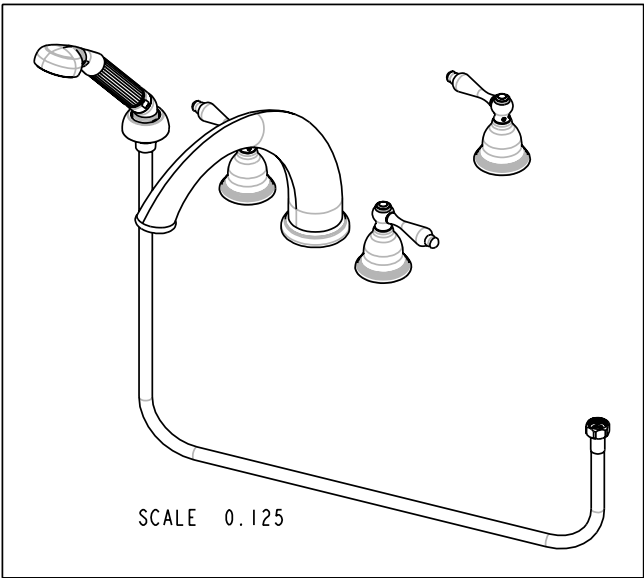
ROMAN TUB - WITH HANDSHOWER

ASSY. NO.	857C	-	-	-
SCALE 0.200	REF. -	SHEET 1 OF 3	REV	REV DESC
				DATE

4 3 2 1



BILL OF MATERIAL (CURRENT LEVEL)				
ITEM	PT/ASSY	DESCRIPTION	TYPE	QTY.
1	3-202	TRIM KIT - STOP VALVE	ASSEMBLY	3
2	3-178	ROMAN TUB SPOUT	ASSEMBLY	1
3	6-289	DECK FLANGE TRIM	ASSEMBLY	1
4	280	HAND SHOWER WITH GROOVE	ASSEMBLY	1
5	284	59 IN. SPIRAL SHOWER HOSE	ASSEMBLY	1



COPYRIGHT 2005 BRASSTECH, INC. THESE DRAWINGS AND THE DESIGNS DEPICTED HEREIN ARE THE PROPRIETARY PROPERTY OF BRASSTECH. ANY USE OR REPRODUCTION IS SUBJECT TO THE EXPRESS APPROVAL OF BRASSTECH. UNAUTHORIZED USE IS STRICTLY PROHIBITED. ALL RIGHTS RESERVED.

BRASSTECH
INCORPORATED

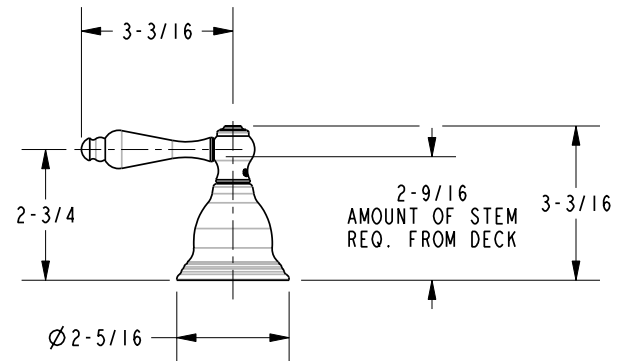
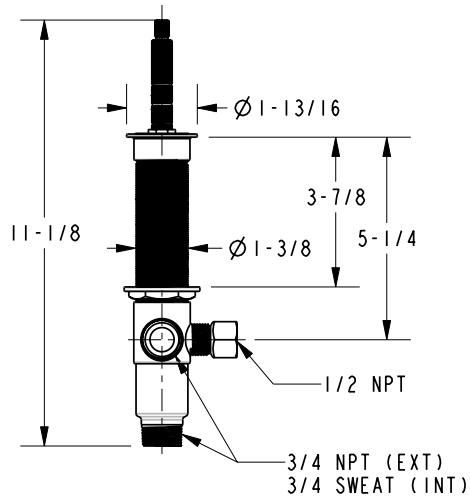
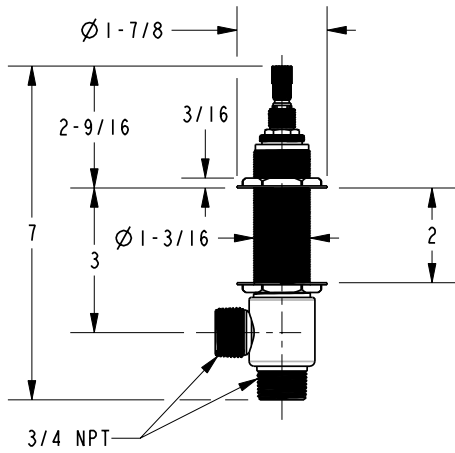
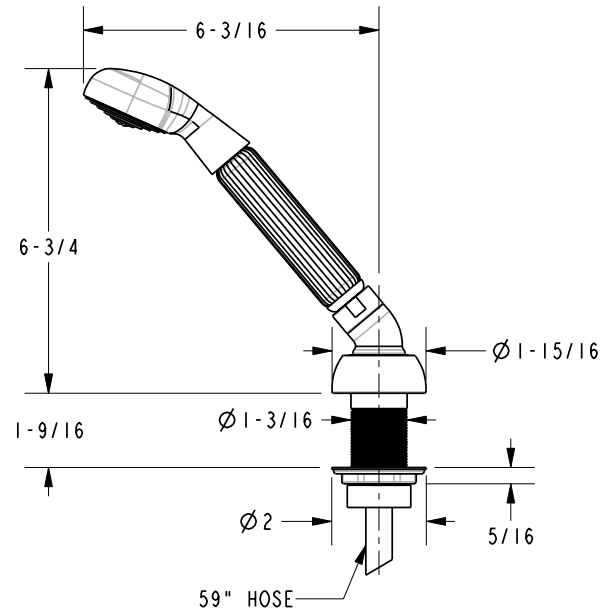
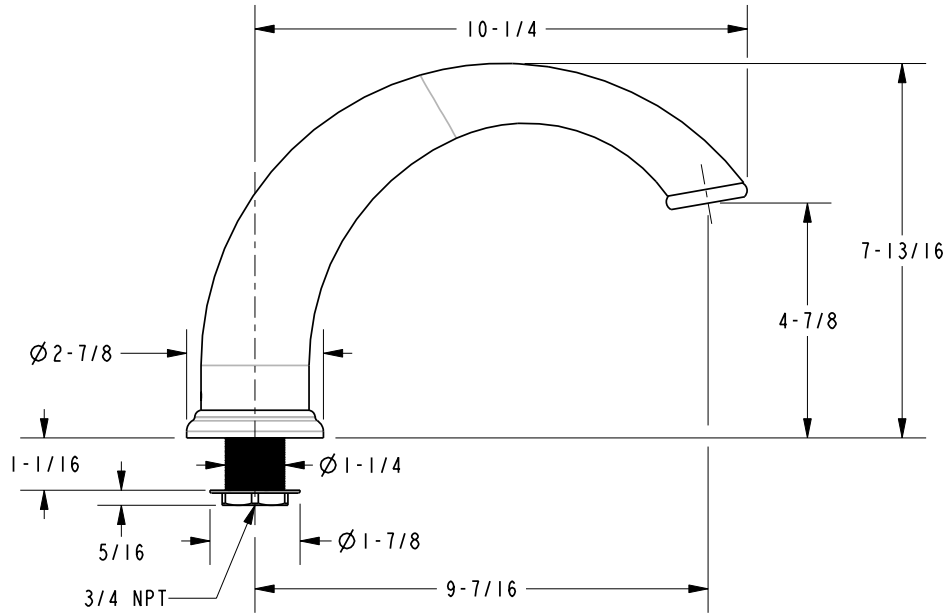
2001 E. CARNEGIE AVE.
SANTA ANA, CA 92705
(949) 417-5207

TRIM KIT - 3 VALVE ROMAN TUB, 3-857C

ASSY. NO.	857C	-	-	-
SCALE 0.200	REF. -	SHEET 2 OF 3	REV	REV DESC
				DATE

EO-0859 07/19/07

SPECIFICATION DWG



DIMENSIONS ARE IN INCHES AND AN APPROXIMATION OF A TYPICAL INSTALLATION

COPYRIGHT 2005 BRASSTECH, INC. THESE DRAWINGS AND THE DESIGNS DEPICTED HEREIN ARE THE PROPRIETARY PROPERTY OF BRASSTECH. ANY USE OR REPRODUCTION IS SUBJECT TO THE EXPRESS APPROVAL OF BRASSTECH. UNAUTHORIZED USE IS STRICTLY PROHIBITED. ALL RIGHTS RESERVED.

BRASSTECH		2001 E. CARNEGIE AVE.
INCORPORATED		SANTA ANA, CA 92705
		(949) 417-5207
DWG NO.	857C	REV -
SCALE 0.250	REF. -	SHEET 3 OF 3