

4

3

2

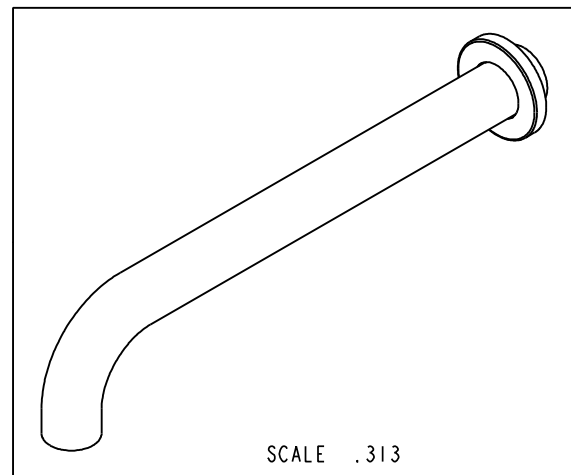
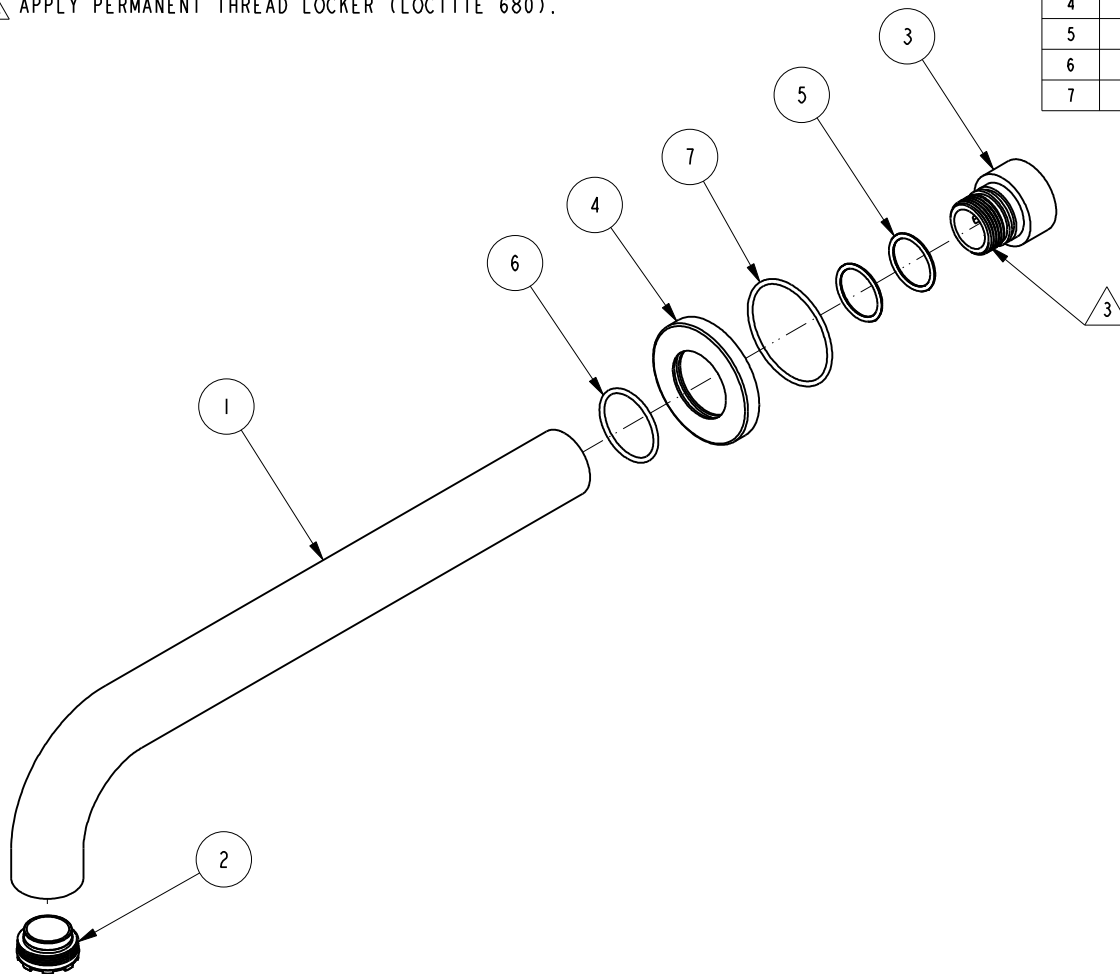
1

NOTES:

- (N1) 1. FIT / FORM / FUNCTION SHALL FOLLOW PS-E.008.
- △ 2. APPLY THIN COAT OF SILICON GREASE ON TO ALL 'O' RINGS BEFORE INSTALLATION.
- △ 3. APPLY PERMANENT THREAD LOCKER (LOCTITE 680).

BILL OF MATERIAL (CURRENT LEVEL)

ITEM	PT/ASSY	DESCRIPTION	TYPE	QTY.
1	20-308	W/M TUB- SPOUT BRAZE ASM	ASSEMBLY	1
2	11711	HIDDEN FAUCET AERATOR	PART	1
3	11894	WALL MOUNT TUB - ADAPTER	PART	1
4	12285	W/M TUB- ESCUTCHEON	PART	1
5	91022	O-RING, #2- 018, EPDM, 65-75 DURO, NSF 61	PART	2
6	91024	O-RING, #2- 022, EPDM, 65-75 DURO	PART	1
7	91159	O-RING, #2-029, EPDM, 65-75 DURO, NSF 61	PART	1



COPYRIGHT 2005 BRASSTECH, INC.
 THESE DRAWINGS AND THE DESIGNS
 DEPICTED HEREIN ARE THE PROPRIETARY
 PROPERTY OF BRASSTECH. ANY USE
 OR REPRODUCTION IS SUBJECT TO
 THE EXPRESS APPROVAL OF BRASSTECH.
 UNAUTHORIZED USE IS STRICTLY
 PROHIBITED. ALL RIGHTS RESERVED.

-	-	EN-3408	09/22/17	J.M
ZONE	REV	DESCRIPTION	DATE	APPROVED

TESTING	-	-	-
ASSEMBLY	-	-	-
PLATING	-	-	-
POLISHING	-	NEXT ASSY	USED ON
MACHINING	-	APPLICATION	
TOOLING	FIXTURE #	REMOVE ALL BURRS AND SHARP EDGES	

UNITS ARE: INCHES [MM]
 TOLERANCES ARE:
 FRACTIONS DECIMALS ANGLES
 $\pm 1/16"$ $.X \pm .1$ [2,5] $\pm 1^\circ$
 $.XX \pm .06$ [1,3]

(X.XXX) DENOTES CRITICAL DIMS.
 ALL THREADS ARE CRITICAL

DRAWN	JINSON	09/22/17
CHECKED	RAVINDRA	09/22/17
APPROVED	J.M	09/22/17

BRASSTECH 2001 CARNEGIE AVE.
 INCORPORATED SANTA ANA, CA 92705
 (949) 417-5207

**SPOUT & ESCUTCHEON ASM -
 WALL MOUNT TUB**

DWG NO. **3-615** REV -

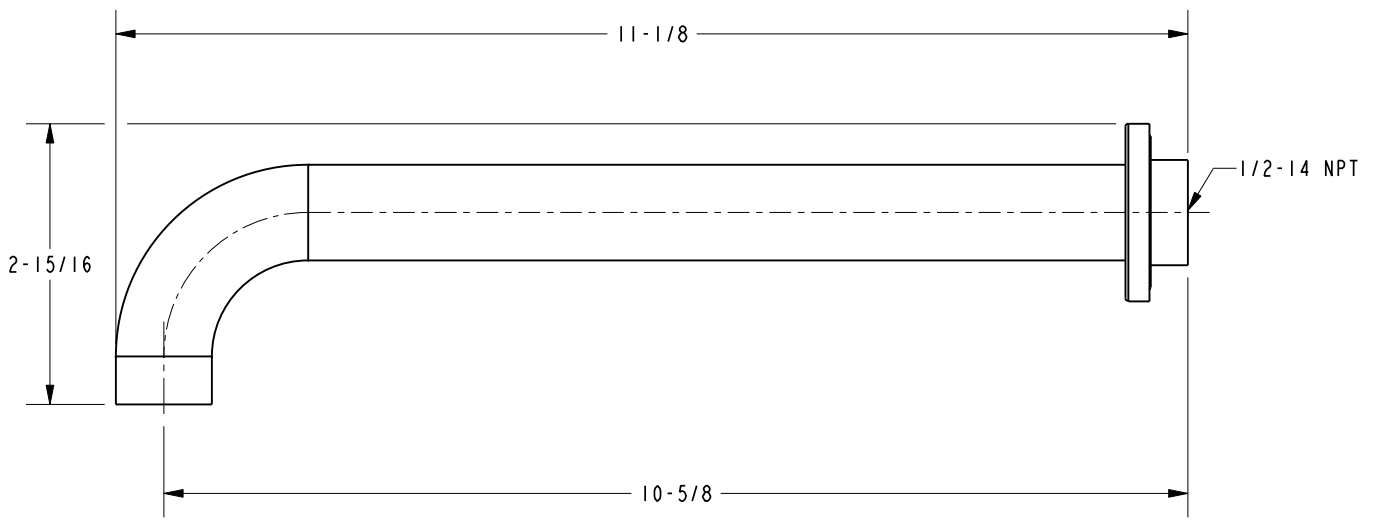
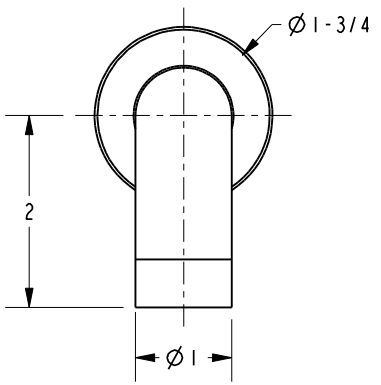
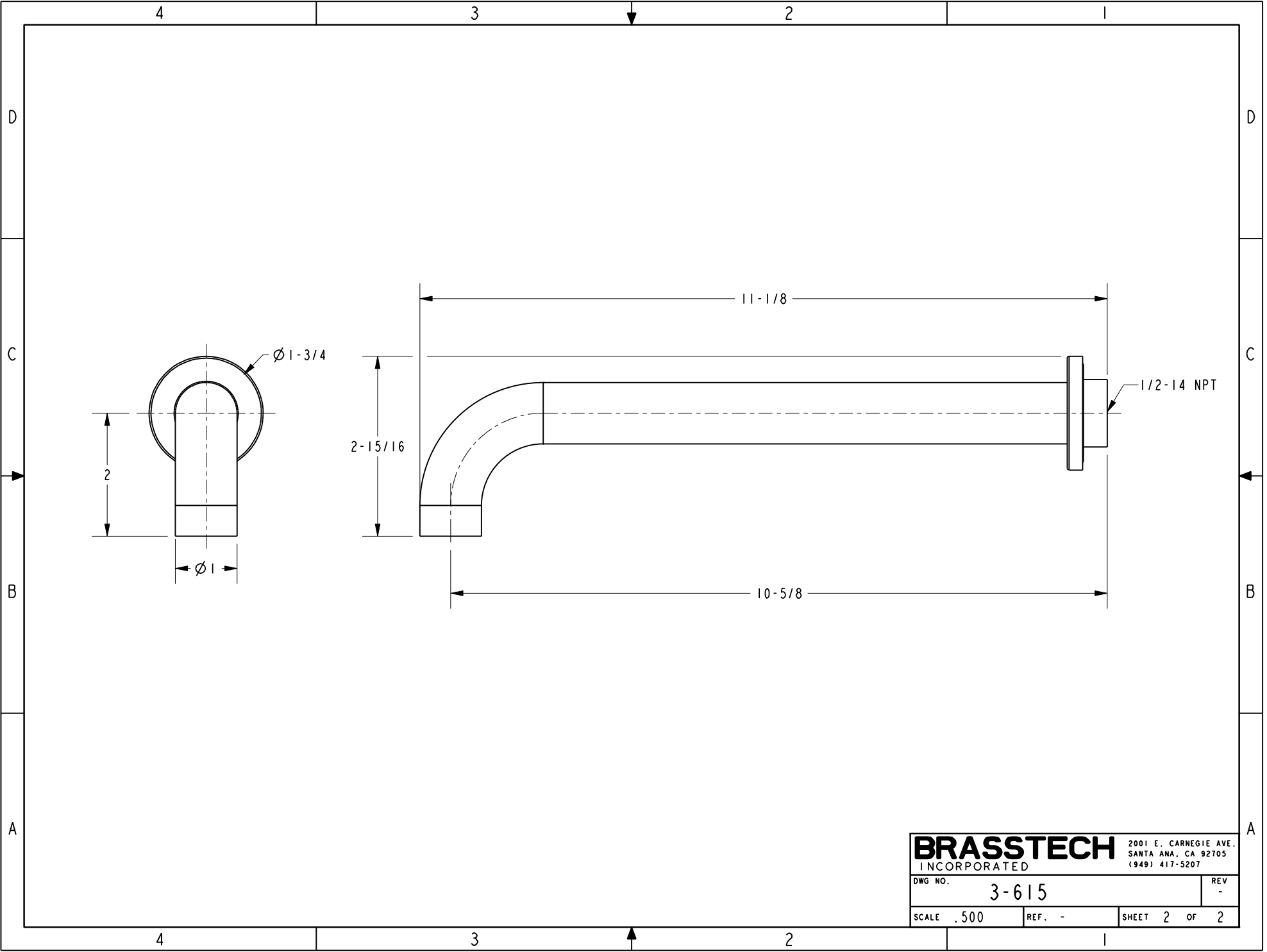
SCALE .375 REF. - SHEET 1 OF 2

4

3

2

1



BRASSTECH		2001 E. CARNEGIE AVE.	
INCORPORATED		SANTA ANA, CA 92705	
		(949) 417-5207	
DWG NO.	3-615	REV	-
SCALE	.500	REF.	-
		SHEET	2 OF 2