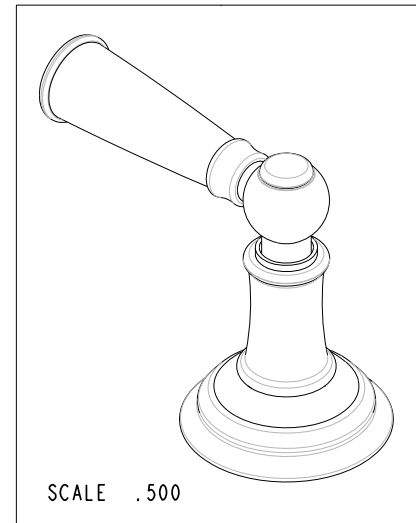
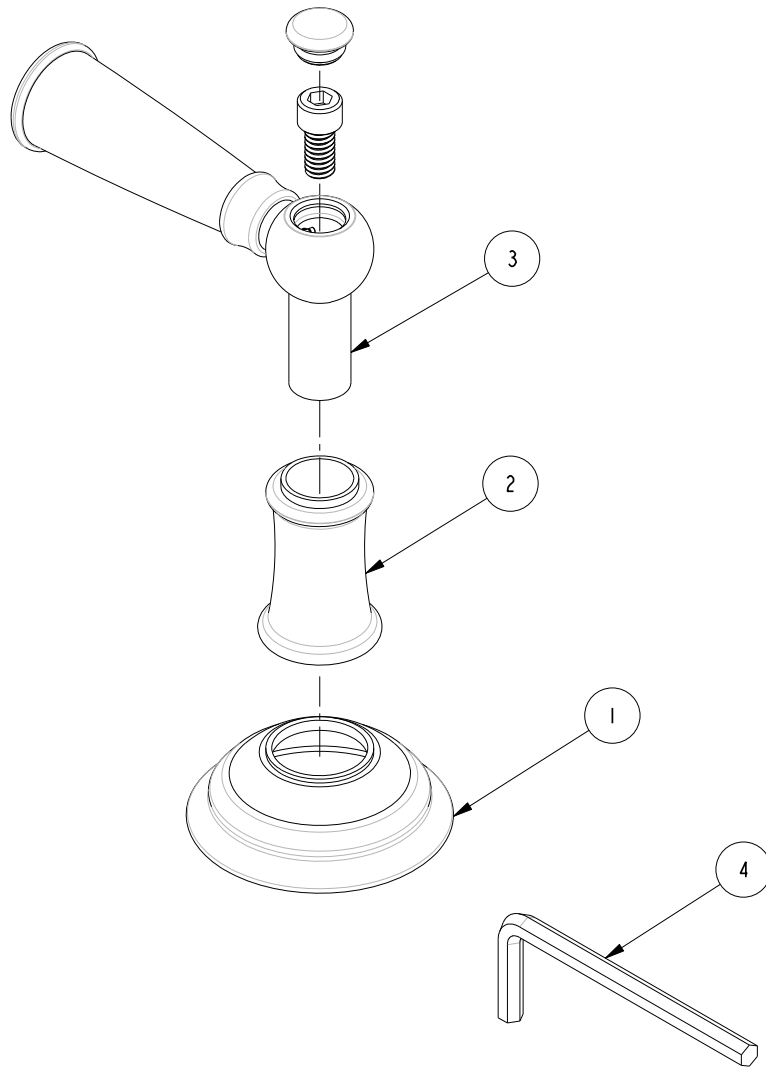


BILL OF MATERIAL (CURRENT LEVEL)				
ITEM	PT/ASSY	DESCRIPTION	TYPE	QTY.
1	2-652	HANDLE ESCUTCHEON ASM	ASSEMBLY	1
2	11590	HANDLE BONNET	PART	1
3	2-636	LEVER HANDLE ASSEMBLY	ASSEMBLY	1
4	92846	HEX KEY, 3/16" ALLOY STEEL	PART	1



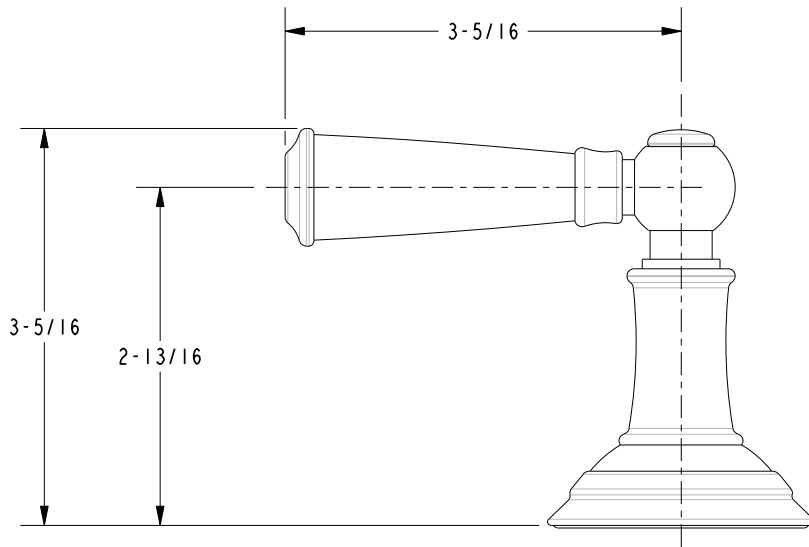
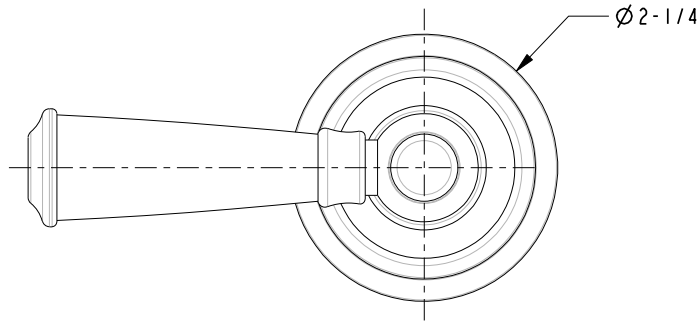
COPYRIGHT 2005 BRASSTECH, INC. THESE DRAWINGS AND THE DESIGNS DEPICTED HEREIN ARE THE PROPRIETARY PROPERTY OF BRASSTECH. ANY USE OR REPRODUCTION IS SUBJECT TO THE EXPRESS APPROVAL OF BRASSTECH. UNAUTHORIZED USE IS STRICTLY PROHIBITED. ALL RIGHTS RESERVED.

**BRASSTECH**  
INCORPORATED  
2001 E. CARNEGIE AVE.  
SANTA ANA, CA 92705  
(949) 417-5207

LEVER HANDLE AND ESC. ASM

ASSY. NO.	3-373	
SCALE	.625	REF. -
SHEET	1	OF 2
REV	REV DESC	DATE
B	EN-2701	02/21/14
A	EN-2032	01/07/14
-	EN-1266-5	04/20/10

**SPECIFICATION DWG**



DIMENSIONS ARE IN INCHES AND AN APPROXIMATION OF A TYPICAL INSTALLATION

COPYRIGHT 2005 BRASSTECH, INC. THESE DRAWINGS AND THE DESIGNS DEPICTED HEREIN ARE THE PROPRIETARY PROPERTY OF BRASSTECH. ANY USE OR REPRODUCTION IS SUBJECT TO THE EXPRESS APPROVAL OF BRASSTECH. UNAUTHORIZED USE IS STRICTLY PROHIBITED. ALL RIGHTS RESERVED.

<b>BRASSTECH</b>		2001 CARNEGIE AVE.	
INCORPORATED		SANTA ANA, CA 92705	
		(949) 417-5207	
DWG NO.	<b>3-373</b>	REV	<b>B</b>
SCALE	.625	REF.	-
		SHEET	2 OF 2