

4

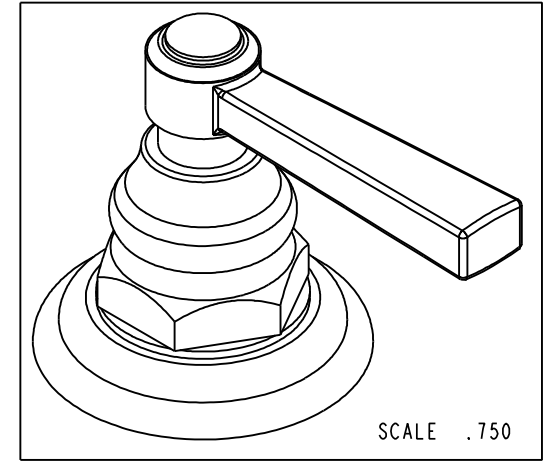
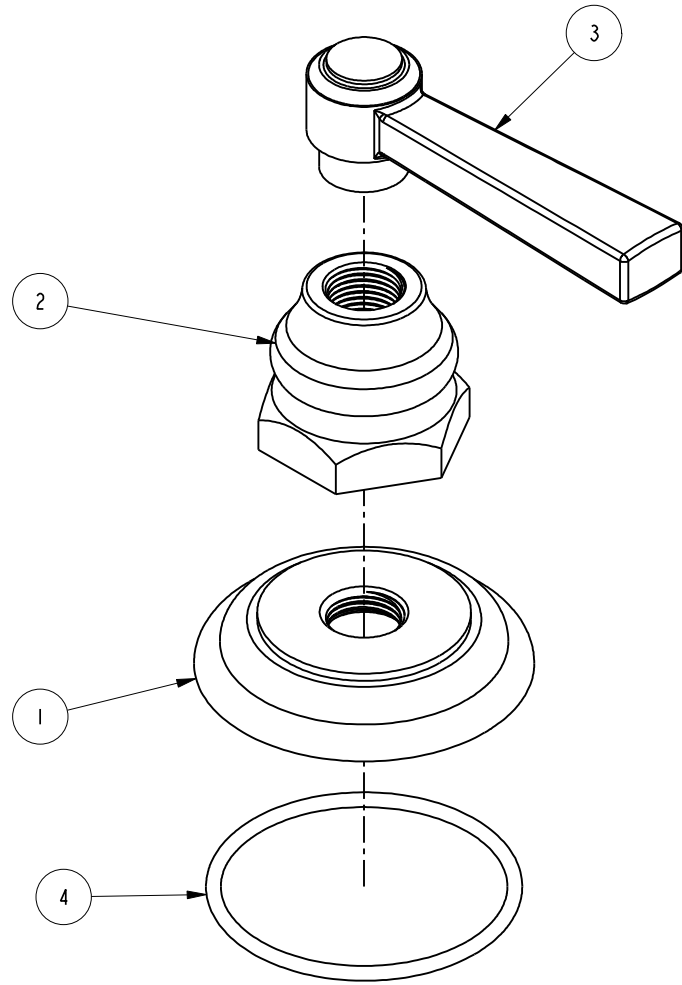
3

2

1

BILL OF MATERIAL (CURRENT LEVEL)

ITEM	PT/ASSY	DESCRIPTION	TYPE	QTY.
1	10050	ESCUTCHEON WALL VALVE	PART	1
2	10523	HEX ESCUTCHEON BONNET	PART	1
3	2-436	LEVER HANDLE ASM	ASSEMBLY	1
4	91231	O-RING, #2-136, EPDM, 65-75 DURO	PART	1



D

D

C

C

B

B

A

A

COPYRIGHT 2005 BRASSTECH, INC. THESE DRAWINGS AND THE DESIGNS DEPICTED HEREIN ARE THE PROPRIETARY PROPERTY OF BRASSTECH. ANY USE OR REPRODUCTION IS SUBJECT TO THE EXPRESS APPROVAL OF BRASSTECH. UNAUTHORIZED USE IS STRICTLY PROHIBITED. ALL RIGHTS RESERVED.

BRASSTECH
 INCORPORATED
 2001 E. CARNEGIE AVE.
 SANTA ANA, CA 92705
 (949) 417-5207

HANDLE ASM

ASSY. NO. 3-343

A	EN-2621b	02/28/14
-	EN-2621	11/21/13

SCALE .750	REF. -	SHEET OF	REV	REV DESC	DATE
------------	--------	------------	-----	----------	------

4

3

2

1