

4

3

2

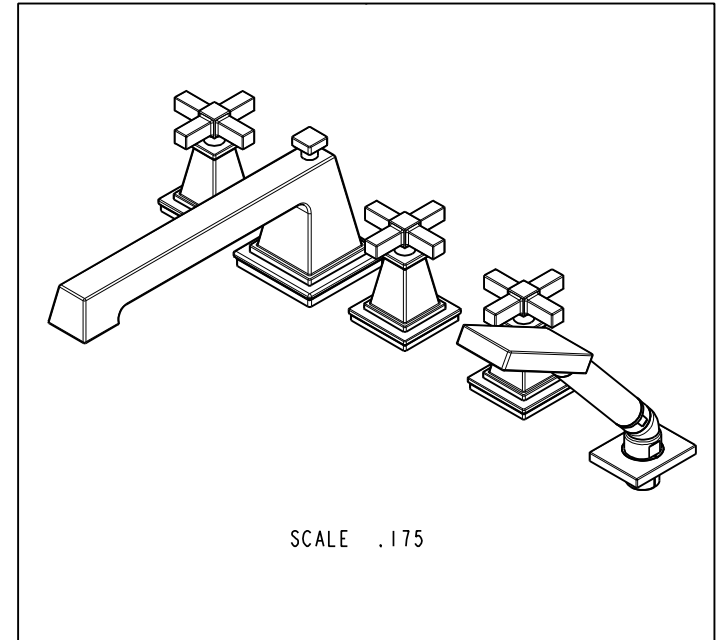
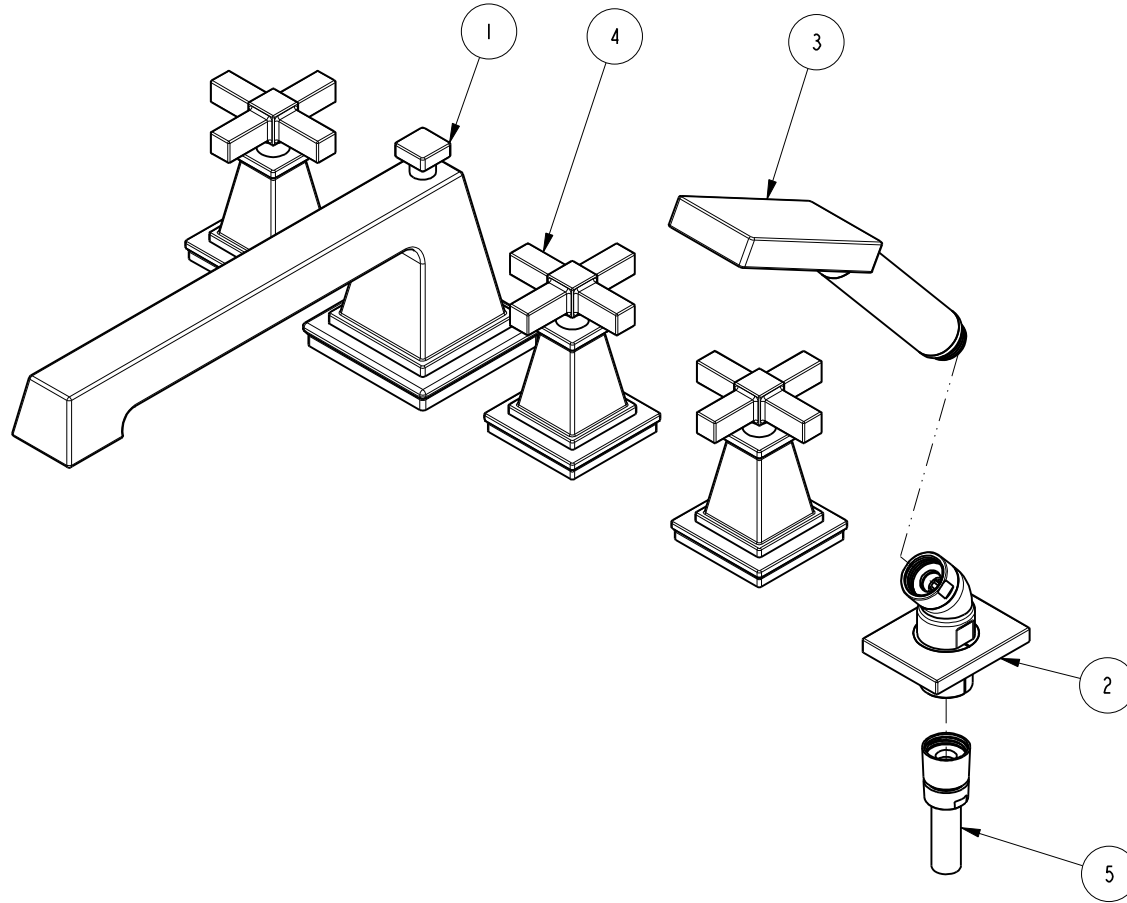
1

NOTES:

(N1) 1. FIT / FORM / FUNCTION SHALL FOLLOW PS-E.008.

BILL OF MATERIAL (CURRENT LEVEL)

ITEM	PT/ASSY	DESCRIPTION	TYPE	QTY.
1	3-582	R/T SPOUT ASM	ASSEMBLY	1
2	6-289-4	DECK FLANGE TRIM	ASSEMBLY	1
3	283-4	HANDSPRAY ASSEMBLY	ASSEMBLY	1
4	3-581	CROSS HANDLE W/ESC.	ASSEMBLY	3
5	284	59 IN. SPIRAL SHOWER HOSE	ASSEMBLY	1



SCALE .175

5

2

TESTING	-	-	-
ASSEMBLY	-	-	-
PLATING	-	-	-
POLISHING	-	NEXT ASSY	USED ON
MACHINING	-	APPLICATION	
TOOLING FIXTURE #		REMOVE ALL BURRS AND SHARP EDGES	

UNITS ARE: INCHES [MM]
 TOLERANCES ARE:
 FRACTIONS DECIMALS ANGLES
 $\pm 1/16"$.X $\pm .1$ [2.5] $\pm 1^\circ$
 .XX $\pm .06$ [1.5]
 (X.XXX) DENOTES CRITICAL DIMS.
 ALL THREADS ARE CRITICAL

DRAWN JINSON 08/09/16
 CHECKED RAVINDRA 08/09/16
 APPROVED J.M. 08/09/16

COPYRIGHT 2005 BRASSTECH, INC.
 THESE DRAWINGS AND THE DESIGNS
 DEPICTED HEREIN ARE THE PROPRIETARY
 PROPERTY OF BRASSTECH. ANY USE
 OR REPRODUCTION IS SUBJECT TO
 THE EXPRESS APPROVAL OF BRASSTECH.
 UNAUTHORIZED USE IS STRICTLY
 PROHIBITED. ALL RIGHTS RESERVED.

-	-	EN-3061	08/09/16	J.M
ZONE	REV	DESCRIPTION	DATE	APPROVED

BRASSTECH 2001 CARNEGIE AVE.
 INCORPORATED SANTA ANA, CA 92705
 (949) 417-5207

ROMAN TUB FAUCET W/
 HANDSHOWER

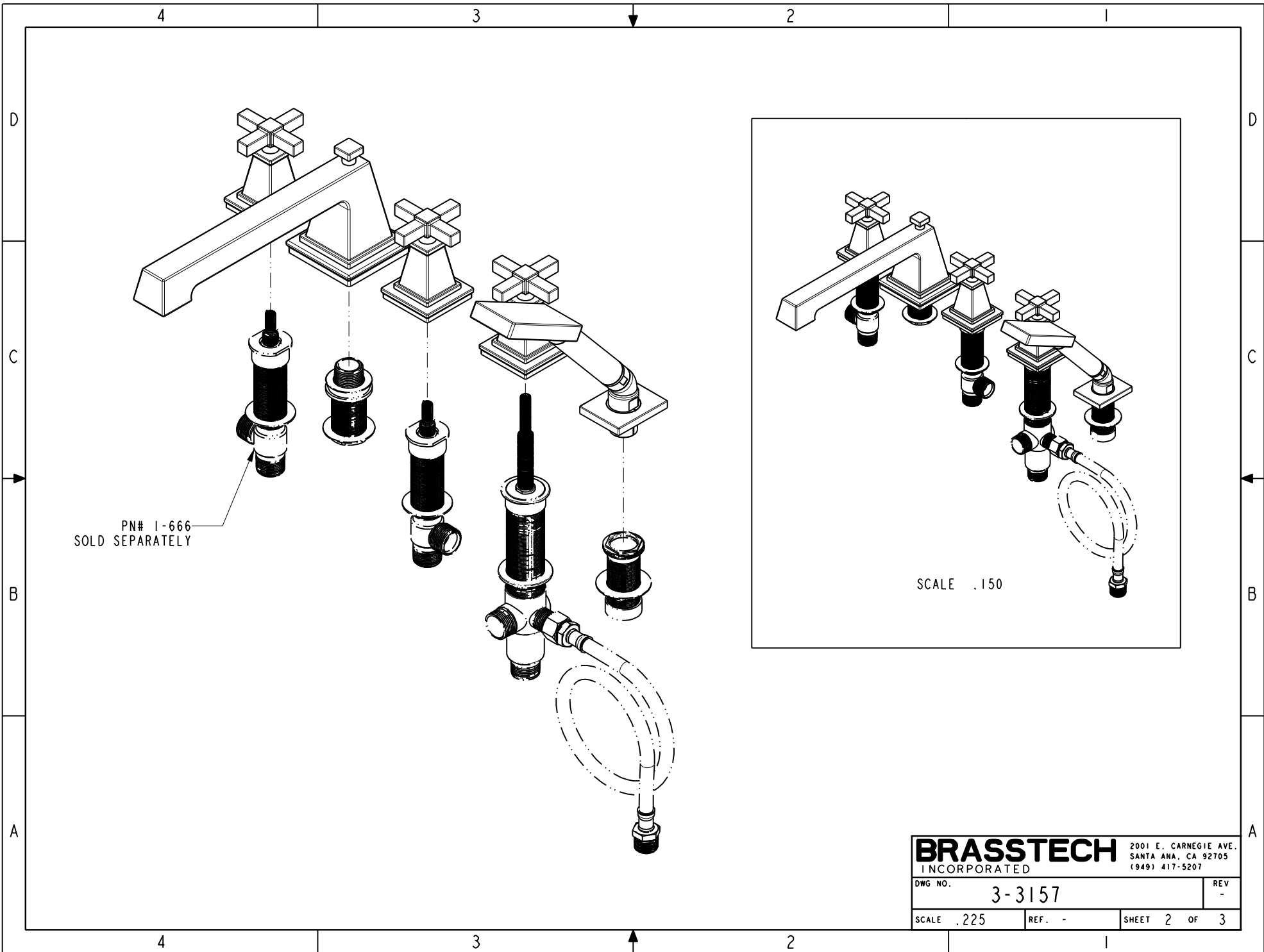
DWG NO.	3-3157	REV	-
SCALE	.275	REF.	-
SHEET	1	OF	3

4

3

2

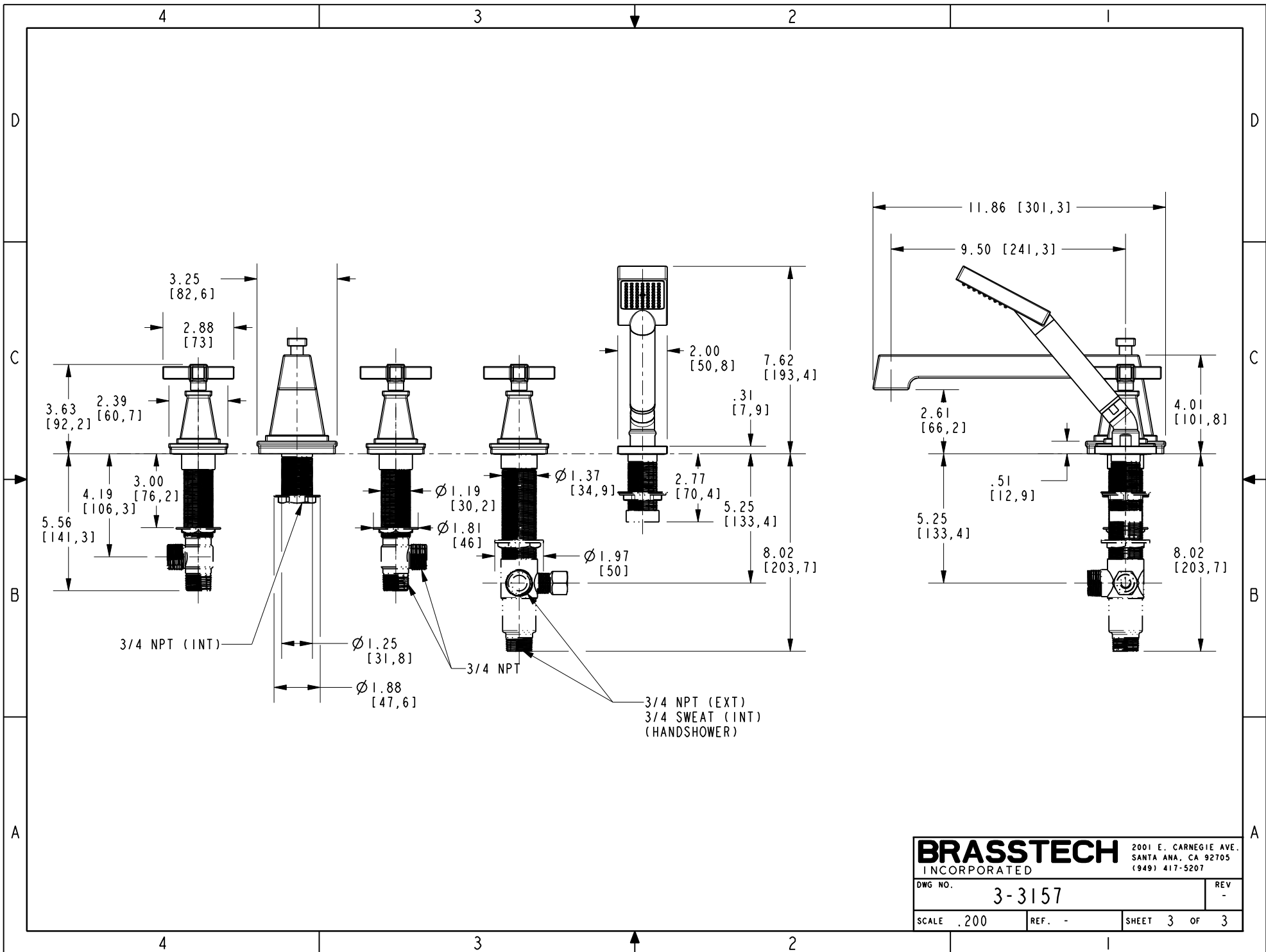
1



PN# 1-666
SOLD SEPARATELY

SCALE .150

BRASSTECH		2001 E. CARNEGIE AVE.	
INCORPORATED		SANTA ANA, CA 92705	
DWG NO. 3-3157		REV -	
SCALE .225	REF. -	SHEET 2 OF 3	



BRASSTECH		2001 E. CARNEGIE AVE. SANTA ANA, CA 92705 (949) 417-5207	
DWG NO.	3-3157	REV	-
SCALE	.200	REF.	-
SHEET 3		OF 3	