

4

3

2

1

NOTES:

(N1) 1. FIT / FORM / FUNCTION SHALL FOLLOW PS-E.008.

BILL OF MATERIAL (CURRENT LEVEL)

ITEM	PT/ASSY	DESCRIPTION	TYPE	QTY.
1	3-582	R/T SPOUT ASM	ASSEMBLY	1
2	3-581	CROSS HANDLE W/ESC.	ASSEMBLY	2

D

C

B

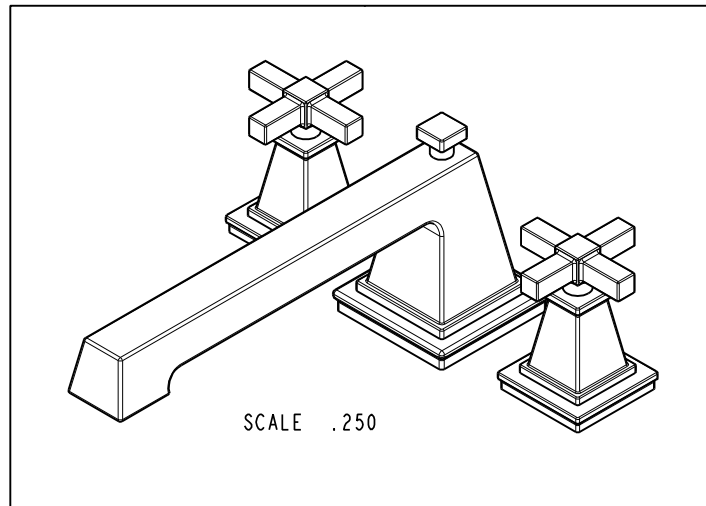
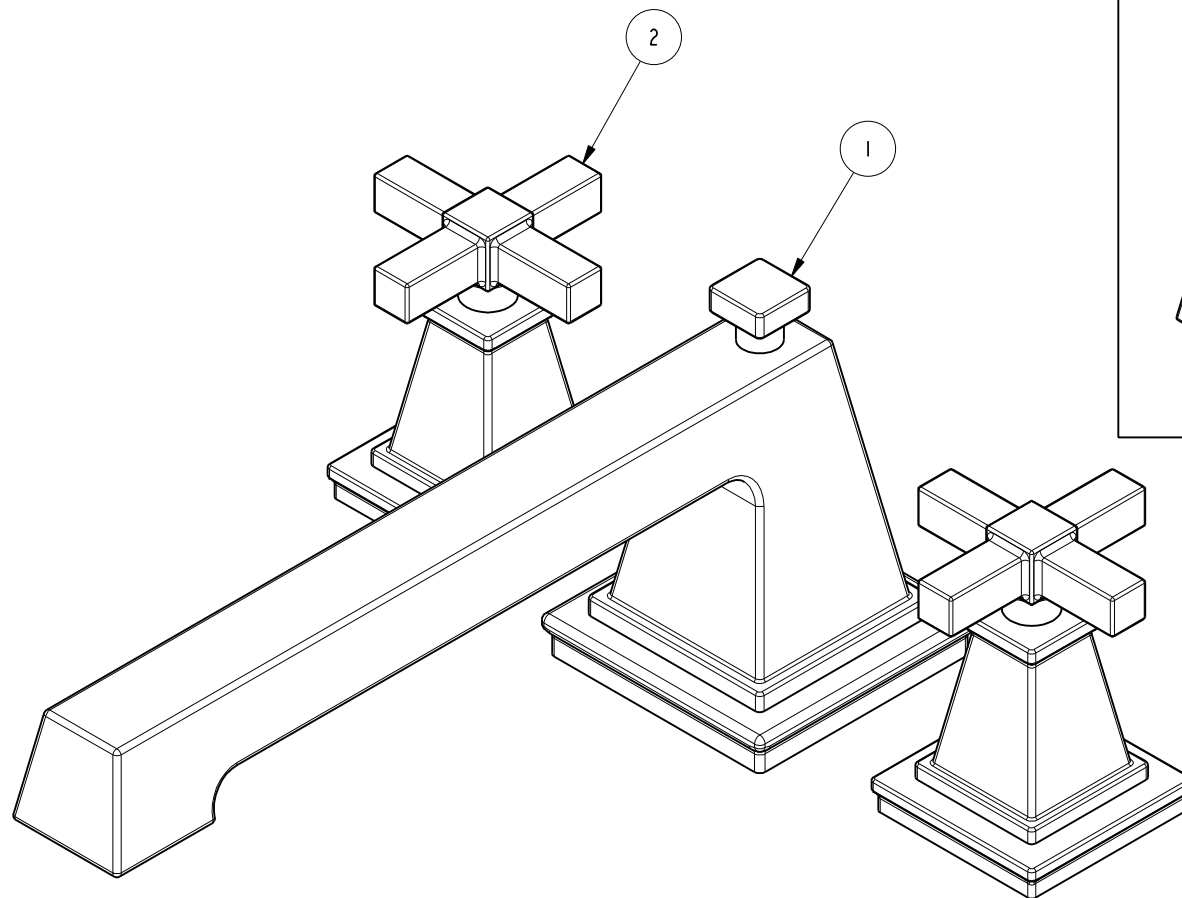
A

D

C

B

A



TESTING	-	-	-
ASSEMBLY	-	-	-
PLATING	-	-	-
POLISHING	-	NEXT ASSY	USED ON
MACHINING	-	APPLICATION	
TOOLING FIXTURE #		REMOVE ALL BURRS AND SHARP EDGES	

UNITS ARE: INCHES [MM]
 TOLERANCES ARE:
 FRACTIONS DECIMALS ANGLES
 $\pm 1/16"$.X $\pm .1$ [2.5] $\pm 1^\circ$
 .XX $\pm .06$ [1.5]

(X.XXX) DENOTES CRITICAL DIMS.
 ALL THREADS ARE CRITICAL

DRAWN	JINSON	08/09/16
CHECKED	RAVINDRA	08/09/16
APPROVED	J.M	08/09/16

COPYRIGHT 2005 BRASSTECH, INC.
 THESE DRAWINGS AND THE DESIGNS
 DEPICTED HEREIN ARE THE PROPRIETARY
 PROPERTY OF BRASSTECH. ANY USE
 OR REPRODUCTION IS SUBJECT TO
 THE EXPRESS APPROVAL OF BRASSTECH.
 UNAUTHORIZED USE IS STRICTLY
 PROHIBITED. ALL RIGHTS RESERVED.

-	-	EN-3061	08/09/16	J.M
ZONE	REV	DESCRIPTION	DATE	APPROVED

BRASSTECH 2001 CARNEGIE AVE.
 INCORPORATED SANTA ANA, CA 92705
 (949) 417-5207

ROMAN TUB FAUCET

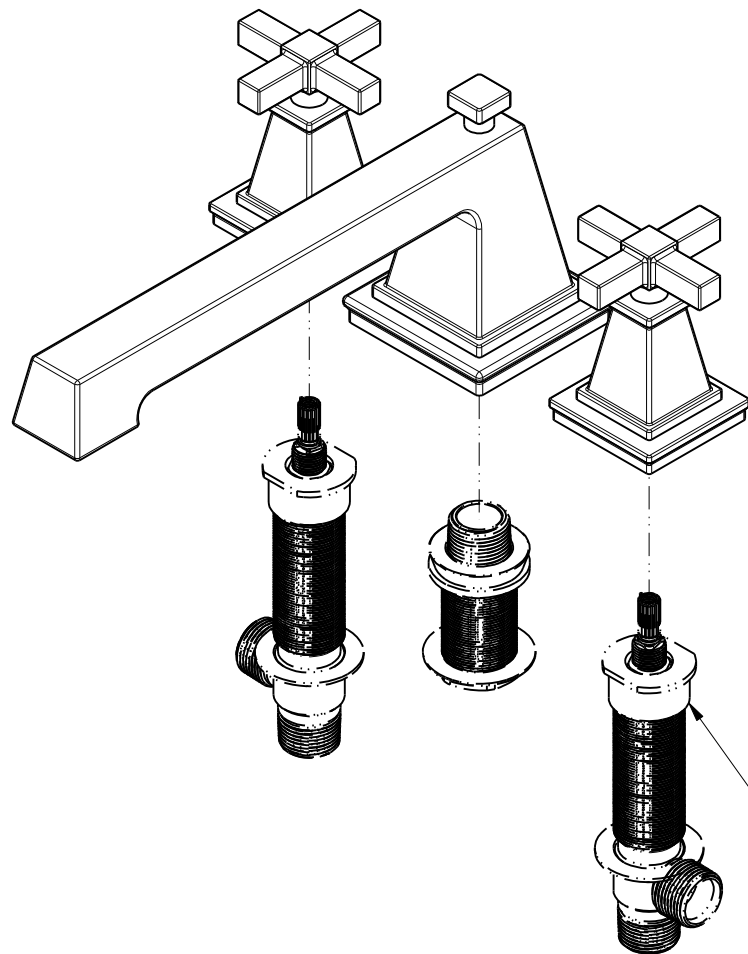
DWG NO.	3-3156	REV	-
SCALE	.500	REF.	-
SHEET	1	OF	3

4

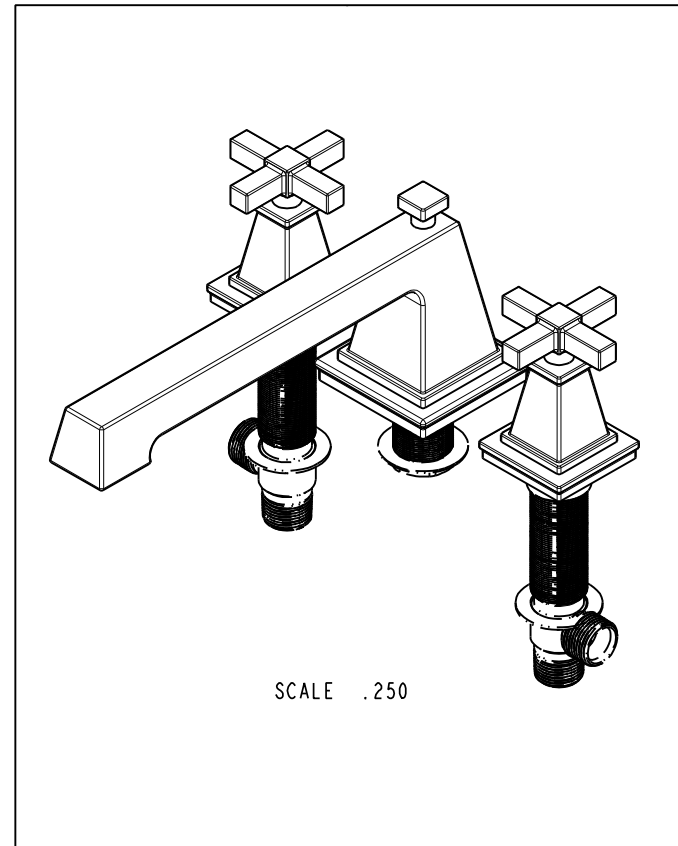
3

2

1

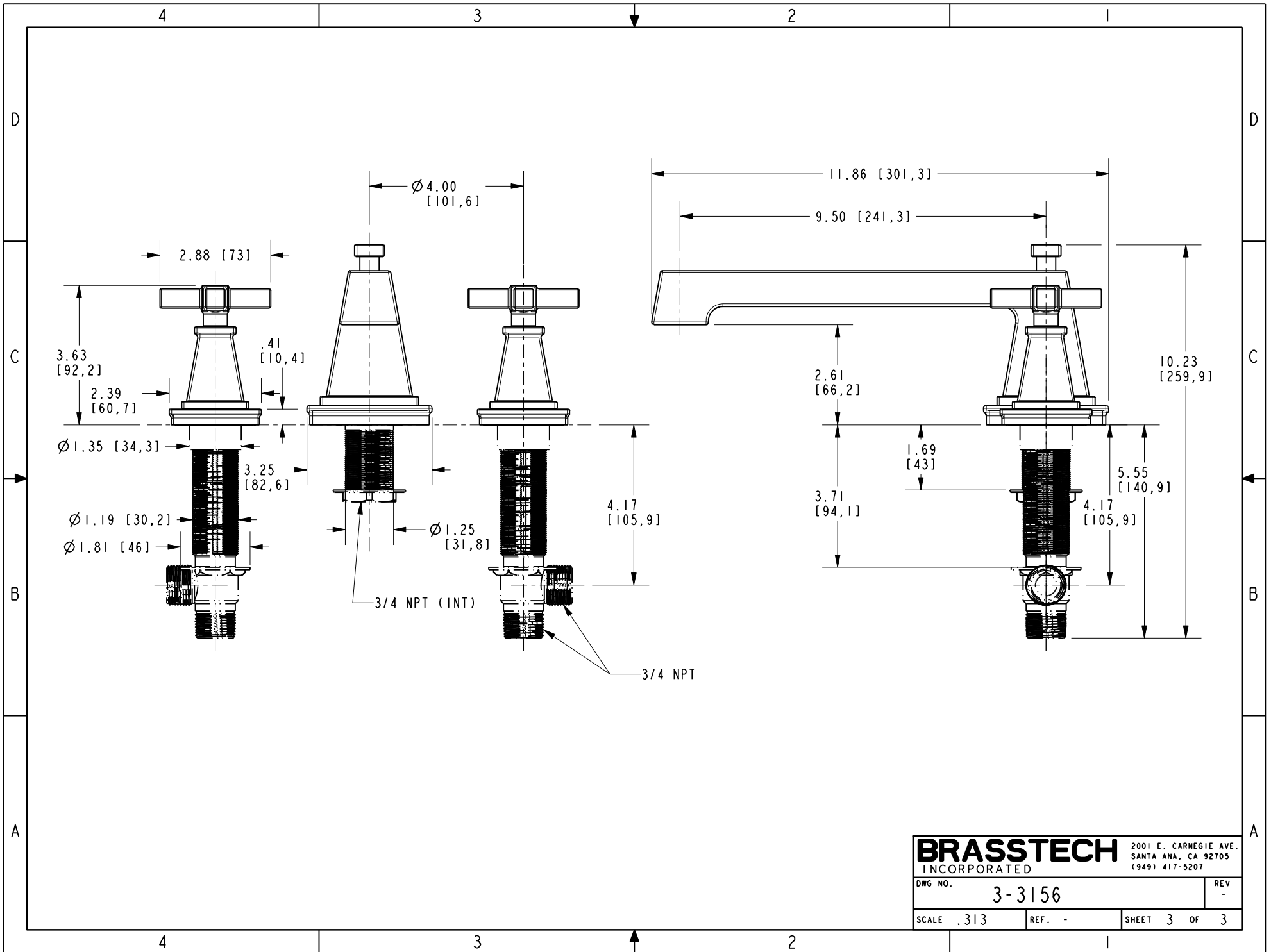


PN#1-665
SOLD SEPARATELY



SCALE .250

BRASSTECH		2001 E. CARNEGIE AVE.	
INCORPORATED		SANTA ANA, CA 92705	
DWG NO. 3-3156		REV -	
SCALE .313	REF. -	SHEET 2 OF 3	



BRASSTECH		2001 E. CARNEGIE AVE. SANTA ANA, CA 92705 (949) 417-5207	
DWG NO.	3-3156	REV	-
SCALE	.313	REF.	-
SHEET 3		OF 3	