

4

3

2

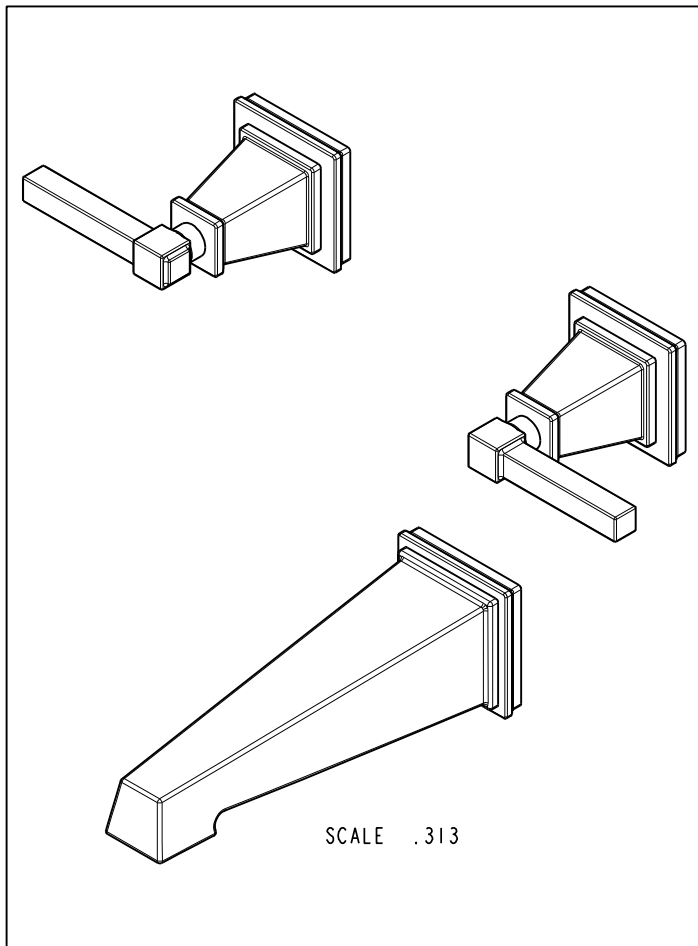
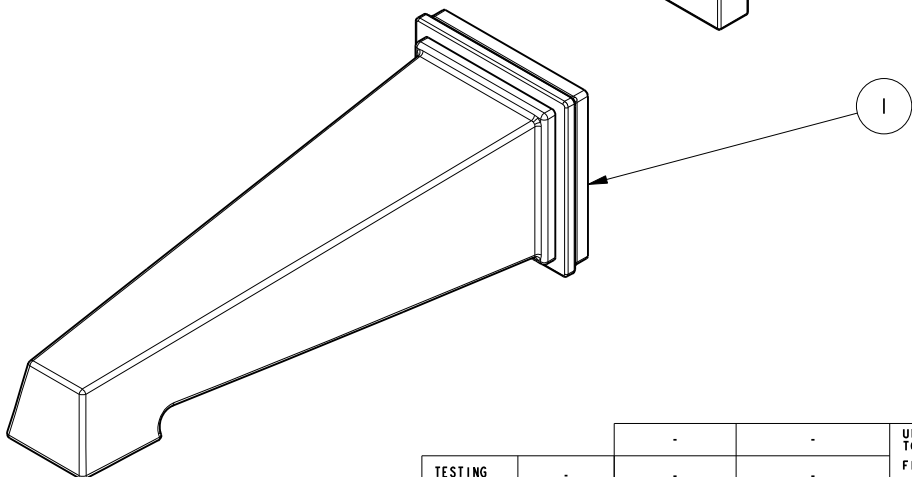
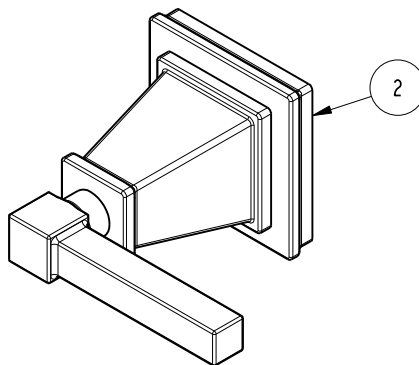
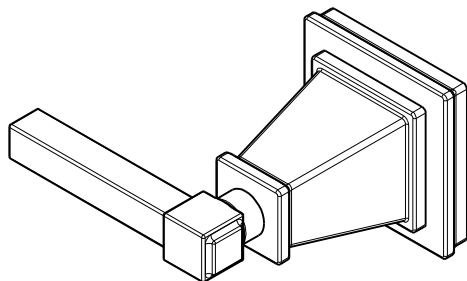
1

NOTES:

(N1) 1. FIT / FORM / FUNCTION SHALL FOLLOW PS-E.008.

BILL OF MATERIAL (CURRENT LEVEL)

ITEM	PT/ASSY	DESCRIPTION	TYPE	QTY.
1	3-583	WALL TUB SPOUT ASM	ASSEMBLY	1
2	3-580	LEVER HANDLE W/ESC.	ASSEMBLY	2



SCALE .313

UNITS ARE: INCHES [MM]  
 TOLERANCES ARE:  
 FRACTIONS DECIMALS ANGLES  
 $\pm 1/16"$   $.X \pm .1$  [2,5]  $\pm 1^\circ$   
 $.XX \pm .06$  [1,5]

(X.XXX) DENOTES CRITICAL DIMS.  
 ALL THREADS ARE CRITICAL

DRAWN JINSON 08/09/16  
 CHECKED RAVINDRA 08/09/16  
 APPROVED J.M. 08/09/16

**BRASSTECH** 2001 CARNEGIE AVE.  
 INCORPORATED SANTA ANA, CA 92705  
 (949) 417-5207

WALL MOUNT TUB FAUCET

DWG NO. 3-3145 REV -  
 SCALE .438 REF. - SHEET 1 OF 3

COPYRIGHT 2005 BRASSTECH, INC.  
 THESE DRAWINGS AND THE DESIGNS  
 DEPICTED HEREIN ARE THE PROPRIETARY  
 PROPERTY OF BRASSTECH. ANY USE  
 OR REPRODUCTION IS SUBJECT TO  
 THE EXPRESS APPROVAL OF BRASSTECH.  
 UNAUTHORIZED USE IS STRICTLY  
 PROHIBITED. ALL RIGHTS RESERVED.

ZONE	REV	DESCRIPTION	DATE	APPROVED
-	-	EN-3061	08/09/16	J.M

TESTING	ASSEMBLY	PLATING	POLISHING	MACHINING	TOOLING	FIXTURE #	APPLICATION
-	-	-	-	-	-	-	REMOVE ALL BURRS AND SHARP EDGES

D

C

B

A

D

C

B

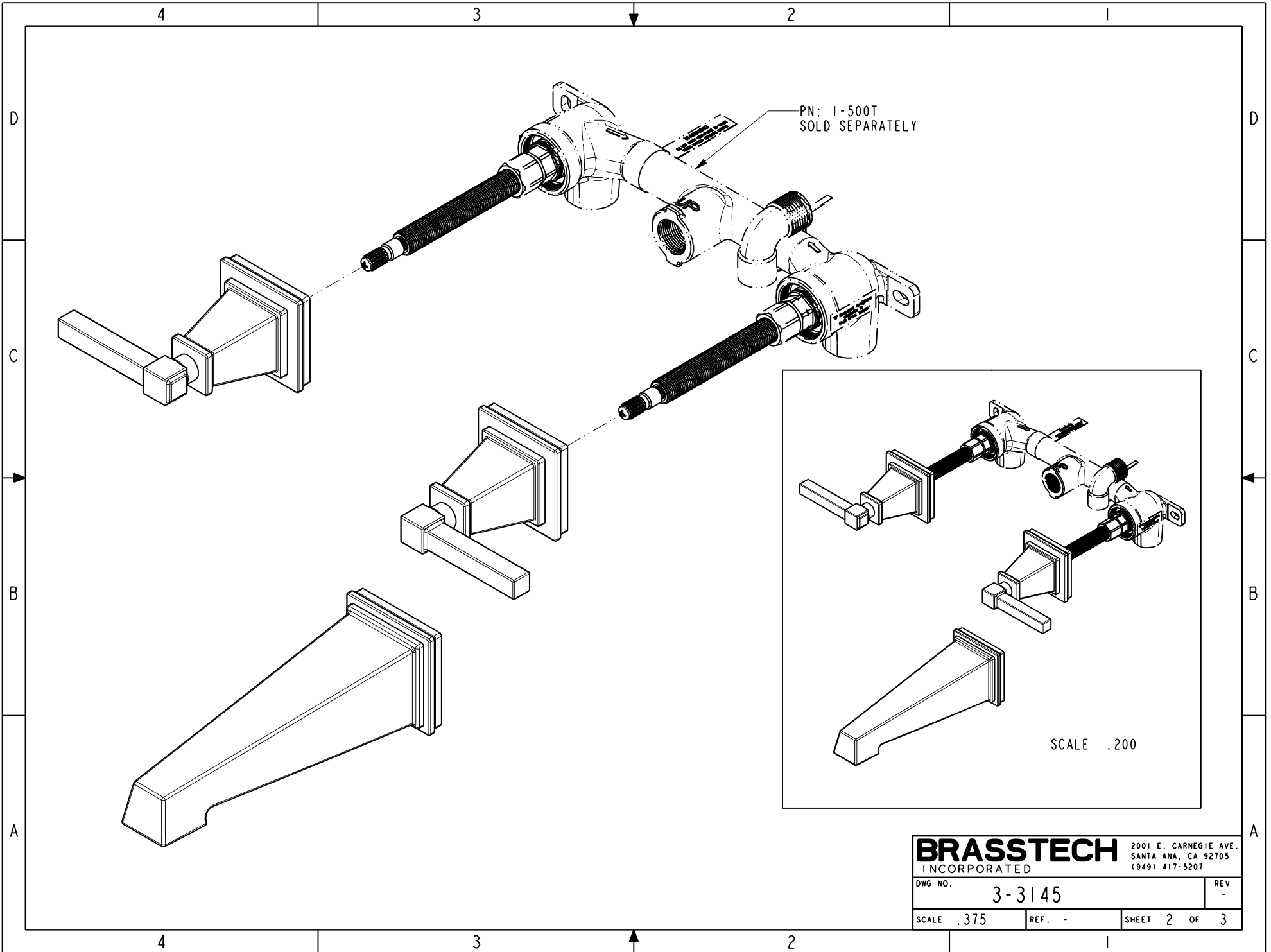
A

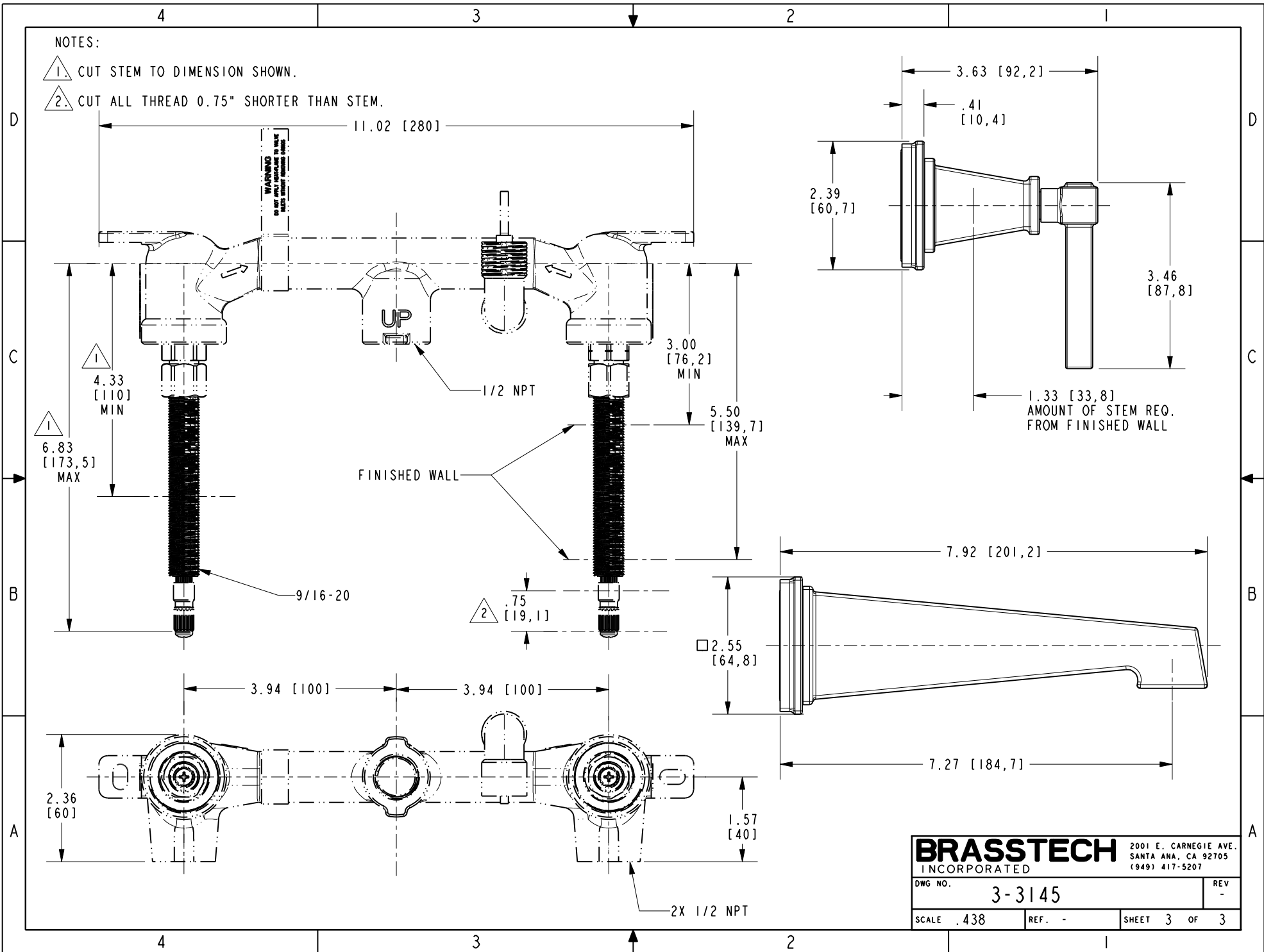
4

3

2

1





<b>BRASSTECH</b>		2001 E. CARNEGIE AVE.
INCORPORATED		SANTA ANA, CA 92705
		(949) 417-5207
DWG NO.	3-3145	REV -
SCALE .438	REF. -	SHEET 3 OF 3