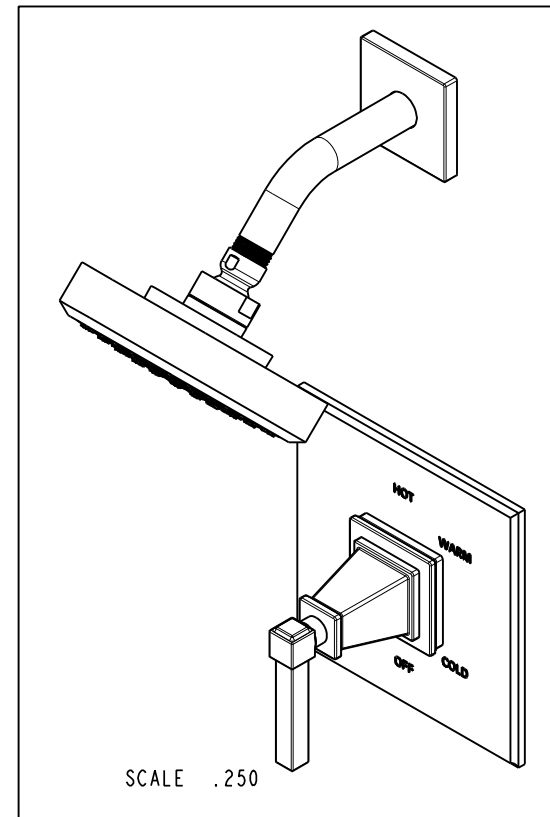


NOTES:

(N1) 1. FIT / FORM / FUNCTION SHALL FOLLOW PS-E.008.

BILL OF MATERIAL (CURRENT LEVEL)

ITEM	PT/ASSY	DESCRIPTION	TYPE	QTY.
1	2-293	COVERPLATE BP	ASSEMBLY	1
2	2-640	FLANGE ASSEMBLY	ASSEMBLY	1
3	200	SHOWER ARM 6" BRASS	PART	1
4	2141	CONTEMP. SHOWER HEAD - SINGLE JET	ASSEMBLY	1
5	3-580	LEVER HANDLE W/ESC.	ASSEMBLY	1



COPYRIGHT 2005 BRASSTECH, INC. THESE DRAWINGS AND THE DESIGNS DEPICTED HEREIN ARE THE PROPRIETARY PROPERTY OF BRASSTECH. ANY USE OR REPRODUCTION IS SUBJECT TO THE EXPRESS APPROVAL OF BRASSTECH. UNAUTHORIZED USE IS STRICTLY PROHIBITED. ALL RIGHTS RESERVED.

UNITS ARE: INCHES [MM]
TOLERANCES ARE:
FRACTIONS DECIMALS ANGLES
±1/16" .X ±.1 [2.5] ±1°
.XX ±.06 [1.5]

(X.XXX) DENOTES CRITICAL DIMS.
ALL THREADS ARE CRITICAL

DRAWN JINSON 08/11/16
CHECKED RAVINDRA 08/11/16
APPROVED J.M. 08/11/16

	TESTING	ASSEMBLY	PLATING	POLISHING	MACHINING	TOOLING	FIXTURE #	APPLICATION
	-	-	-	-	-			REMOVE ALL BURRS AND SHARP EDGES

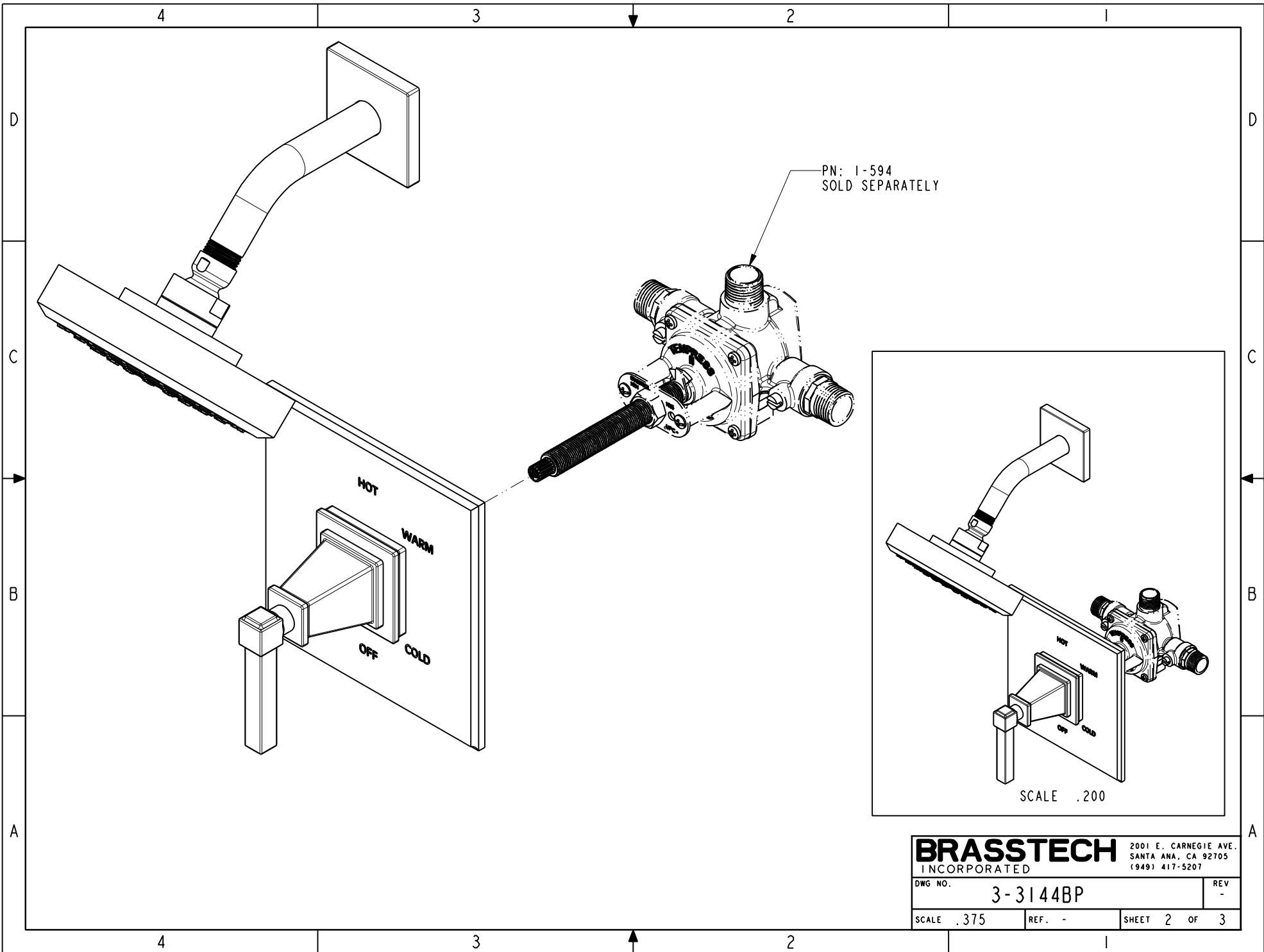
BRASSTECH 2001 CARNEGIE AVE. SANTA ANA, CA 92705 (949) 417-5207
INCORPORATED

BP SHOWER TRIM SET

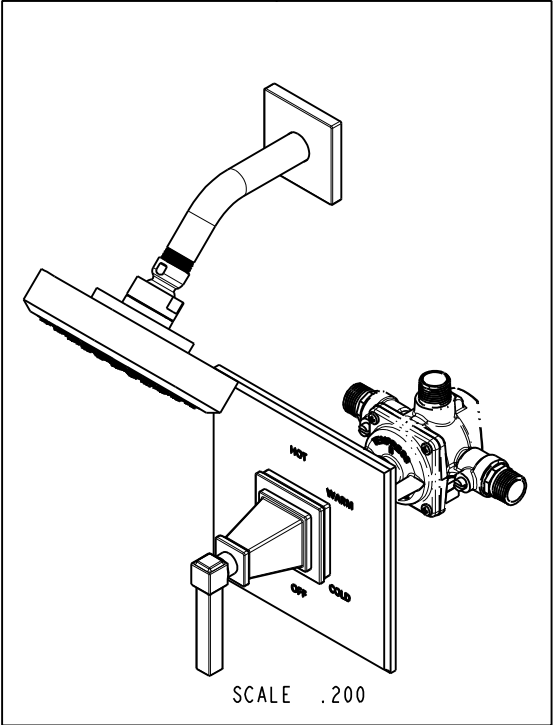
DWG NO. **3-3144BP** REV -

SCALE .325 REF. - SHEET 1 OF 3

ZONE	REV	DESCRIPTION	DATE	APPROVED
-	-	EN-3061	08/11/16	J.M



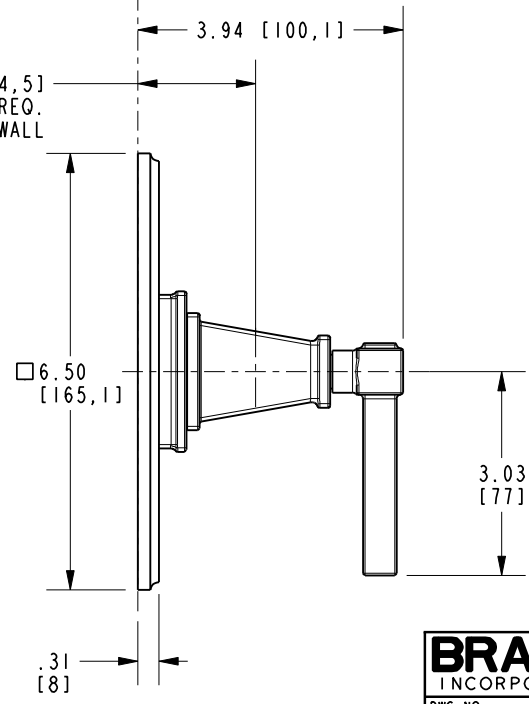
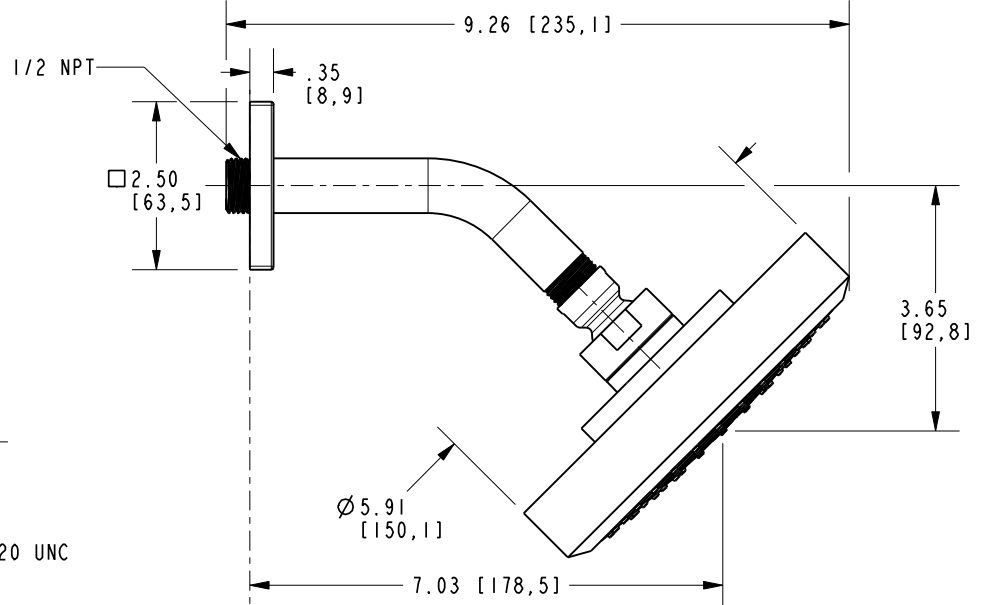
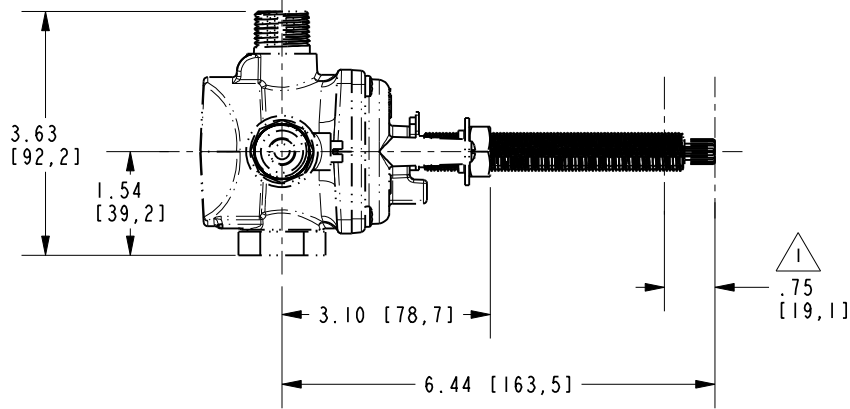
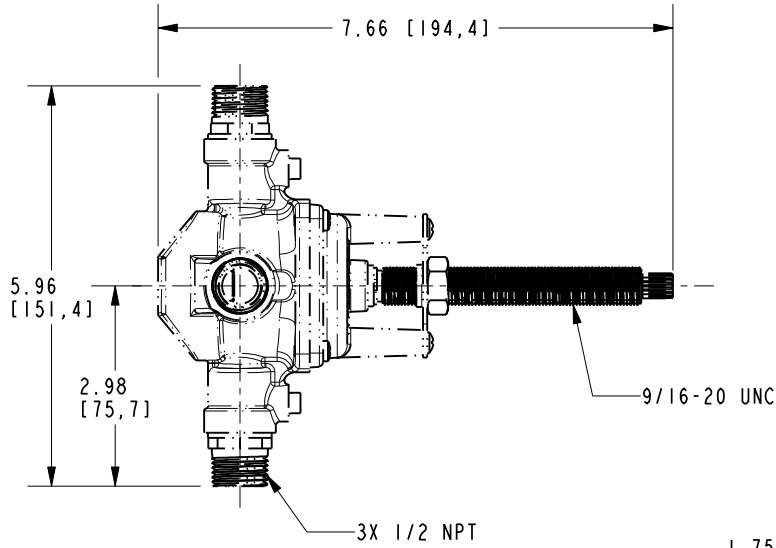
PN: 1-594
SOLD SEPARATELY



BRASSTECH		2001 E. CARNEGIE AVE.	
INCORPORATED		SANTA ANA, CA 92705	
DWG NO. 3-3144BP		REV -	
SCALE .375	REF. -	SHEET 2 OF 3	

NOTES:

1. CUT ALL-THREAD .75" SHORTER THAN STEM.



BRASSTECH		2001 E. CARNEGIE AVE.	
INCORPORATED		SANTA ANA, CA 92705	
DWG NO. 3-3144BP		REV -	
SCALE .350	REF. -	SHEET 3 OF 3	