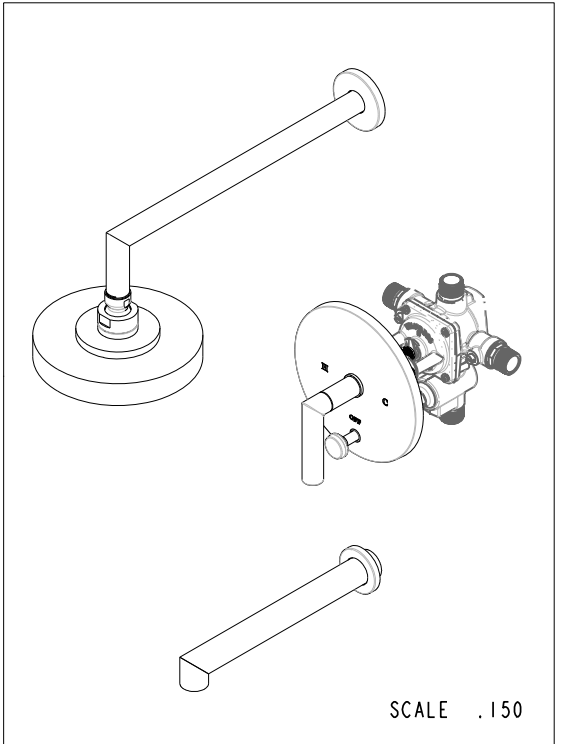


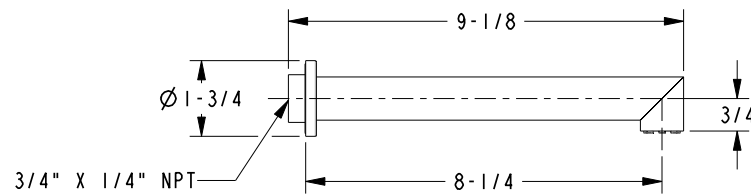
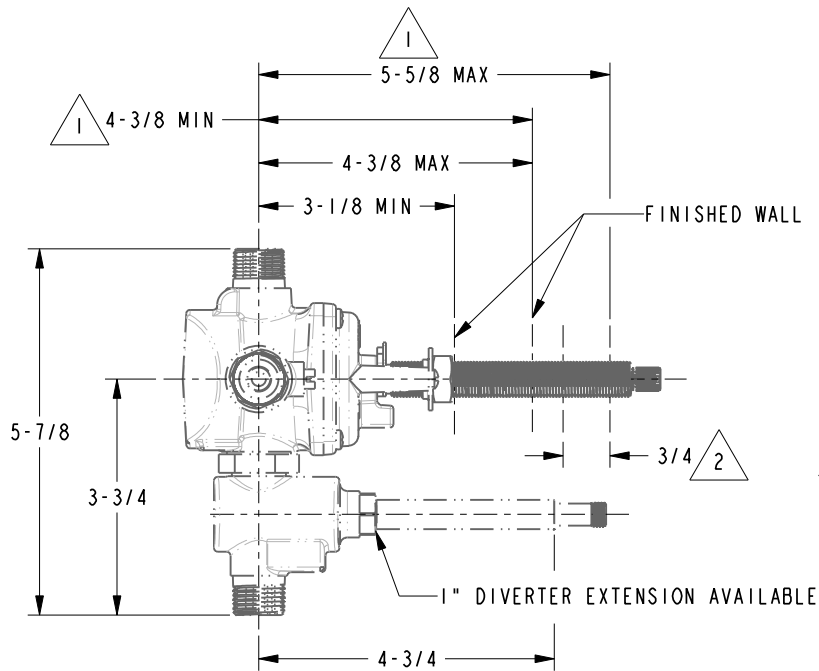
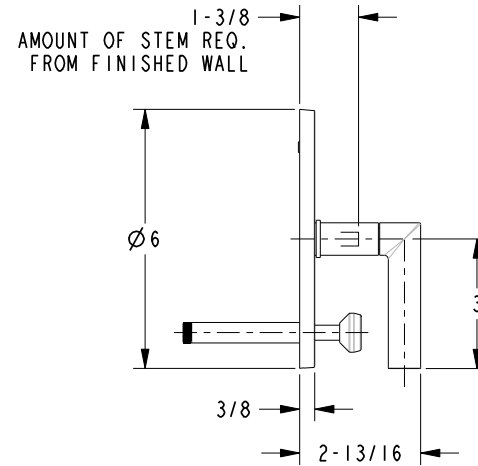
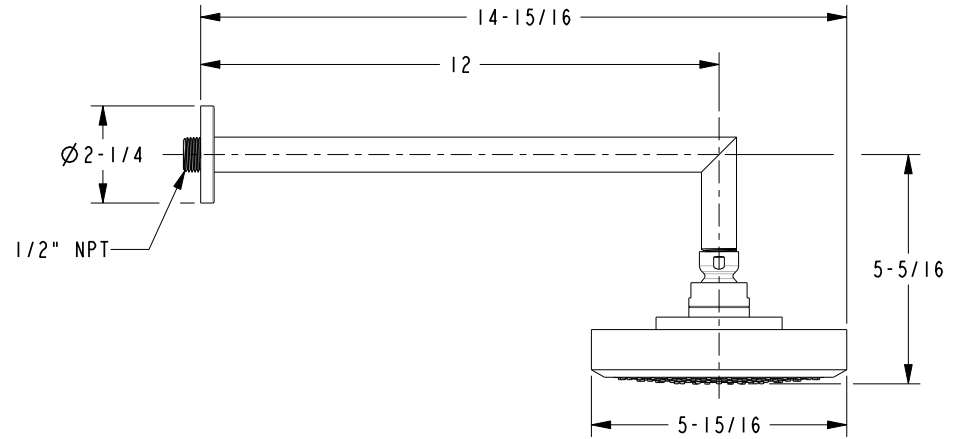
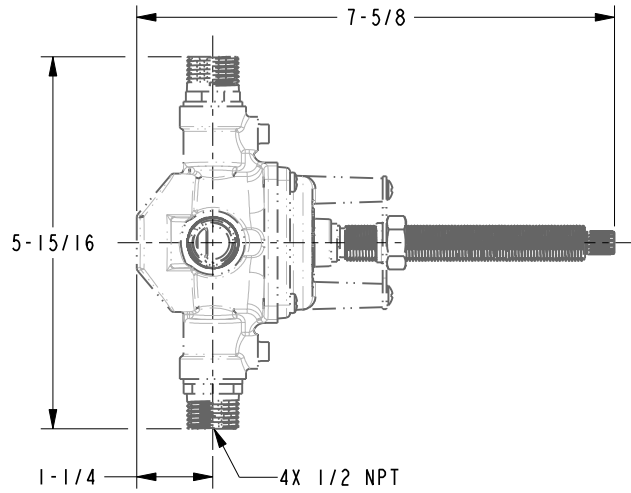
PN: 1-595  
SOLD SEPARATELY



<b>BRASSTECH</b>		2001 E. CARNEGIE AVE.	
INCORPORATED		SANTA ANA, CA 92705	
		(949) 417-5207	
DWG NO.	3-3122BP	REV	A
SCALE .250	REF. -	SHEET 2	OF 3

NOTES:

- 1. CUT STEM TO DIMENSION SHOWN.
- 2. CUT ALL-THREAD 3/4" SHORTER THAN STEM.



<b>BRASSTECH</b>		2001 E. CARNEGIE AVE. SANTA ANA, CA 92705 (949) 417-5207	
DWG NO.	3-3122BP		REV A
SCALE	.250	REF.	-
SHEET		3	OF 3