

4

3

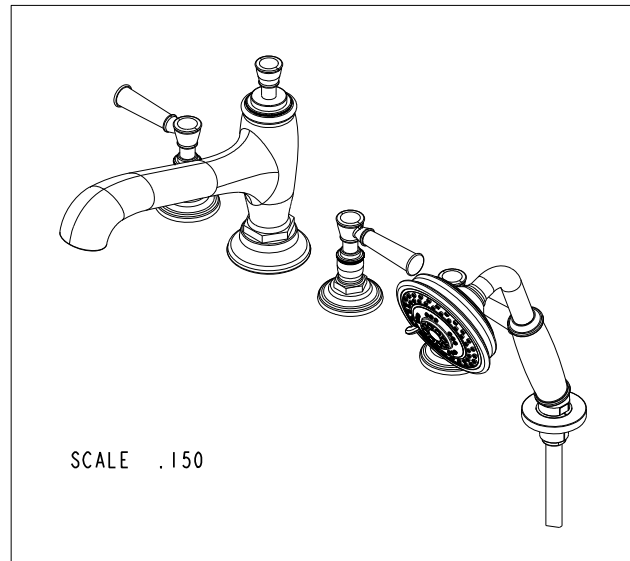
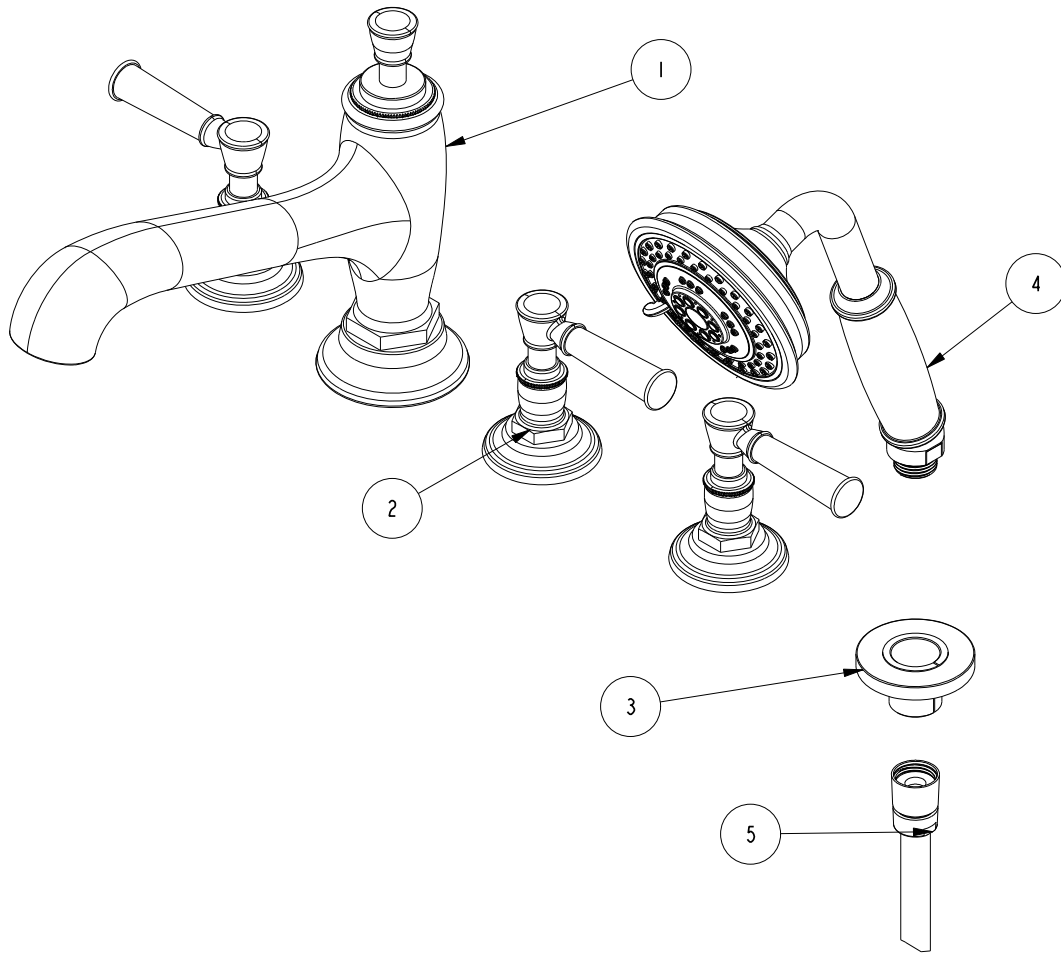
2

NOTES:

(N1) 1. FIT / FORM / FUNCTION SHALL FOLLOW PS-E.008.

BILL OF MATERIAL (CURRENT LEVEL)

ITEM	PT/ASSY	DESCRIPTION	TYPE	QTY.
1	20-128	R/T SPOUT ASM	ASSEMBLY	1
2	3-561	LEVER HANDLE W/ESC.	ASSEMBLY	3
3	6-289-11	DECK FLANGE TRIM	ASSEMBLY	1
4	281-1	HAND SHOWER - TRADITIONAL	ASSEMBLY	1
5	284	59 IN. SPIRAL SHOWER HOSE	ASSEMBLY	1



TESTING	-	-	-
ASSEMBLY	-	-	-
PLATING	-	-	-
POLISHING	-	NEXT ASSY	USED ON
MACHINING	-	APPLICATION	
TOOLING	FIXTURE #	REMOVE ALL BURRS AND SHARP EDGES	

UNITS ARE: INCHES [MM]
 TOLERANCES ARE:
 FRACTIONS DECIMALS ANGLES
 $\pm 1/16"$.X $\pm .1$ [2.5] $\pm 1^\circ$
 .XX $\pm .06$ [1.5]
 (X.XXX) DENOTES CRITICAL DIMS.
 ALL THREADS ARE CRITICAL

DRAWN RK PA1 05/15/15
 CHECKED JINSON 05/15/15
 APPROVED RAVINDRA 05/15/15

BRASSTECH 2001 CARNEGIE AVE.
 INCORPORATED SANTA ANA, CA 92705
 (949) 417-5207

ROMAN TUB ASSEMBLY

DWG NO. 3-2917 REV B

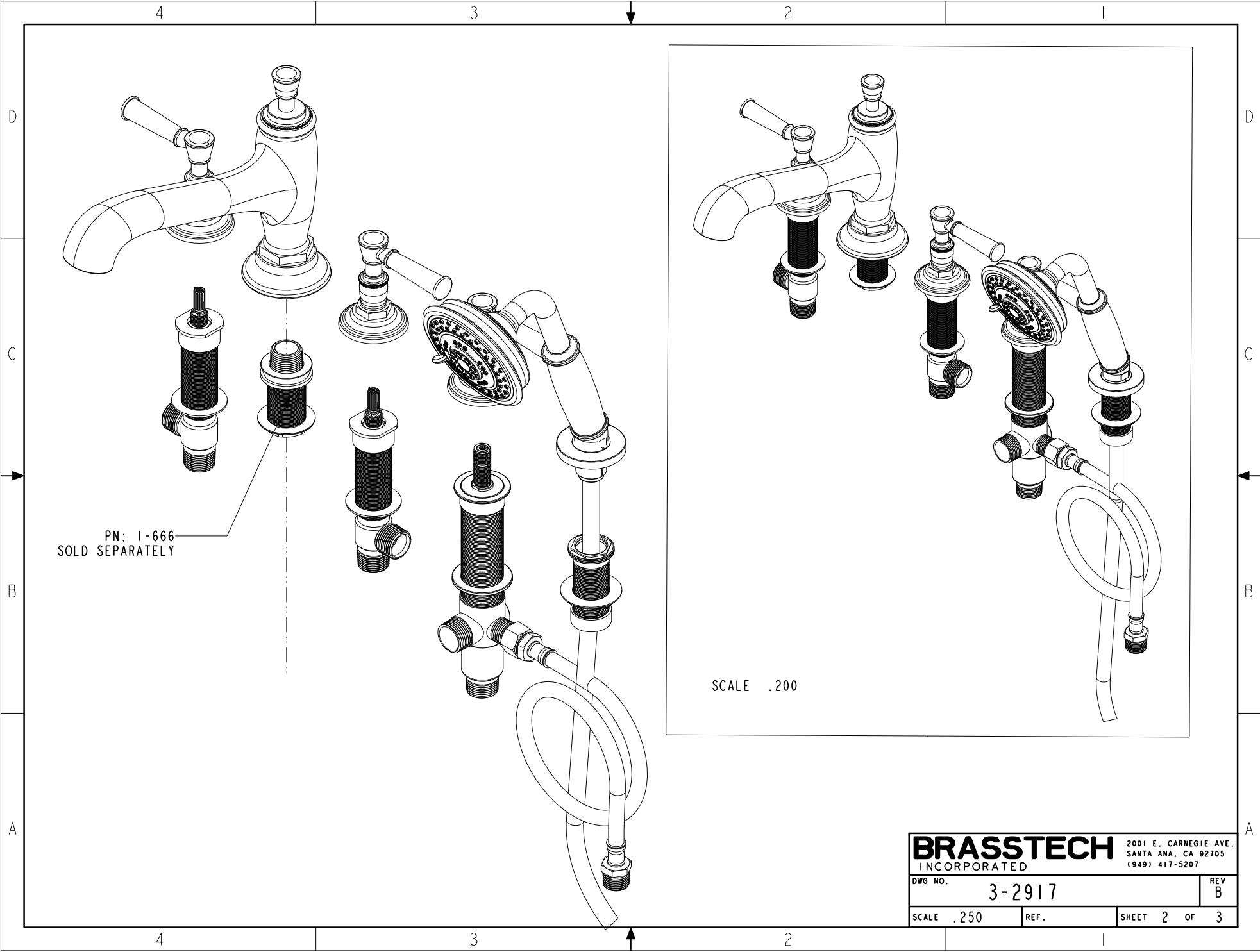
SCALE .275 REF. SHEET 1 OF 3

-	B	EN-3102	07/26/16	J.M	COPYRIGHT 2005 BRASSTECH, INC. THESE DRAWINGS AND THE DESIGNS DEPICTED HEREIN ARE THE PROPRIETARY PROPERTY OF BRASSTECH. ANY USE OR REPRODUCTION IS SUBJECT TO THE EXPRESS APPROVAL OF BRASSTECH. UNAUTHORIZED USE IS STRICTLY PROHIBITED. ALL RIGHTS RESERVED.
-	A	EN-3082	06/21/16	J.M	
-	-	EN-2838c	08/10/15	J.M	
ZONE	REV	DESCRIPTION	DATE	APPROVED	

4

3

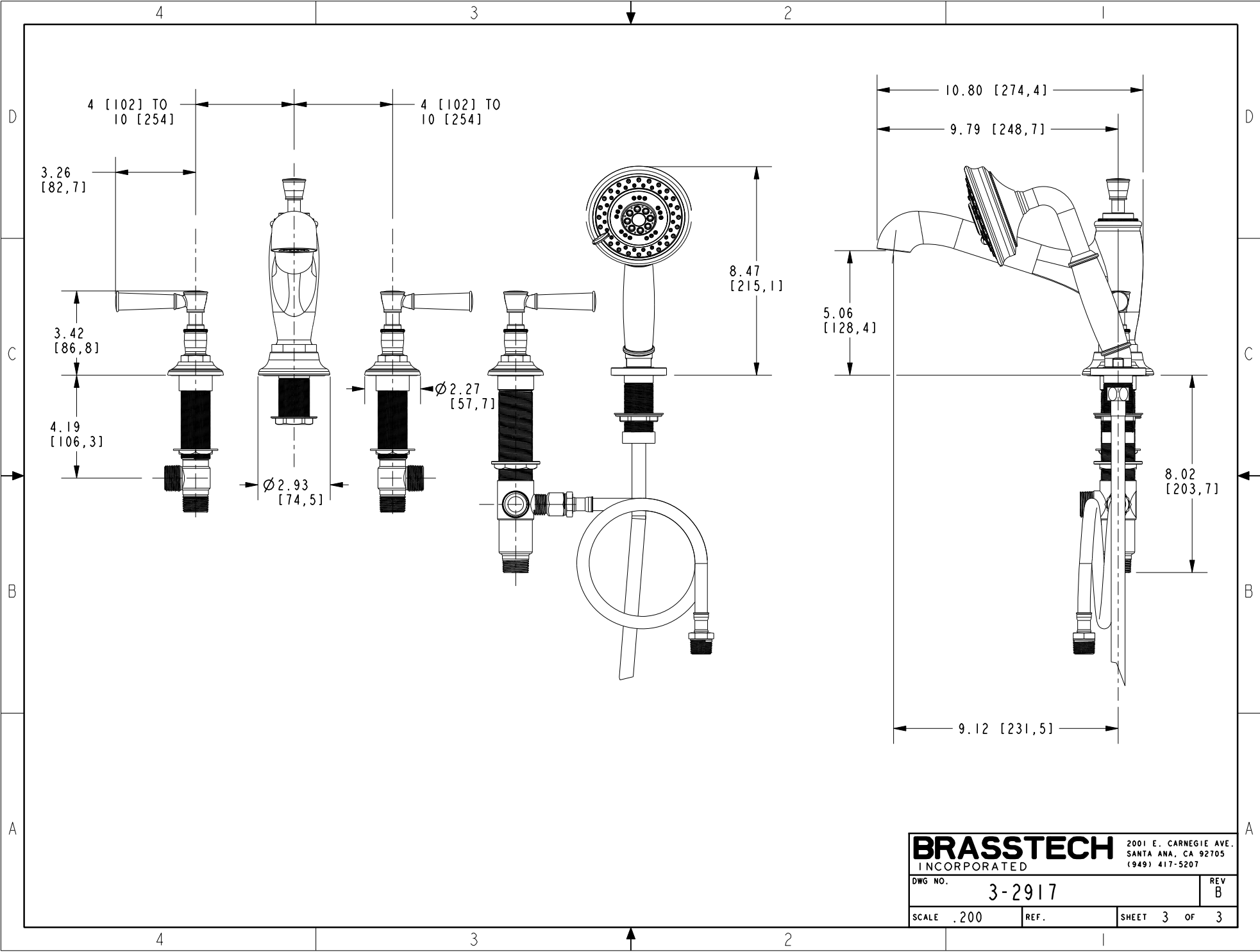
2



PN: 1-666
SOLD SEPARATELY

SCALE .200

BRASSTECH		2001 E. CARNEGIE AVE.	
INCORPORATED		SANTA ANA, CA 92705	
DWG NO. 3-2917		REV B	
SCALE .250	REF.	SHEET 2	OF 3



BRASSTECH		2001 E. CARNEGIE AVE.
INCORPORATED		SANTA ANA, CA 92705
		(949) 417-5207
DWG NO.	3-2917	REV B
SCALE .200	REF.	SHEET 3 OF 3