

4

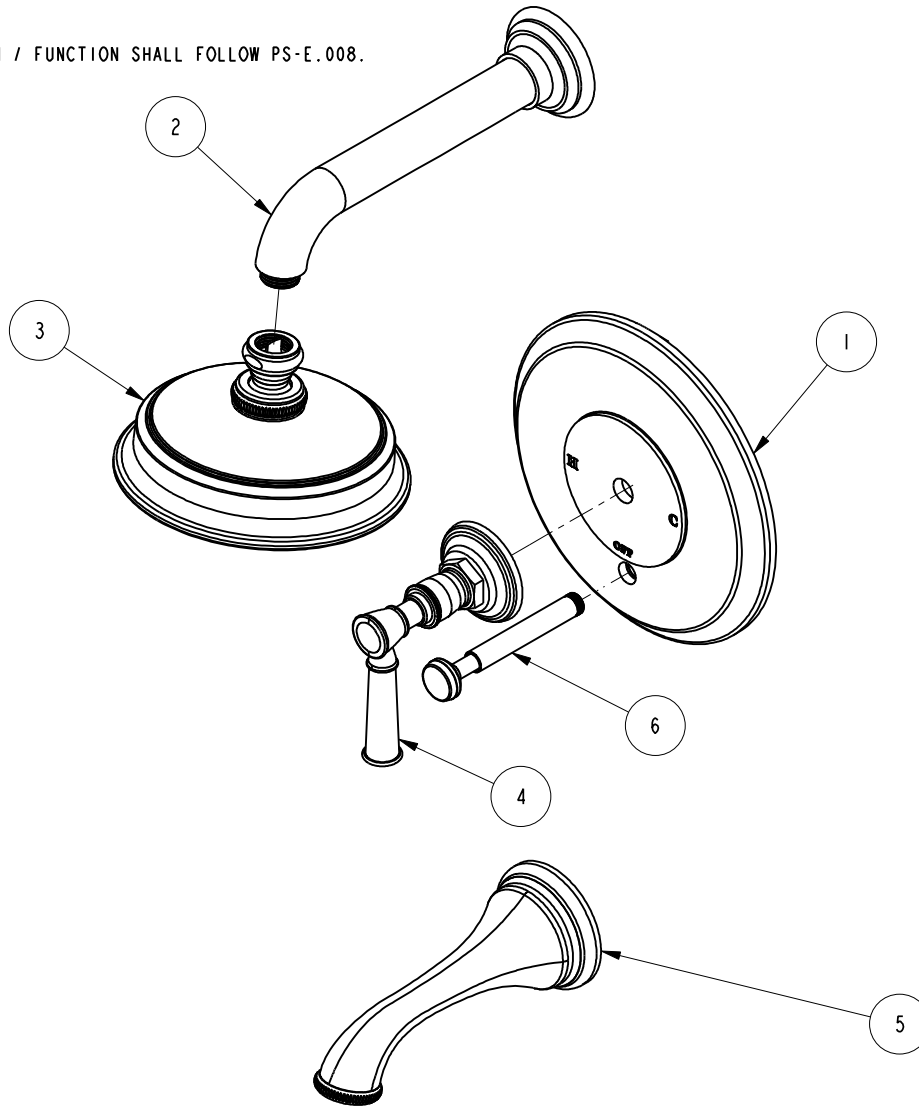
3

2

1

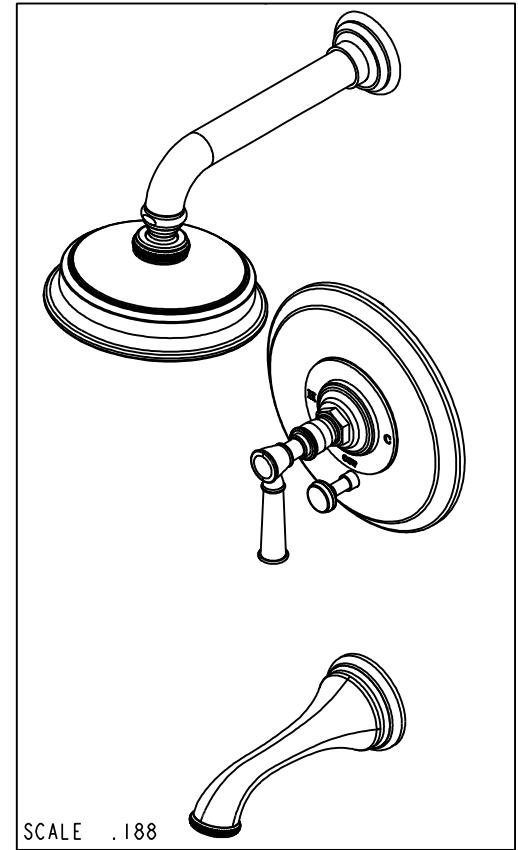
NOTES:

(N1) 1. FIT / FORM / FUNCTION SHALL FOLLOW PS-E.008.



BILL OF MATERIAL (CURRENT LEVEL)

ITEM	PT/ASSY	DESCRIPTION	TYPE	QTY.
1	2-659	TUB/SHOWER PLATE	ASSEMBLY	1
2	201-1	SHOWER ARM	ASSEMBLY	1
3	2142	TRAD. SHOWER HEAD - SINGLE JET	ASSEMBLY	1
4	3-561	LEVER HANDLE W/ESC.	ASSEMBLY	1
5	20-131	WALL MOUNT TUB SPOUT	ASSEMBLY	1
6	2-217	DIVERTER TRIM KIT	ASSEMBLY	1



D

D

C

C

B

B

A

A

COPYRIGHT 2005 BRASSTECH, INC. THESE DRAWINGS AND THE DESIGNS DEPICTED HEREIN ARE THE PROPRIETARY PROPERTY OF BRASSTECH. ANY USE OR REPRODUCTION IS SUBJECT TO THE EXPRESS APPROVAL OF BRASSTECH. UNAUTHORIZED USE IS STRICTLY PROHIBITED. ALL RIGHTS RESERVED.

TESTING	-	-	-
ASSEMBLY	-	-	-
PLATING	-	-	-
POLISHING	-	NEXT ASSY	USED ON
MACHINING	-	APPLICATION	
TOOLING FIXTURE #	REMOVE ALL BURRS AND SHARP EDGES		

UNITS ARE: INCHES [MM]	
TOLERANCES ARE:	
FRACTIONS	DECIMALS
±1/16"	.X ±.1 [2.5]
	.XX ±.06 [1.5]
(X.XXX) DENOTES CRITICAL DIMS. ALL THREADS ARE CRITICAL	
DRAWN	RAVINDRA 08/10/15
CHECKED	JINSON 08/10/15
APPROVED	J.M 08/10/15

**BRASSTECH** 2001 CARNEGIE AVE. SANTA ANA, CA 92705 (949) 417-5207  
INCORPORATED

**B/P SHOWER TRIM KIT**

DWG NO. **3-2912BP** REV -

SCALE .250 REF. - SHEET 1 OF 3

-	-	EN-2838c	08/10/15	J.M
ZONE	REV	DESCRIPTION	DATE	APPROVED

4

3

2

1

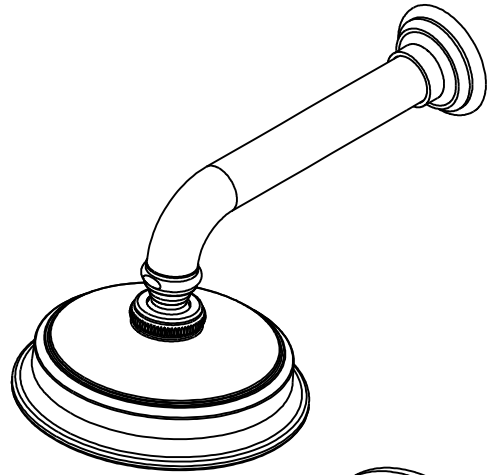
4

3

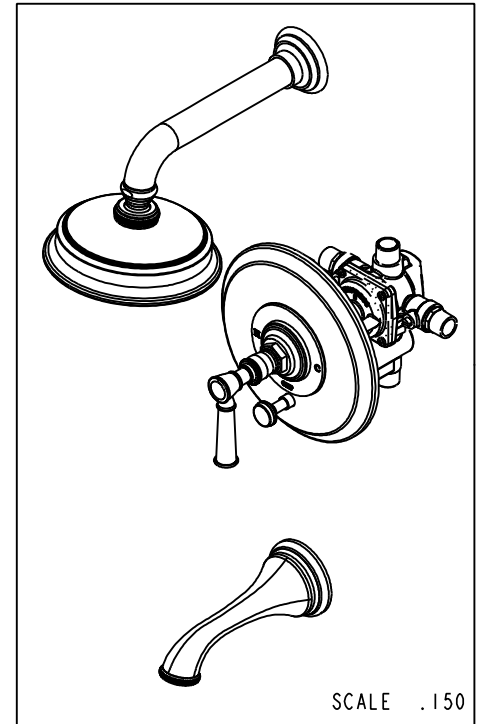
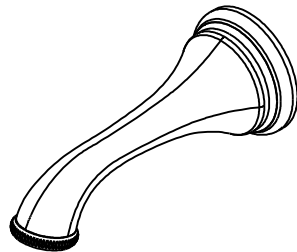
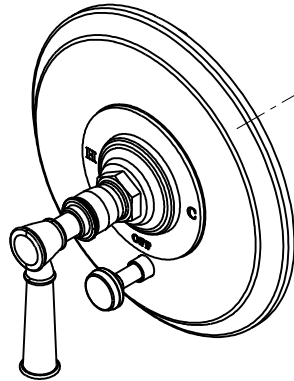
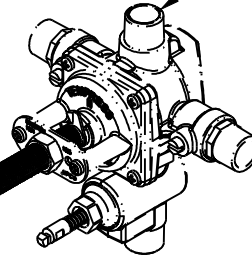
2

D

D



PN 1-595  
SOLD SEPARATELY



SCALE .150

C

C

B

B

B

B

A

A

4

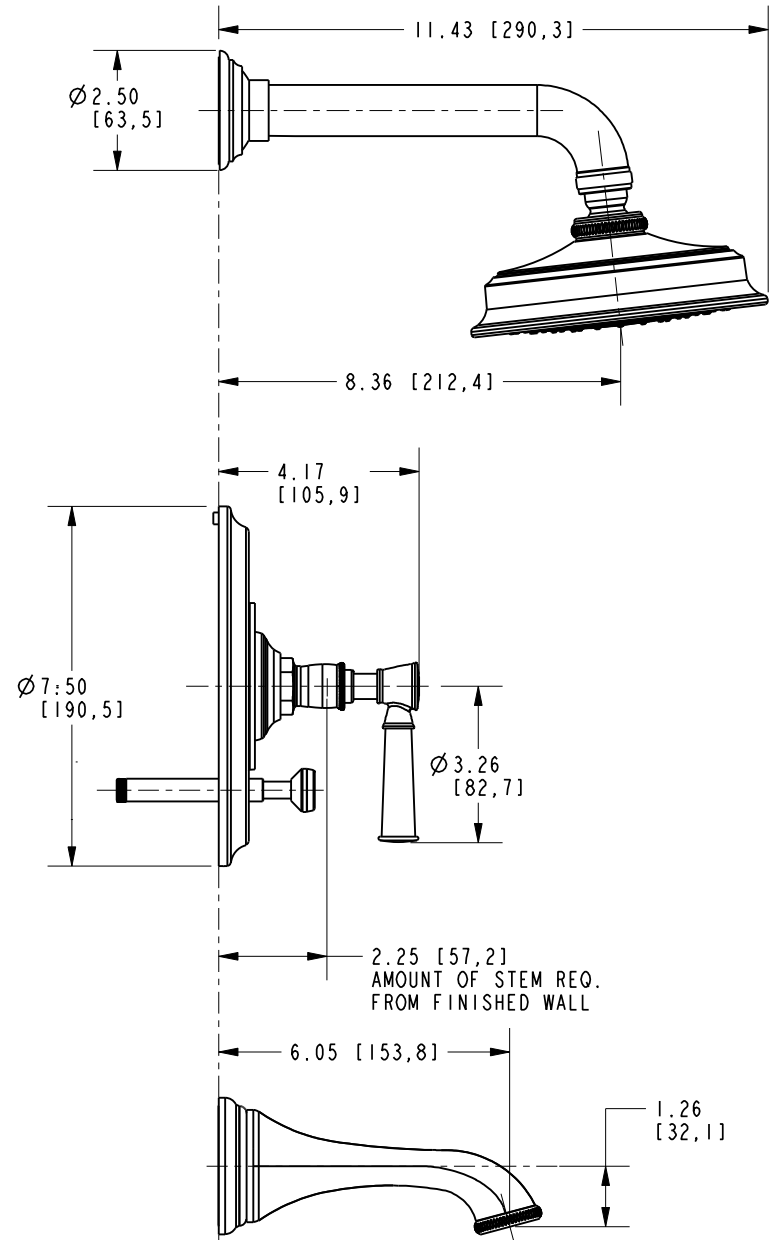
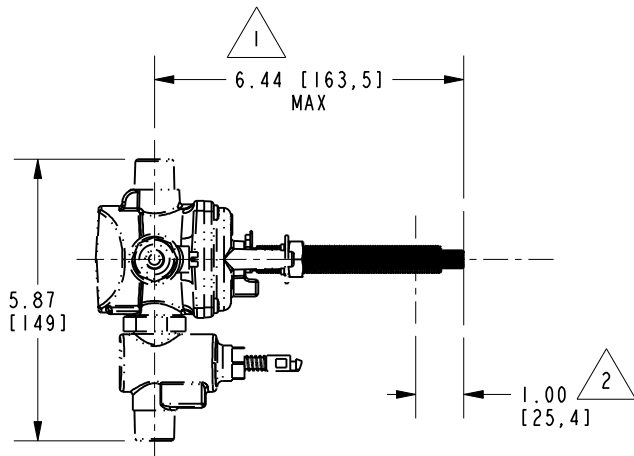
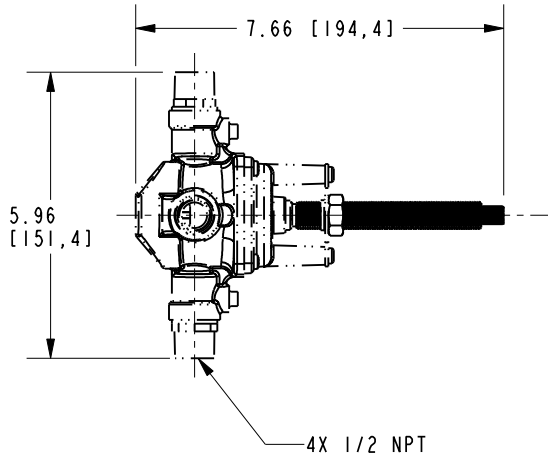
3

2

<b>BRASSTECH</b>		2001 E. CARNEGIE AVE.	
INCORPORATED		SANTA ANA, CA 92705	
		(949) 417-5207	
DWG NO.	3-2912BP		REV
			=
SCALE .250	REF. -	SHEET 2	OF 3

NOTE:

- 1. CUT STEM TO DIMENSION SHOWN
- 2. CUT ALL THREADS 1" SHORTER THAN STEM



**BRASSTECH** 2001 E. CARNEGIE AVE.  
INCORPORATED SANTA ANA, CA 92705  
(949) 417-5207

DWG NO.	3-2912BP	REV	=
SCALE	.250	REF.	-
SHEET 3		OF 3	