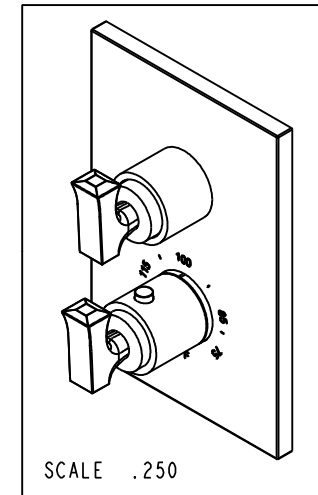
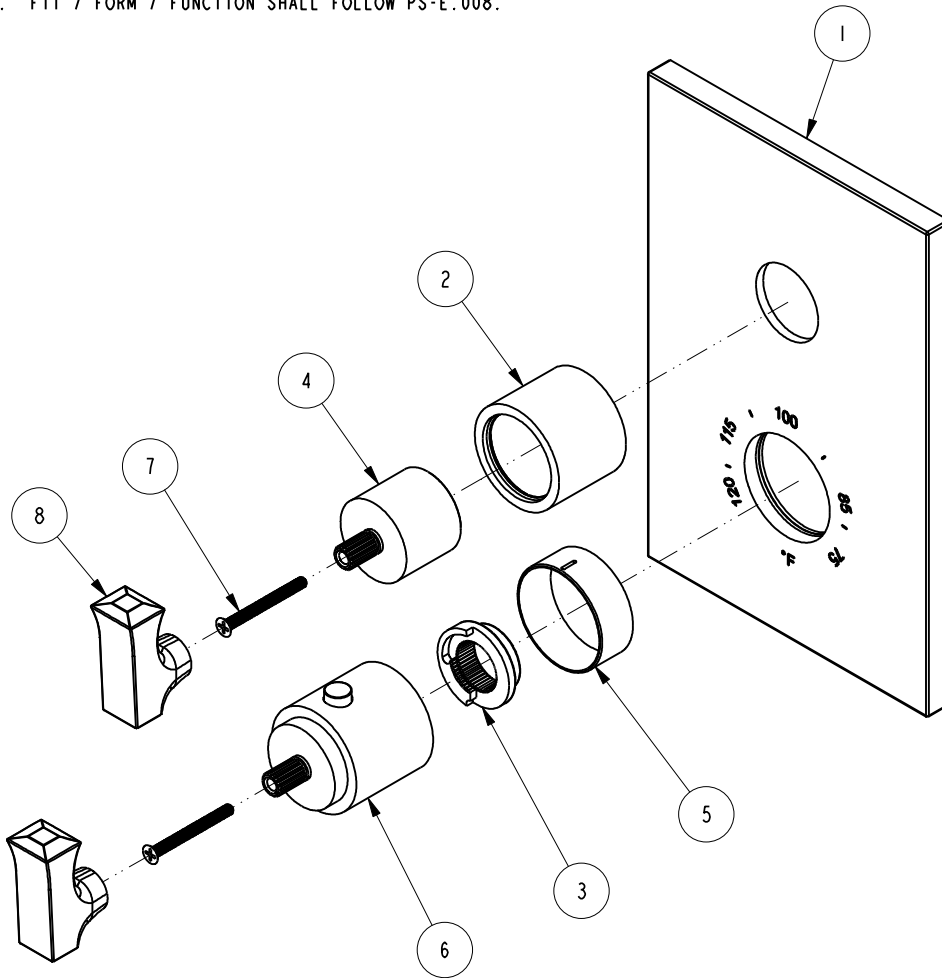


NOTES:

(NI) 1. FIT / FORM / FUNCTION SHALL FOLLOW PS-E.008.

BILL OF MATERIAL (CURRENT LEVEL)

ITEM	PT/ASSY	DESCRIPTION	TYPE	QTY.
1	2-999	TUB AND SHOWER PLATE ASM	ASSEMBLY	1
2	2-996	THREADED COLLAR ASM	ASSEMBLY	1
3	91308	TEMP LIMIT STOP - THERMO	PART	1
4	12348	HANDLE BONNET- CONT	PART	1
5	12345	SLEEVE - THERMO	PART	1
6	2-998	THERMO BONNET ASM	ASSEMBLY	1
7	92113	SCRW, M4 X .7 X 40 PHL FLT HD SS	PART	2
8	20-133	LEVER HANDLE ASM	ASSEMBLY	2



ZONE	REV	DESCRIPTION	DATE	APPROVED
-	A	EN-3236	01/17/17	R.S
-	-	EN-2775f	09/01/15	J.M.

COPYRIGHT 2005 BRASSTECH, INC. THESE DRAWINGS AND THE DESIGNS DEPICTED HERE IN ARE THE PROPRIETARY PROPERTY OF BRASSTECH. ANY USE OR REPRODUCTION IS SUBJECT TO THE EXPRESS APPROVAL OF BRASSTECH. UNAUTHORIZED USE IS STRICTLY PROHIBITED. ALL RIGHTS RESERVED.

TESTING	ASSEMBLY	PLATING	POLISHING	MACHINING	TOOLING FIXTURE #	APPLICATION
-	-	-	-	-	-	REMOVE ALL BURRS AND SHARP EDGES

UNITS ARE: INCHES [MM]  
TOLERANCES ARE:  
FRACTIONS DECIMALS ANGLES  
 $\pm 1/16''$   $.X \pm .1$  [2,5]  $\pm 1^\circ$   
 $.XX \pm .06$  [1,5]

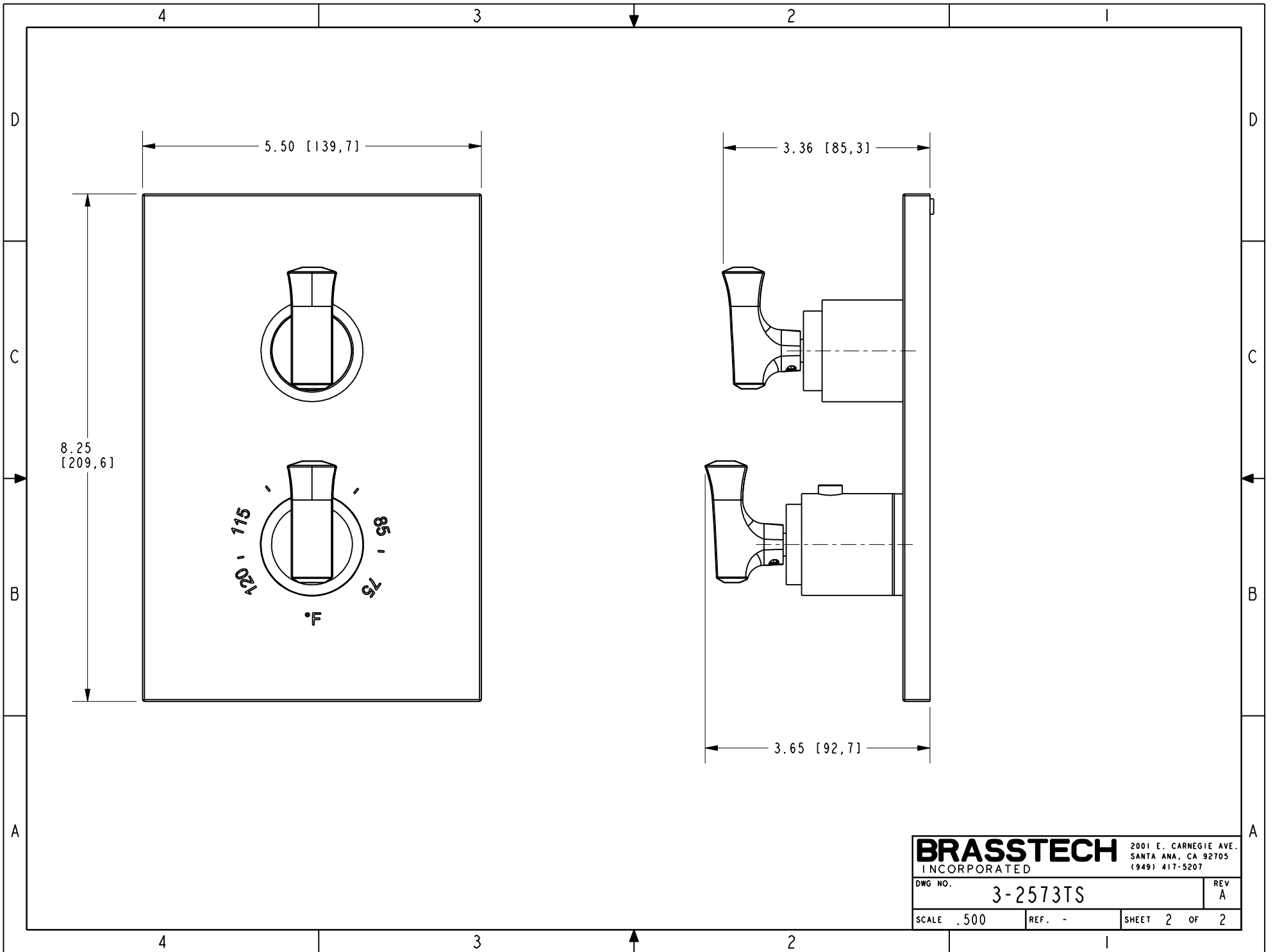
(X.XXX) DENOTES CRITICAL DIMS. ALL THREADS ARE CRITICAL

DRAWN AMARISH 01/17/17  
CHECKED RAVINDRA 01/17/17  
APPROVED R.S 01/17/17

**BRASSTECH** 2001 CARNEGIE AVE. SANTA ANA, CA 92705 (949) 417-5207  
INCORPORATED

THERMO TUB / SHOWER

DWG NO. 3-2573TS REV A  
SCALE .375 REF. - SHEET 1 OF 2



<b>BRASSTECH</b>		2001 E. CARNEGIE AVE.
INCORPORATED		SANTA ANA, CA 92705
		(949) 417-5207
DWG NO.	3-2573TS	REV A
SCALE .500	REF. -	SHEET 2 OF 2