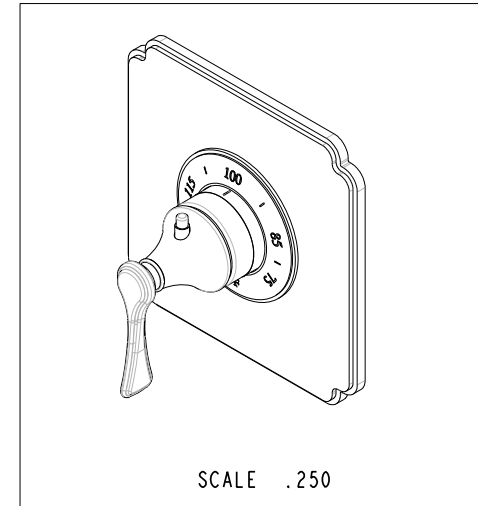
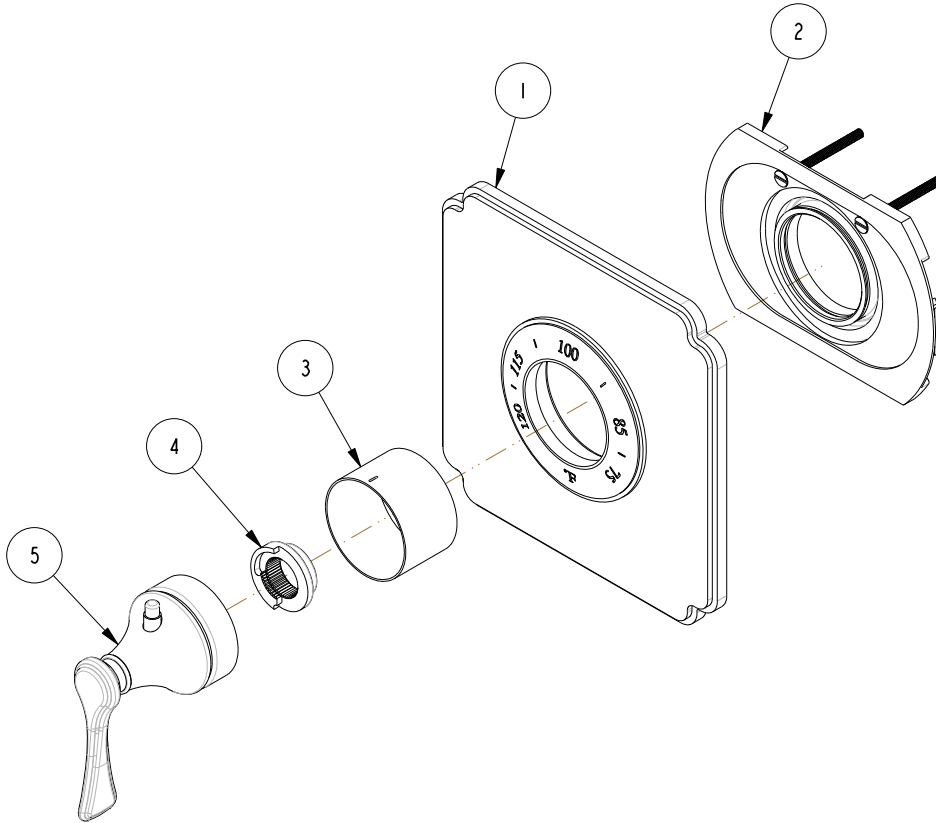


NOTES:

(NI) 1. FIT / FORM / FUNCTION SHALL FOLLOW PS-E.008.

**BILL OF MATERIAL (CURRENT LEVEL)**

ITEM	PT/ASSY	DESCRIPTION	TYPE	QTY.
1	12122	THERMO SHOWER PLATE	PART	1
2	1-331	THERMO WALL PLATE ASM	ASSEMBLY	1
3	11029	SLEEVE - THERMO	PART	1
4	91308	TEMP LIMIT STOP - THERMO	PART	1
5	2-809	THERMO BONNET W/ LEVER HANDLE	ASSEMBLY	1



-	D	EN-2027b	07/07/15	AN
-	C	EN-2161f	02/27/15	JM
-	B	EN-1592d	04/07/14	-
-	A	EN-1825	07/12/11	-
-	-	EN-1735	06/10/11	-
ZONE	REV	DESCRIPTION	DATE	APPROVED

COPYRIGHT 2005 BRASSTECH, INC. THESE DRAWINGS AND THE DESIGNS DEPICTED HEREIN ARE THE PROPRIETARY PROPERTY OF BRASSTECH. ANY USE OR REPRODUCTION IS SUBJECT TO THE EXPRESS APPROVAL OF BRASSTECH. UNAUTHORIZED USE IS STRICTLY PROHIBITED. ALL RIGHTS RESERVED.

TESTING	-	-	-
ASSEMBLY	-	-	-
PLATING	-	-	-
POLISHING	-	NEXT ASSY	USED ON
MACHINING	-	APPLICATION	
TOOLING FIXTURE #	REMOVE ALL BURRS AND SHARP EDGES		

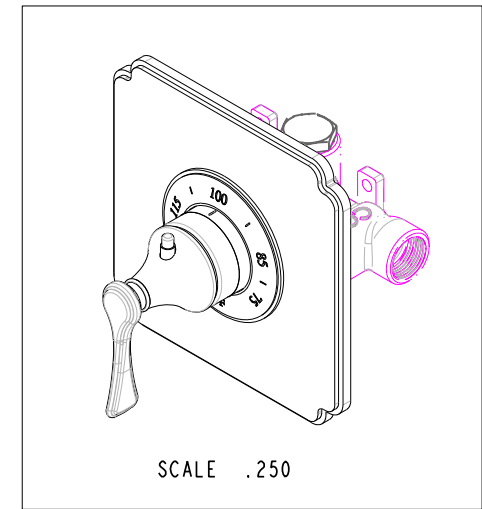
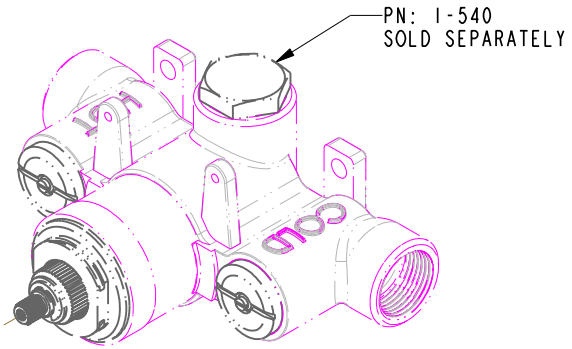
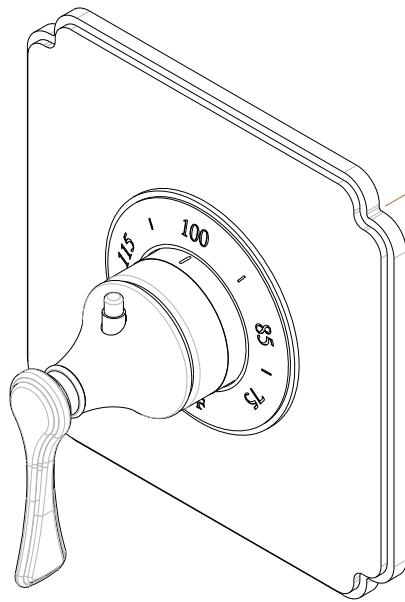
UNITS ARE: INCHES [MM]	
TOLERANCES ARE:	
FRACTIONS DECIMALS	ANGLES
±1/16"	±1°
.X ±.1 [2.5]	
.XX ±.06 [1.5]	
(X.XXX) DENOTES CRITICAL DIMS.	
ALL THREADS ARE CRITICAL	
DRAWN	RAVINDRA 02/27/15
CHECKED	RK PAI 02/27/15
APPROVED	JINSON 02/27/15

**BRASSTECH** 2001 CARNEGIE AVE.  
INCORPORATED SANTA ANA, CA 92705  
(949) 417-5207

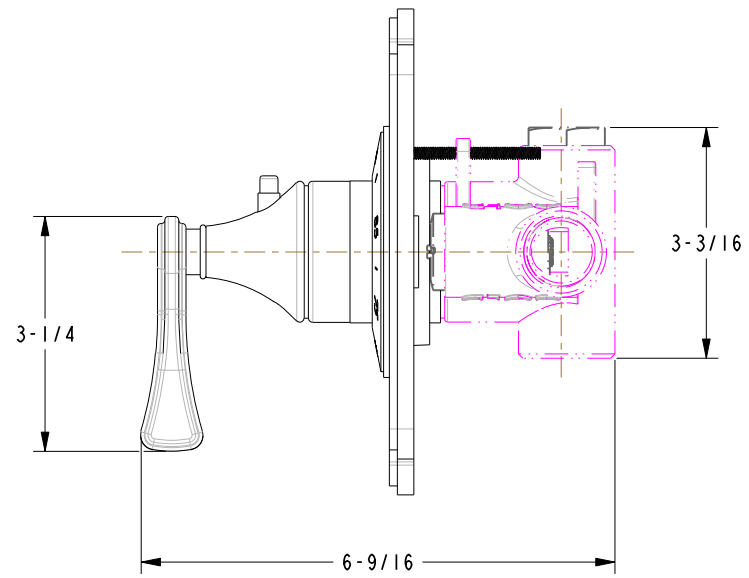
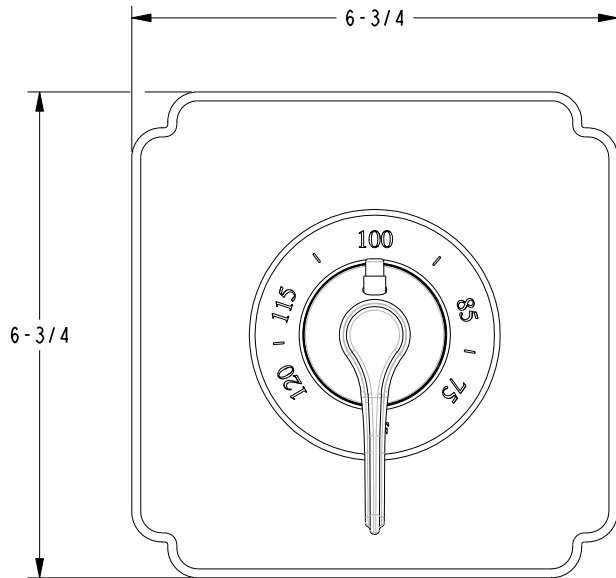
**THERMOSTATIC TRIM PLATE WITH LEVER HANDLE**

DWG NO. **3-2534TS** REV D

SCALE .300 REF. - SHEET 1 OF 3



<b>BRASSTECH</b>		2001 E. CARNEGIE AVE.	
INCORPORATED		SANTA ANA, CA 92705	
DWG NO. 3-2534TS		REV D	
SCALE .400	REF. -	SHEET 2 OF 3	



<b>BRASSTECH</b>		2001 E. CARNEGIE AVE.	
INCORPORATED		SANTA ANA, CA 92705	
		(949) 417-5207	
DWG NO.	3-2534TS	REV	D
SCALE .375	REF. -	SHEET 3	OF 3