

4

3

2

1

NOTES:

(NI) 1. FIT / FORM / FUNCTION SHALL FOLLOW PS-E.008.

BILL OF MATERIAL (CURRENT LEVEL)

ITEM	PT/ASSY	DESCRIPTION	TYPE	QTY.
1	8-011	BP SHOWER PLATE ASM	ASSEMBLY	1
2	20-298	BP LEVER HANDLE ASM	ASSEMBLY	1
3	80020	SHOWER ARM	PART	1
4	2142	TRAD. SHOWER HEAD - SINGLE JET	ASSEMBLY	1

D

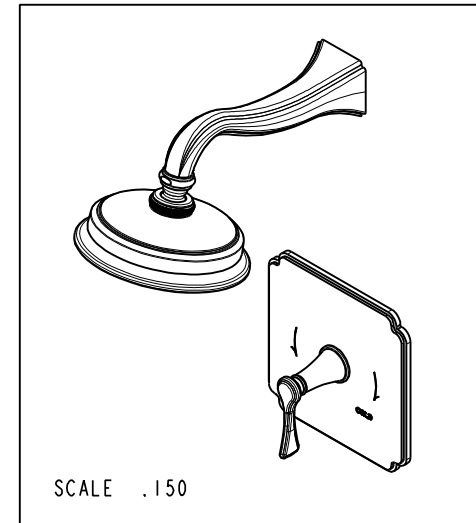
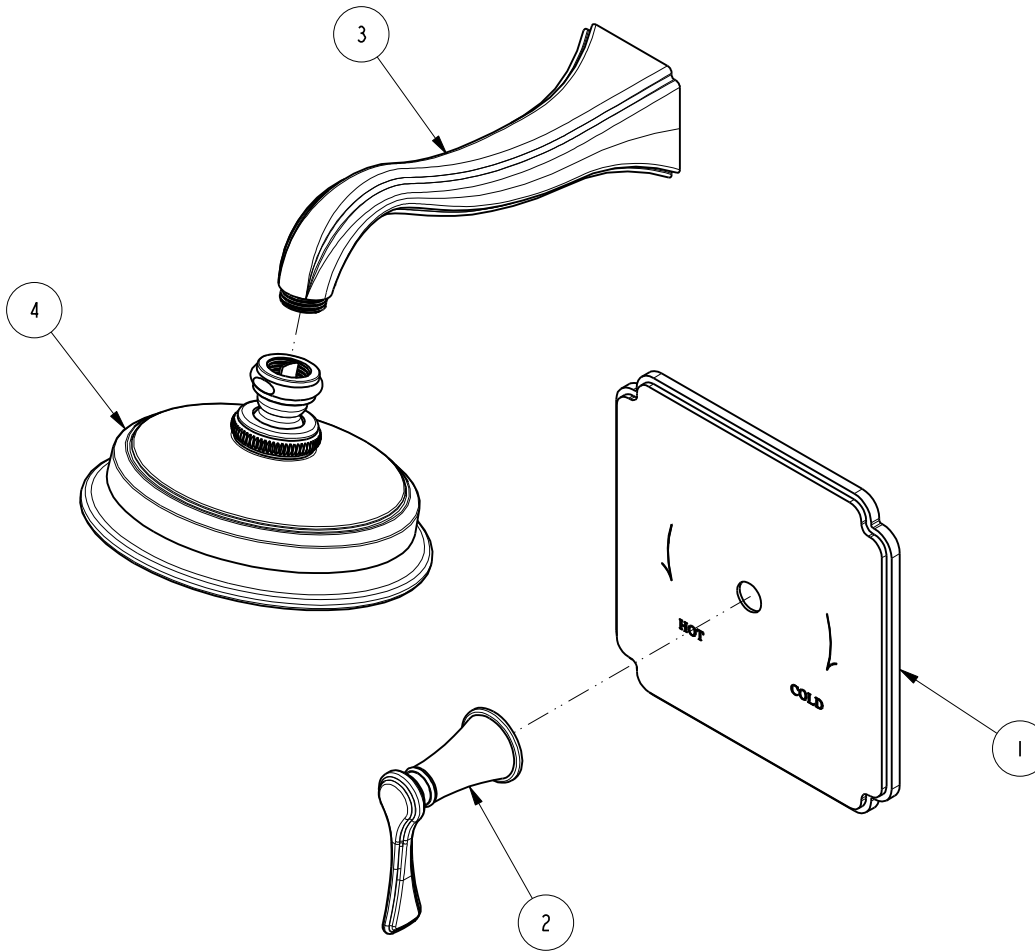
D

C

C

B

B



A

A

-	F	EN-3435	01/18/18	J.A.
-	E	EN-3113	08/11/16	J.A.
-	D	EN-2027b	07/07/15	AN
-	C	EN-2068	02/09/12	AN
-	B	EN-2027	01/13/12	AN
-	A	EN-1805	06/29/11	JM
-	-	EN-1735	06/10/11	JM
ZONE	REV	DESCRIPTION	DATE	APPROVED

COPYRIGHT 2005 BRASSTECH, INC. THESE DRAWINGS AND THE DESIGNS DEPICTED HEREIN ARE THE PROPRIETARY PROPERTY OF BRASSTECH. ANY USE OR REPRODUCTION IS SUBJECT TO THE EXPRESS APPROVAL OF BRASSTECH. UNAUTHORIZED USE IS STRICTLY PROHIBITED. ALL RIGHTS RESERVED.

TESTING	-	-	-	-
ASSEMBLY	-	-	-	-
PLATING	-	-	-	-
POLISHING	-	NEXT ASSY	USED ON	-
MACHINING	-	APPLICATION		-
TOOLING FIXTURE #	REMOVE ALL BURRS AND SHARP EDGES			-

UNITS ARE: INCHES [MM]	
TOLERANCES ARE:	
FRACTIONS DECIMALS	ANGLES
±1/16"	±1°
.X ±.1 [2.5]	
.XX ±.06 [1.5]	
(X.XXX) DENOTES CRITICAL DIMS. ALL THREADS ARE CRITICAL	
DRAWN	JINSON 01/18/18
CHECKED	J.A. 01/18/18
APPROVED	J.A. 01/18/18

BRASSTECH 2001 CARNEGIE AVE. SANTA ANA, CA 92705 (949) 417-5207
INCORPORATED

BP SHOWER TRIM SET W/
LEVER HANDLE

DWG NO. 3-2534BP REV F

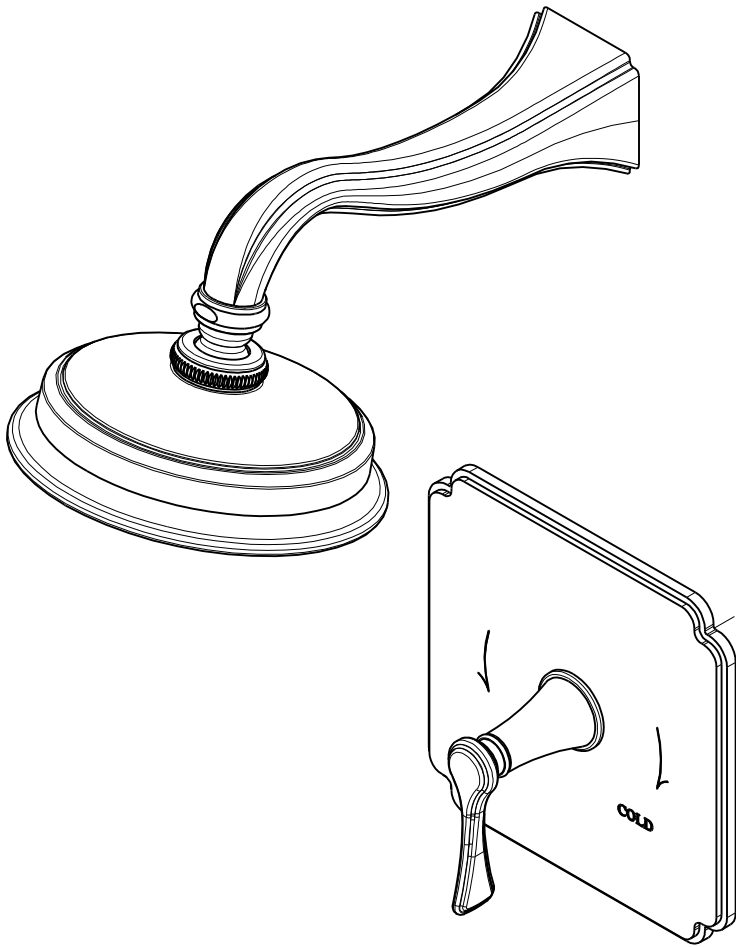
SCALE .300 REF. - SHEET 1 OF 3

4

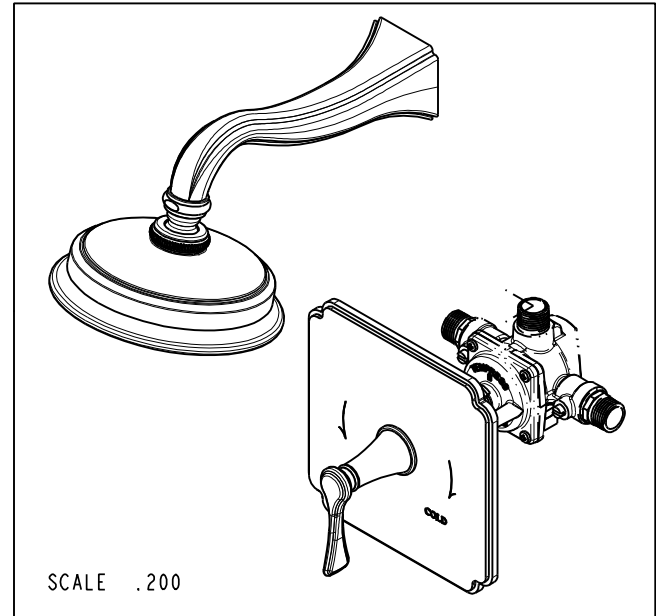
3

2

1



PN: 1-594
SOLD SEPARATELY

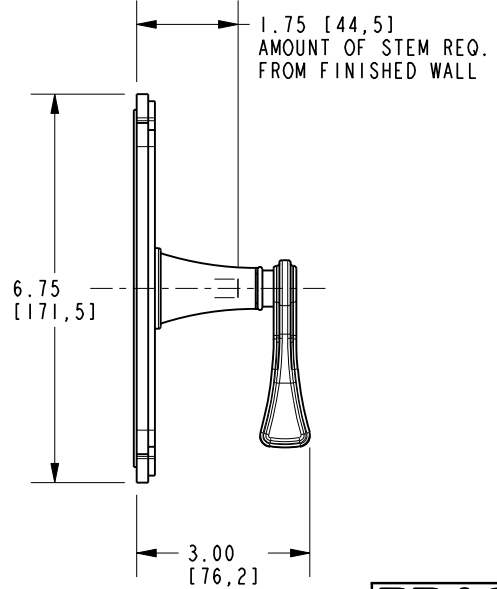
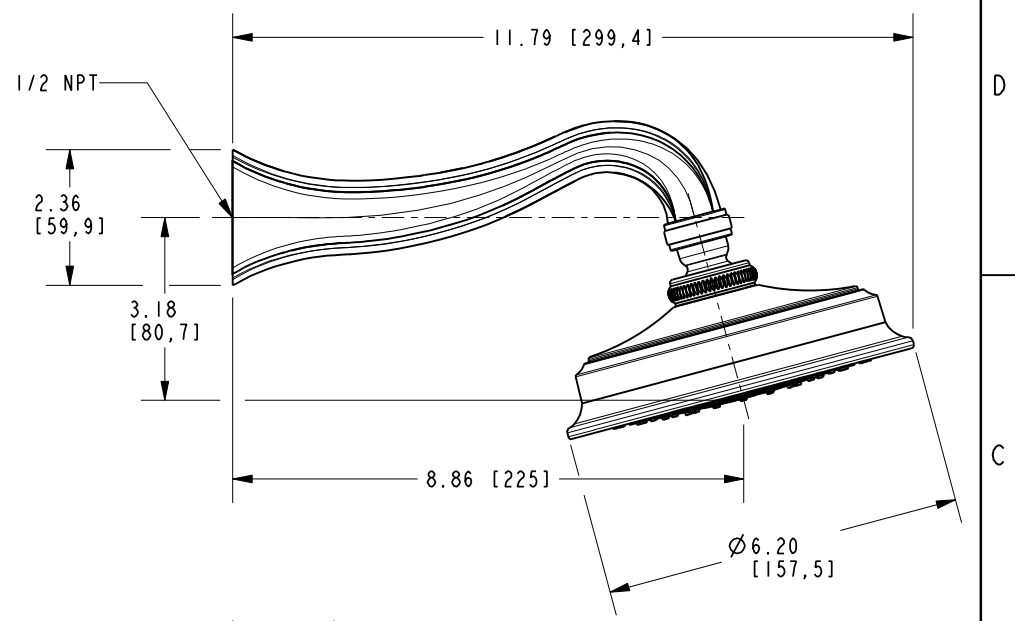
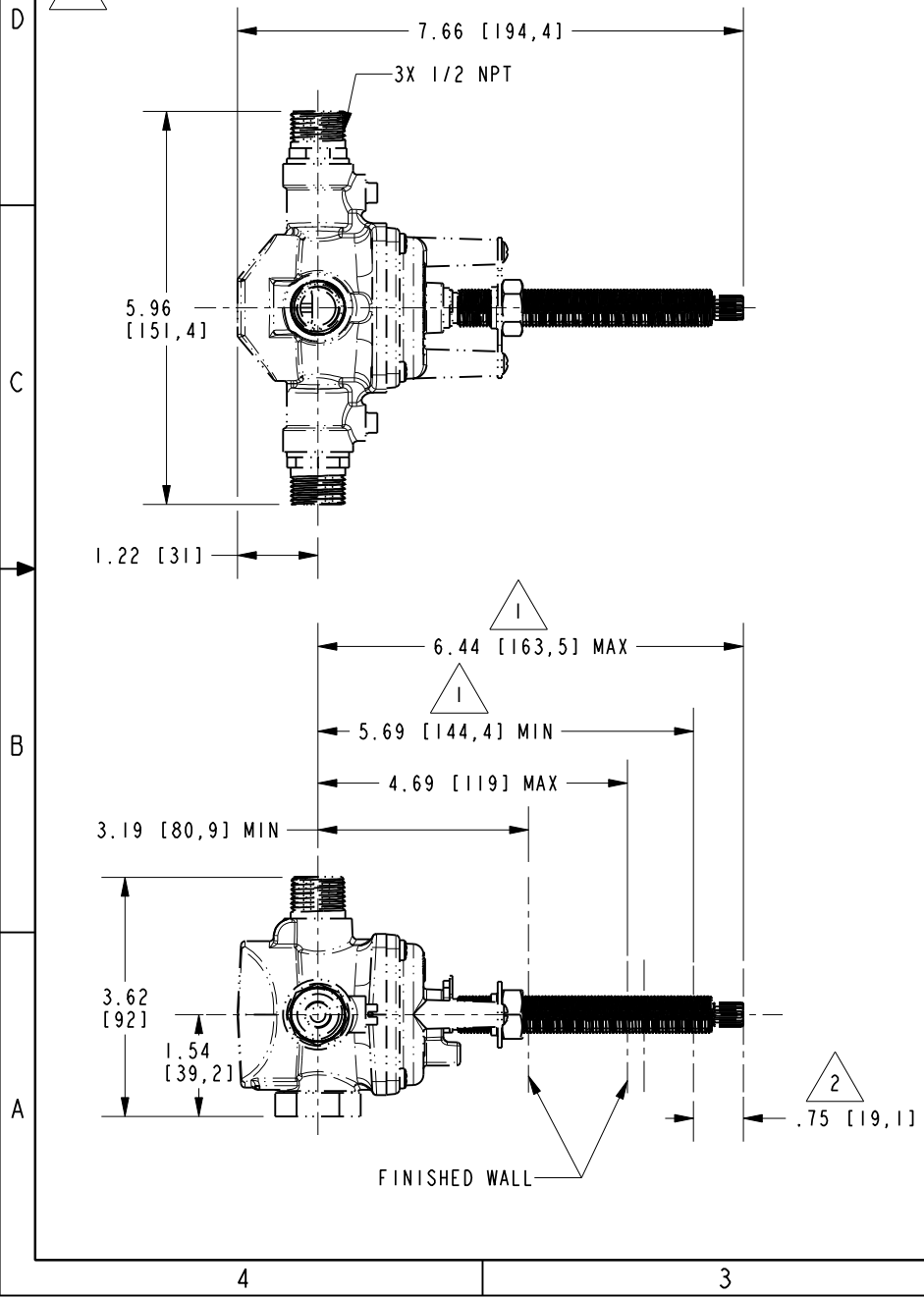


SCALE .200

BRASSTECH		2001 E. CARNEGIE AVE.	
INCORPORATED		SANTA ANA, CA 92705	
DWG NO. 3-2534BP		REV F	
SCALE .325	REF. -	SHEET 2 OF 3	

NOTES:

- 1 CUT STEM TO DIMENSION SHOWN.
- 2 CUT ALL-THREAD 0.75" SHORTER THAN STEM.



BRASSTECH		2001 E. CARNEGIE AVE.	
INCORPORATED		SANTA ANA, CA 92705	
DWG NO. 3-2534BP		REV F	
SCALE .350	REF. -	SHEET 3 OF 3	