

4

3

2

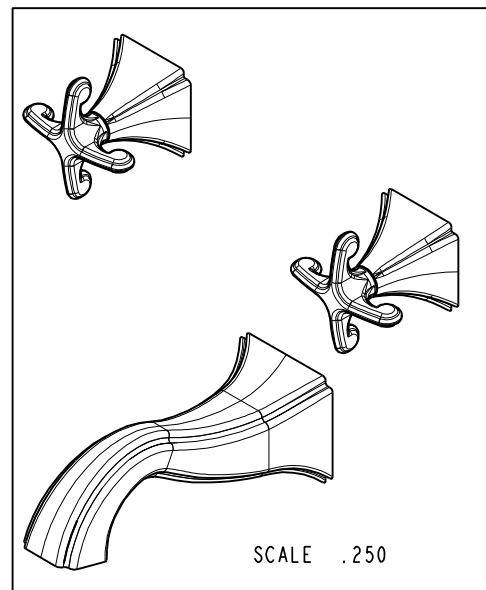
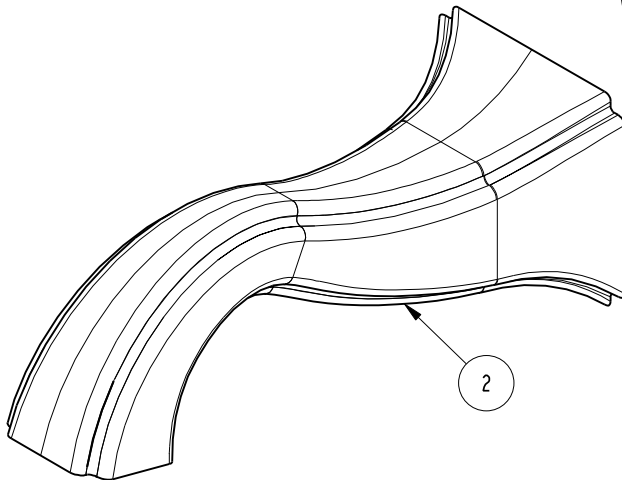
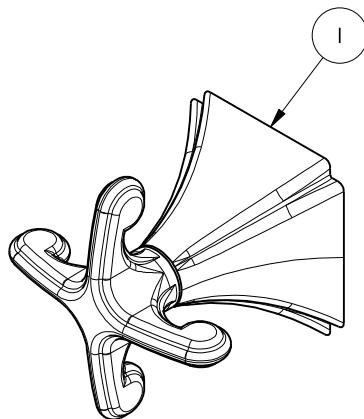
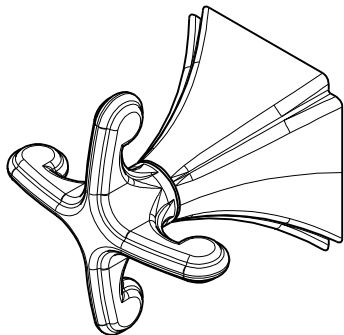
1

NOTES:

(N1) 1. FIT / FORM / FUNCTION SHALL FOLLOW PS-E.008.

BILL OF MATERIAL (CURRENT LEVEL)

ITEM	PT/ASSY	DESCRIPTION	TYPE	QTY.
1	3-607	CROSS HANDLE ASM	ASSEMBLY	2
2	8-009	TUB WALL SPOUT ASM	ASSEMBLY	1



D

C

B

A

D

C

B

A

ZONE	REV	DESCRIPTION	DATE	APPROVED
-	C	EN-3435	01/23/18	J.A.
-	B	EN-3072	06/13/16	J.M.
-	A	EN-1907	09/23/11	-
-	-	EN-1735	06/10/11	-

COPYRIGHT 2005 BRASSTECH, INC. THESE DRAWINGS AND THE DESIGNS DEPICTED HEREIN ARE THE PROPRIETARY PROPERTY OF BRASSTECH. ANY USE OR REPRODUCTION IS SUBJECT TO THE EXPRESS APPROVAL OF BRASSTECH. UNAUTHORIZED USE IS STRICTLY PROHIBITED. ALL RIGHTS RESERVED.

TESTING	ASSEMBLY	PLATING	POLISHING	MACHINING	TOOLING	FIXTURE #	APPLICATION
-	-	-	-	-	-	-	REMOVE ALL BURRS AND SHARP EDGES
-	-	-	-	-	-	-	USED ON
-	-	-	-	-	-	-	APPLICATION

UNITS ARE: INCHES [MM]	
TOLERANCES ARE:	
FRACTIONS DECIMALS	ANGLES
±1/16"	±1°
.X ±.1 [2.5]	
.XX ±.06 [1.5]	
(X.XXX) DENOTES CRITICAL DIMS. ALL THREADS ARE CRITICAL	
DRAWN	JINSON 01/23/18
CHECKED	J.A. 01/23/18
APPROVED	J.A. 01/23/18

BRASSTECH 2001 CARNEGIE AVE. SANTA ANA, CA 92705 (949) 417-5207
INCORPORATED

W/M TUB FAUCET-CROSS HANDLES

DWG NO. 3-2525 REV C

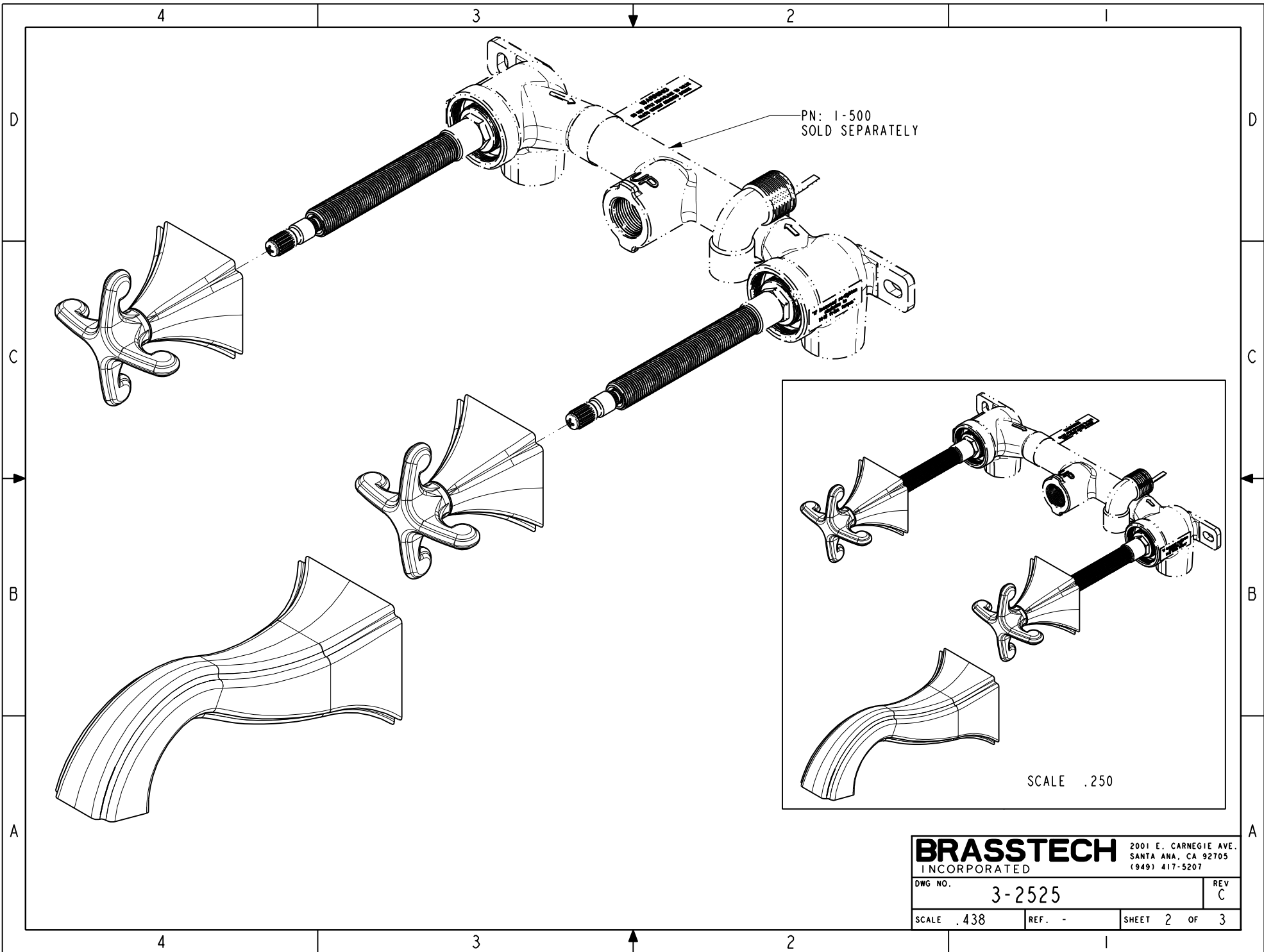
SCALE .500 REF. - SHEET 1 OF 3

4

3

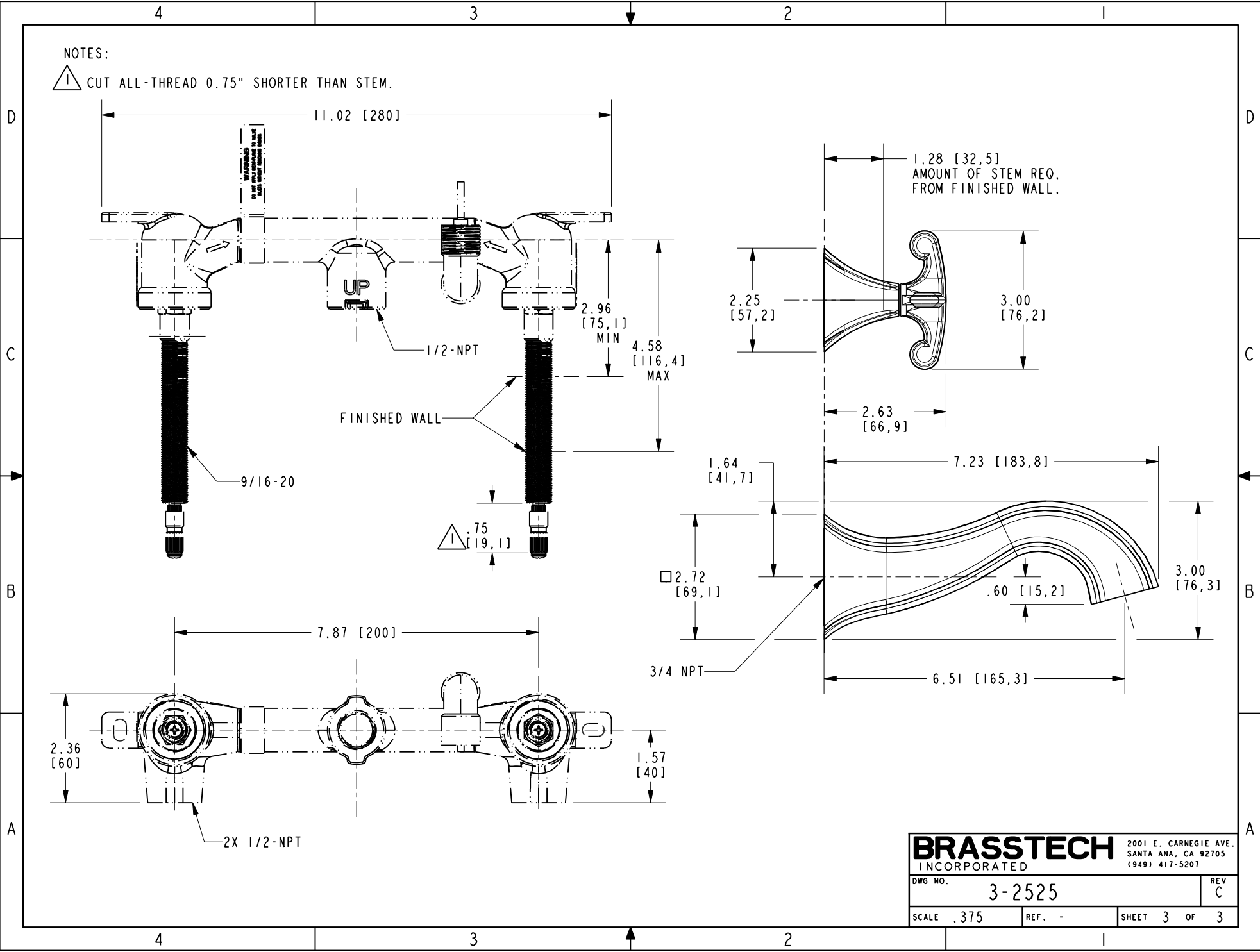
2

1



NOTES:

1 CUT ALL-THREAD 0.75" SHORTER THAN STEM.



BRASSTECH		2001 E. CARNEGIE AVE.	
INCORPORATED		SANTA ANA, CA 92705	
DWG NO. 3-2525		REV C	
SCALE .375	REF. -	SHEET 3	OF 3